



Department of Management Services
Purchasing Division
241 West South Street
Kalamazoo, MI 49007-4796
Phone: 269.337.8020
Fax: 269.337.8500
www.kalamazoocity.org
purchasing@kalamazoocity.org

INVITATION FOR BIDS (IFB)

The City of Kalamazoo, Michigan is soliciting sealed bids for:

Project Name: 2023 Cold Milling of City Streets

Bid Reference #: 91384-005.0

IFB ISSUE DATE: January 24, 2023

**BID DUE/OPENING DATE: February 14, 2023 at 3:30
p.m.**

Facsimile Bids Will Not Be Accepted.

MAILING ADDRESS & INSTRUCTIONS

Mail To:

Purchasing Division
241 W. South Street
Kalamazoo, MI 49007

Questions for this IFB should be directed to:

Department Contact: Anthony Ladd, PE,
Public Works Division Manager at
ladda@kalamazoocity.org or (269)337-8717

Include on the Envelope the Project Name and Bid Reference Number. All Envelopes Must Be Sealed.

You are invited to submit a bid for this project. Specifications, terms, conditions and instructions for submitting bids are contained herein. This Invitation for Bids with all pages, documents and attachments contained herein, or subsequently added to and made a part hereof, submitted as a fully and properly executed bid shall constitute the contract between the City and the successful bidder when approved and accepted on behalf of the City by an authorized official or agent of the City. Please review the bid document as soon as possible and note the **DEADLINE FOR QUESTIONS** in the Instructions to Bidders.

All bidders shall complete and return the Bid and Award page(s) and submit all information requested herein in order for a bid to be responsive. The bid document shall be returned in its entirety, in a properly identified and sealed envelope to the Purchasing Division at the above address. **BIDS MUST BE RECEIVED BEFORE THE DUE DATE - LATE BIDS WILL NOT BE CONSIDERED.** The City reserves the right to postpone the bid opening for its own convenience.

TABLE OF CONTENTS

Table of Contents

STATEMENT OF NO BID5

SECTION I INSTRUCTIONS FOR BIDDERS.....6

1. EXAMINATION OF BID DOCUMENT.....6

2. PREPARATION OF BID6

3. EXPLANATION TO BIDDERS6

4. CASH DISCOUNTS.....6

5. WITHDRAWAL OF BIDS6

6. ALTERNATE BIDS6

7. LATE BIDS7

8. UNIT PRICES.....7

SECTION II BID AND AWARD8

CITY OF KALAMAZOO EX-OFFENDER POLICY CHECKLIST.....10

CITY OF KALAMAZOO LOCAL PREFERENCE POLICY AND CERTIFICATION.....11

SUB-CONTRACTING INFORMATION.....13

REFERENCE QUESTIONNAIRE.....14

COVID-19 ADDENDUM #216

SECTION III CITY OF KALAMAZOO INDEMNITY AND INSURANCE17

SECTION IV SPECIAL REQUIREMENTS.....19

1. BID BOND/GUARANTEE19

2. WAIVERS OF LIEN19

3. SUBCONTRACTORS.....20

SECTION V SPECIAL CONDITIONS21

1. INTENT21

2. SCOPE OF WORK.....21

3. UNIT PRICING22

4. TEMPORARY UTILITIES22

5. PROGRESS SCHEDULE.....22

6. RESPONSIVENESS.....23

7. LIQUIDATED DAMAGES23

8. MAINTAINING TRAFFIC23

9. COORDINATING25

10. WORK HOURS25

SECTION VI GENERAL CONDITIONS.....26

1. PROJECT MANAGER’S STATUS.....26

2.	CONSTRUCTION SCHEDULE AND COORDINATION.....	26
3.	PROTECTION OF WORK	26
4.	PROTECTION OF PROPERTY	27
5.	REMOVAL OF RUBBISH	27
6.	BRICK SIDEWALK OR PAVEMENT REMOVAL	27
7.	REMOVAL OF PERMANENT TRAFFIC SIGNS AND POSTS.....	27
8.	PERMANENT TRAFFIC SIGN STAKING.....	27
9.	LAWN SPRINKLER SYSTEMS.....	27
10.	SALVAGING DRAINAGE STRUCTURE COVERS.....	27
11.	REMOVING AND REPLACING CURB AND GUTTER.....	28
12.	DRAINAGE INLET COVERS (K COVERS)	28
13.	FLY ASH USE IN CONCRETE ITEMS.....	28
14.	EXISTING WATER MAINS.....	28
15.	GRADE INTERSECTIONS	28
16.	UNDERGROUND UTILITIES	28
17.	ADJUSTING MONUMENT BOXES	28
18.	PAVEMENT REMOVAL QUANTITIES.....	28
19.	COLD MILLING	28
20.	SITE SECURITY	29
21.	SITE ACCESS	29
22.	MATERIALS INSPECTION AND RESPONSIBILITY	29
23.	GUARANTEE.....	29
24.	SAFETY	29
25.	SPECIFICATIONS FOR CONSTRUCTION.....	29
26.	QUANTITIES	29
27.	PRICE.....	29
28.	BASIS FOR PAYMENT.....	30
29.	PAY ESTIMATES	30
30.	PAYMENT TO CONTRACTOR	30
31.	INSPECTION OF WORK	30
32.	INSPECTION OF SITE	30
33.	LAYING OUT OF WORK	31
34.	SUPERVISION	31
35.	TARDINESS	31
36.	ADDITIONS	31
37.	INSPECTION AND TESTING	31
38.	QUESTIONS.....	31

SECTION VII TERMS AND CONDITIONS32

- 1. **AWARD OF CONTRACT**32
- 2. **COMPLETE CONTRACT**32
- 3. **SUBCONTRACTORS – NON-ASSIGNMENT**32
- 4. **TAXES**32
- 5. **INVOICING**.....33
- 6. **PAYMENTS**33
- 7. **CHANGES AND/OR CONTRACT MODIFICATIONS**33
- 8. **LAWS, ORDINANCES, AND REGULATIONS**33
- 9. **RIGHT TO AUDIT**.....34
- 10. **HOLD HARMLESS**.....34
- 11. **DEFAULT**.....34
- 12. **TERMINATION OF CONTRACT**.....35
- 13. **INDEPENDENT CONTRACTOR**35
- 14. **PROJECT SUPERVISOR**.....35
- 15. **MEETINGS**.....35
- 16. **INSPECTION OF WORKSITE**36
- 17. **CONTRACT PERIOD, EXTENSIONS, CANCELLATION**36

APPENDIX A NON-DISCRIMINATION CLAUSE FOR ALL CITY OF KALAMAZOO CONTRACTS
.....37

[APPENDIX B ADDITIONAL INFORMATION](#)39

STATEMENT OF NO BID

NOTE: If you DO NOT intend to bid on this commodity or service, please complete and return this form immediately. Your response will assist us in evaluating all responses for this important project and to improve our bid solicitation process.

The Purchasing Division of the City of Kalamazoo wishes to keep its bidders list file up-to-date. If, for any reason you cannot supply the commodity/service noted in this bid solicitation, this form must be completed and returned to remain on the particular bid list for future projects of this type.

If you do not respond to this inquiry within the time set for the bid opening date and time noted, we will assume that you can no longer supply this commodity/service, and your name will be removed from this bid list.

- _____ Specifications too "tight", i.e. geared toward one brand/ manufacturer only (explain below).
- _____ Specifications are unclear (explain below).
- _____ We are unable to meet specifications.
- _____ Insufficient time to respond to the Invitation for Bid.
- _____ Our schedule would not permit us to perform.
- _____ We are unable to meet bond requirements.
- _____ We are unable to meet insurance requirements.
- _____ We do not offer this product or service.
- _____ Remove us from your bidders list for this commodity or service.
- _____ Other (specify below).

REMARKS: _____

SIGNED: _____ NAME: _____
(Type or Print)

TITLE: _____ DATE: _____

FIRM NAME: _____
(if any)

ADDRESS: _____
(Street address) (City) (State) (Zip)

PHONE: _____ FAX: _____

EMAIL: _____

SECTION I INSTRUCTIONS FOR BIDDERS

1. EXAMINATION OF BID DOCUMENT

Before submitting a bid, bidders shall carefully examine the specifications and shall fully inform themselves as to all existing conditions and limitations. The bidder shall indicate in the bid the sum to cover the cost of all items included on the bid form.

2. PREPARATION OF BID

The bid shall be legibly prepared in ink or typed. If a unit price or extension already entered by the bidder on the Bid and Award form is to be altered, it shall be crossed out and the new unit price or extension entered above or below and initialed by the bidder with ink. The bid shall be legally signed and the complete address of the bidder given thereon.

All bids shall be tightly sealed in an envelope plainly marked SEALED BID and identified by project name, bid opening date and time. Bids opened by mistake, due to improper identification, will be so documented and resealed. The Purchasing Division will maintain and guarantee confidentiality of the contents until the specified opening date and time. Bids submitted by Fax machine will not be accepted.

3. EXPLANATION TO BIDDERS

Any binding explanation desired by a bidder regarding the meaning or interpretation of the Invitation for Bid (IFB) and attachments must be requested in writing, **at least 5 business days before the bid opening** so a reply may reach all prospective bidders before the submission of bids. Any information given to a prospective bidder concerning the IFB will be furnished to all prospective bidders as an amendment or addendum to the IFB if such information would be prejudicial to uninformed bidders. Receipt of amendments or addenda by a bidder must be acknowledged in the bid by attachment, or by letter or fax received before the time set for opening of bids. Oral explanation or instructions given prior to the opening will not be binding.

4. CASH DISCOUNTS

Discount offered for payment of less than thirty (30) days will not be considered in evaluating bids for award. Offered discounts of less than thirty (30) days will be taken if payment is made within the discount period, even though not considered in evaluation of the bid.

5. WITHDRAWAL OF BIDS

Bids may be withdrawn in person by a bidder or authorized representative, provided their identity is made known and a receipt is signed for the bid, but only if the withdrawal is made prior to the exact time set for receipt of bid. No bid may be withdrawn for at least ninety (90) days after bid opening.

6. ALTERNATE BIDS

bidders are cautioned that any alternate bid, unless specifically requested or any changes, insertions or omissions to the terms and conditions, specifications or any other requirement of this IFB may be considered non-responsive, and at the option of the City, result in rejection of the alternate bid.

7. LATE BIDS

Any bid received at the office designated herein after the exact time specified for receipt will not be considered. (Note: The City reserves the right to consider bids that have been determined by the City to be received late due to mishandling by the City after receipt of the bid and no award has been made).

8. UNIT PRICES

If there is a discrepancy between unit prices and their extension, unit prices shall prevail.

SECTION II
BID AND AWARD

The undersigned having become thoroughly familiar with all of the bid/contract documents incorporated herein, the project site and the location conditions affecting the work, hereby proposes to perform everything required to be performed in strict conformity with the requirements of these documents, and to provide and furnish all the equipment, labor and materials necessary to complete, in a professional manner, the furnishing and installing of all of the following, meeting or exceeding the specifications as set forth herein for the prices as stated below.

2023 COLD MILLING OF CITY STREETS PROJECTS

<u>Street</u>	<u>From</u>	<u>To</u>	<u>Depth (in)</u>	<u>SYD</u>
Moreland St	Nottingham	Winton	3	9,600
Duke St	Kilgore	Denway	3	10,400
N Sage St	Stonebrook	Main	3	6,900
North St	Westnedge	Burdick	1.5	7,400
Winchell Ave	Deadend	Rambling	3	11,185
Gembrit Cir	Cork	Cork	3	11,300
			TOTAL	56,785

TOTAL SQ YDS = 56,785 x UNIT PRICE \$ _____ = TOTAL PRICE \$ _____

SCATTERED SITES

The approximate estimated amount of milling required to be done at various sites within the city limits as per Engineer’s discretion will be 20,000 Sq. Yards. The HMA pavement milling will be measured and paid using this item.

TOTAL SQ YDS = 20,000 x UNIT PRICE \$ _____ = TOTAL PRICE \$ _____

Bidder shall provide all of the information as requested herein with their bid. Failure to do so and/or failure to provide post-bid requested information may be cause for rejecting the bid as non-responsive.

After receipt of Notice to Proceed, work shall start within two weeks, unless otherwise agreed to by the Project Manager, and shall be completed by 12.31.23.

Bidder/Contractor has examined and carefully studied the bidding documents and attachments, and acknowledges receipt of the following addenda:

Addendum No: _____

Date: _____

By my signature below, I certify that the firm bidding on this contract, when making hiring decisions, does not use a past criminal conviction as a bar to or preclude a person with a criminal conviction from being considered for employment with the bidding firm unless otherwise precluded by federal or state law. I further certify that I have read and agree to be bound by the provisions of the City’s Non-Discrimination Clause found in Appendix A as updated by City Ordinance 1856.

Signed: _____ Name: _____

Title: _____

CITY OF KALAMAZOO EX-OFFENDER POLICY CHECKLIST

As part of the City’s commitment to reducing unacceptable poverty, encouraging rehabilitation, reducing recidivism and strengthening families in Kalamazoo, the City has updated its Purchasing Policy to ensure that firms with whom the City does business share in this commitment by utilizing hiring practices that do not unfairly deny people with arrest and conviction records gainful employment. *(Important: This requirement also extends to any subcontractors the bidder intends to use to fulfill the contract for goods or services being sought from the City.)*

Part I: Proof that the bidder does not inquire about an individual’s past arrest or criminal history on the bidder’s employment application form

- Attach a copy of the current application for employment being used by the bidder

Part II: Certification that the bidder does not use an individual’s past arrest or criminal history to unlawfully discriminate against them by checking one or more of the following:

- That pursuant to federal or state law bidder is precluded from hiring persons with certain criminal records from holding particular positions or engaging in certain occupations by providing a cite to the applicable statute or regulation; if checking this box, provide a citation to the applicable statute or rule upon which the bidder is relying: _____
- That bidder conducts criminal history background checks only as necessary, and only after making a conditional offer of employment; that any withdrawal of an offer of employment to an individual because of a past criminal history is job-related and consistent with business necessity after the individual has been provided an individualized assessment opportunity to review and challenge or supplement the history of past criminal conduct being relied upon by the bidder.
- That the use by bidder of criminal history background checks complies with the U.S. Equal Employment Opportunity Commission’s Enforcement Guidance on the Consideration of Arrest and Conviction Records in Employment Decisions and that the bidder has not had a determination rendered against it in past 7 years that it discriminated against a person through the use of an individual’s arrest or criminal history

I CERTIFY THAT THE ABOVE STATEMENTS ARE TRUE.

Date

Signature

Printed Name

Position

CITY OF KALAMAZOO LOCAL PREFERENCE POLICY AND CERTIFICATION

The lowest responsive Kalamazoo County bidder whose bid is not low but falls within 2% of the lowest responsive bid is afforded the opportunity to become the successful bidder if it agrees to reduce its bid to match the lowest responsive bid. The City of Kalamazoo is the sole determiner whether a bidder is responsible, qualifies as a Kalamazoo County bidder, and if its bid is responsive to the City’s specifications, terms and conditions.

If the lowest Kalamazoo County bidder chooses not to match the lowest bid, the next lowest responsive Kalamazoo County bidder whose bid falls within 2% of the lowest bid, is given the opportunity to match the lowest responsive bid.

To qualify as a Kalamazoo County bidder, the bidder must meet both the following criteria:

1. Have a physical presence in Kalamazoo County by maintaining a permanent office, factory or other facility in Kalamazoo County with employees working in Kalamazoo County.
2. Have paid real or personal property taxes related to said business to the City of Kalamazoo, County of Kalamazoo or other municipal corporation within Kalamazoo County in the previous tax year, except that a non-profit entity need not meet this requirement.

This local preference policy applies only to purchases for materials, supplies, capital outlay, and services for maintenance, repair or operation of City facilities that are over \$25,000. If more than 50% of the contract is sub-contracted to firms located outside of Kalamazoo County that bid does not qualify for the local preference policy outlined above. The local preference policy will not apply if prohibited by law. The Purchasing Agent has the authority to finally determine if the bidder qualifies as a Kalamazoo County bidder as set forth herein. The Purchasing Agent may take into account the permanency of the business in Kalamazoo, and whether the business appears to be claiming to be a Kalamazoo County business solely or primarily to qualify as a Kalamazoo County business under this Resolution, and any other material factors.

CERTIFICATION

If you qualify as a Kalamazoo County bidder and wish to be considered for the local preference provisions as provided above please certify that fact by providing the information requested below and attesting to its accuracy.

Firm Name: _____

Street Address of Business: _____

City, State, and Zip Code: _____

Number of employees working in Kalamazoo County: _____

Name the city or township to which business real and/or personal property taxes are paid or provide non-profit status: _____

The above information is accurate:

Signature: _____ Date: _____

Title: _____

Revised April 2008

REFERENCE QUESTIONNAIRE

Please answer the following questions completely.

1. Firm name: _____
2. Established: Year _____ Number of Employees: _____
3. Type of organization:
 - a. Individual: _____
 - b. Partnership: _____
 - c. Corporation: _____
 - d. Other: _____
4. Former firm name(s) if any, and year(s) in business:

5. Include at least 3 references of contracts for similar work performed over the last five (5) years. Include: owner, contact person and phone number and description of work performed.
 - a. Company Name: _____
Address: _____
Phone: _____
Contact: _____
Type of work or contract: _____
 - b. Company Name: _____
Address: _____
Phone: _____
Contact: _____
Type of work or contract: _____
 - c. Company Name: _____
Address: _____
Phone: _____
Contact: _____
Type of work or contract: _____

I hereby certify that all of the information provided is true and answered to the best of my ability.

Signed: _____ Name: _____
(type or print)

Title: _____ Date: _____

I hereby state that all of the information I have provided is true, accurate and complete. I hereby state that I have the authority to submit this bid which will become a binding contract if accepted by the City of Kalamazoo. I hereby state that I have not communicated with nor otherwise colluded with any other bidder, nor have I made any agreement with nor offered/accepted anything of value to/from an official or employee of the City of Kalamazoo that would tend to destroy or hinder free competition.

The firm's identification information provided will be used by the City for purchase orders, payment and other contractual purposes. If the contractual relationship is with, or the payment made to, another firm please provide a complete explanation on your letterhead and attach to your bid. Please provide for accounts payable purposes:

Tax Identification Number (Federal ID): _____

Remittance Address: _____

Financial Contact Name: _____ Financial Contact Phone Number: _____

Financial Contact Email Address: _____

I hereby state that I have read, understand and agree to be bound by all terms and conditions of this bid document.

SIGNED: _____ NAME: _____
(Type or Print)

TITLE: _____ DATE: _____

FIRM NAME: _____
(if any)

ADDRESS: _____
(Street address) (City) (State) (Zip)

PHONE: _____ FAX: _____

EMAIL ADDRESS: _____

FOR CITY USE ONLY - DO NOT WRITE BELOW

NOTE: This blanket addendum is for informational purposes only and does not need to be acknowledged by bidders in their submission.

COVID-19 ADDENDUM #2

January 1, 2022

**TO: ALL Prospective Bidders
PROJECT: ALL Upcoming Projects**

The purpose of this addendum is to clarify and/or modify the sealed bid delivery and bid opening process for all upcoming projects. All work affected is subject to all applicable terms and conditions of the Bidding and Contract Documents.

1. UPDATE TO SEALED BID DELIVERY AND BID OPENING POLICY:

Effective immediately and continuing until further notice, the City of Kalamazoo will return to IN-PERSON bid openings following City Hall guidelines, including Mask Mandate.

BIDS MUST BE RECEIVED BEFORE THE DUE DATE AND TIME – LATE BIDS WILL NOT BE CONSIDERED.

Bidders can submit sealed bids in one of the following ways:

- **Mail your bid**, to be received before the bid due date and time indicated in the bid document, to the City of Kalamazoo at the following address:
City of Kalamazoo
Purchasing Division
241 West South Street
Kalamazoo, MI 49007
- **Deliver your bid to the Treasurer’s Office Payment Drop Box** located in the northwest corner of City Hall before the bid due date and time indicated in the bid document.
- **Deliver your bid to City Hall In Person** before the bid due date and time indicated in the bid document.

All bids shall be tightly sealed in an envelope plainly marked SEALED BID and identified by project name, bid opening date and time. Bids opened by mistake, due to improper identification, will be so documented and resealed. The Purchasing Division will maintain and guarantee confidentiality of the contents until the specified opening date and time. Bids submitted by fax machine or email will not be accepted.

The Purchasing Division will post bid tabulations to the City of Kalamazoo website within 24 hours after the bid opening date and time at: <https://www.kalamazoo.org/bidopportunities>.

Questions regarding this sealed bid delivery and bid opening policy change related to the COVID-19 virus should be directed to the City of Kalamazoo at (269) 337-8020.

Sincerely,



Michelle Emig
Purchasing Division Manager

SECTION III CITY OF KALAMAZOO INDEMNITY AND INSURANCE

Contractor, or any of their subcontractors, shall not commence work under this contract until they have obtained the insurance required under this paragraph, and shall keep such insurance in force during the entire life of this contract. All coverage shall be with insurance companies licensed and admitted to do business in the State of Michigan and acceptable to the City of Kalamazoo within ten (10) days of the Notice of Award. The requirements below should not be interpreted to limit the liability of the Contractor. All deductibles and SIR's are the responsibility of the Contractor.

The Contractor shall procure and maintain the following insurance coverage:

Workers' Compensation Insurance including Employers' Liability Coverage, in accordance with all applicable statutes of the State of Michigan.

Commercial General Liability Insurance on an "Occurrence Basis" with limits of liability not less than \$1,000,000 per occurrence and aggregate. Coverage shall include the following extensions: (A) Contractual Liability; (B) Products and Completed Operations; (C) Independent Contractors Coverage; (D) Broad Form General Liability Extensions or equivalent, if not already included and (E) XCU coverage if the nature of the contract requires XC or U work.

Automobile Liability in accordance with all applicable statutes of the State of Michigan, with limits of liability not less than \$1,000,000 per occurrence, combined single limit for Bodily Injury, and Property Damage. Coverage shall include all owned vehicles, all non-owned vehicles, and all hired vehicles.

Additional Insured: Commercial General Liability and Automobile Liability, as described above, shall include an endorsement stating that the following shall be *Additional Insureds*: The City of Kalamazoo, all elected and appointed officials, all employees and volunteers, all boards, commissions, and/or authorities and board members, including employees and volunteers thereof. It is understood and agreed that by naming the City of Kalamazoo as additional insured, coverage afforded is considered to be primary and any other insurance the City of Kalamazoo may have in effect shall be considered secondary and/or excess.

To the fullest extent permitted by law the Contractor agrees to pay on behalf of, indemnify, and hold harmless the City of Kalamazoo, its elected and appointed officials, and employees against any claims, demands, suits, or loss, including all costs connected therewith, and for any damages which may be asserted, claimed, or recovered against or from the City of Kalamazoo, by reason of personal injury, including bodily injury or death and/or property damage, including loss of use thereof, caused in whole or part by any negligent act or omission by the Contractor, its employees, agents, or officers which arises out of, or is in any way connected or associated with, this contract.

INDEMNITY AND INSURANCE

Continued

Cancellation Notice: All policies, as described above, shall include an endorsement stating that it is understood and agreed that thirty (30) days, or ten (10) days for non-payment of premium, Advance Written Notice of Cancellation, Non-Renewal, Reduction, and/or Material Change shall be sent to: City of Kalamazoo, Purchasing Division, 241 W. South Street, Kalamazoo, MI 49007.

Proof of Insurance Coverage: The Contractor shall provide the City of Kalamazoo at the time that the contracts are returned by him/her for execution, or within 10 days of Notice of Award, whichever is earlier, a Certificate of Insurance as well as the required endorsements. In lieu of required endorsements, if applicable, a copy of the policy sections where coverage is provided for additional insured and cancellation notice would be acceptable. Copies or certified copies of all policies mentioned above shall be furnished, if so requested. If any of the above coverages expire during the term of this contract, the Contractor shall deliver renewal certificates and/or policies to City of Kalamazoo at least ten (10) days prior to the expiration date.

Scope of Coverage: The above requirements and conditions shall not be interpreted to limit the liability of the Contractor under this Contract, but shall be interpreted to provide the greatest benefit to the City and its officers and employees. The above listed coverages shall protect the Contractor, its employees, agents, representatives and subcontractors against claims arising out of the work performed. It shall be the Contractor's responsibility to provide similar insurance for each subcontractor or to provide evidence that each subcontractor carries such insurance in like amount prior to the time such subcontractor proceeds to perform under the contract.

SECTION IV SPECIAL REQUIREMENTS

1. BID BOND/GUARANTEE

The bid must be accompanied by a bid bond which shall not be less than five (5%) percent of the total amount of the bid. No bid will be considered unless it is accompanied by the required guarantee. The bid guarantee shall ensure the execution of the bid and award, and the furnishing of a performance bond and a labor and material bond (A and B below) by the successful bidder. (Contractors Note: A cashier's or certified check in lieu of a bid bond is **NOT** acceptable.)

A. PERFORMANCE BOND

A performance bond shall be furnished in the full amount of the contract ensuring the City of faithful performance of all the provisions of the contract, and the satisfactory performance of any equipment required hereunder. The bond shall also ensure the City against defective workmanship and/or materials.

B. LABOR AND MATERIAL (PAYMENT) BOND

A labor and material (payment) bond shall be furnished for the period covered by the contract, in the full amount of the contract for the protection of labor and material suppliers and sub-contractors.

Bonds shall be secured by a guaranty or a surety company listed in the latest issue of the U.S. Treasury, circular 570, and licensed to do business in the State of Michigan, and written in favor of the City of Kalamazoo. The amount of such bonds shall be within the maximum amount specified for such company in said circular 570. The bonds shall be accompanied by a power of attorney showing authority of the bonding agent to sign such bonds on behalf of the guaranty or surety company. The cost of the bonds shall be borne by the Contractor.

Failure of the Contractor to supply the required bonds within ten (10) days after Notice of Award, or within such extended period as the Purchasing Agent may agree to, shall constitute a default and the City of Kalamazoo may either award this contract to the next lowest bidder or re-advertise for bids and may charge against the Contractor for the difference between the amount of the bid and the amount for which a contract for the work is subsequently executed, irrespective of whether the amount thus due exceeds the amount of the bid bond. If a more favorable bid is received by re-advertising, the defaulting bidder shall have no claim against the City of Kalamazoo for a refund.

2. WAIVERS OF LIEN

Upon completion of all work and request for final payment, the Contractor shall furnish a 100% waiver of lien from each supplier and sub-contractor covering all items of the work. Failure to supply waivers of lien for the entire job upon completion and final payment request will be considered grounds for withholding final payment.

3. SUBCONTRACTORS

- A. Contractors shall state on the Bid and Award page any and all subcontractors to be associated with their bid, including the type work to be performed. Any and all subcontractors shall be bound by all of the terms, conditions and requirements of the contract; however, the prime contractor shall be responsible for the performance of the total work requirements.

- B. The Contractor shall cooperate with the City of Kalamazoo in meeting its commitments and goals with regard to maximum utilization of minority and women business enterprise, and shall use its best efforts to ensure that minority and women business enterprises have maximum practicable opportunity to compete for subcontract work under this agreement.

SECTION V SPECIAL CONDITIONS

1. INTENT

It is the intent of these plans and specifications to provide for a general contractor who shall provide all labor, materials, tools and equipment necessary to perform in a professional manner for the **2023 COLD MILLING OF CITY STREETS** as described in the specifications and bid document.

2. SCOPE OF WORK

The scope of work for this project shall consist of cold milling of City streets in accordance with the MDOT Standard Specifications for Construction, Section 501, and meeting the following specifications:

- a. Cold mill to depth in inches as indicated on the bid section of this document and as directed by the Engineer in the field.
- b. All milling work shall be schedule with the Engineer three (3) working days in advance to allow for adequate coordination.
- c. If requested by Engineer, profile mill the existing roadway in accordance with latest COK Standard Plans, cross section details, and cross slopes.
- d. Approximately 76,785 square yards of full width cold milling, plus end joint milling.
- e. Bid price to include all transportation costs to the locations shown on the Bid and Award pages.
- f. Cold milling work shall be performed under traffic. No road closures will be allowed. The City will provide the necessary temporary traffic control and flagging for the cold milling operation.
- g. Hand chipping and removal of material which is left due to the inability of the cold milling machine to work immediately adjacent to the face of curb, face of manholes, water valves and water boxes will be performed by the Contractor and included in the price of the cold milling operations unless otherwise coordinated with the Engineer at a discounted milling rate.
- h. Surface preparation, cleaning and sweeping, of the cold milled pavement will be done by the Contractor in accordance with Section 501 of MDOT Standard Specifications for Construction.
- i. The bidder/contractor shall verify all measurements and shall be responsible for the correctness of same. Any difference which may be found shall be submitted to Anthony Ladd, PE, Public Works Division Manager at (269) 337-8717 for consideration prior to beginning work with sufficient time to reach agreement on quantity of work to be completed.
- j. The Contractor shall schedule all work to accommodate the City's schedule. In the event Contractor's schedule falls on weekends, nights or overtime work is required, no additional compensation will be allowed.
- k. All work performed under this contract shall be in accordance with the 2020 Michigan Department of Transportation "Standard Specifications for Construction".
- l. The Contractor shall guarantee all of his/her work for a period of one (1) year following the date of final acceptance of the completed work and shall repair, replace or make good any materials or work which shall fail to function or perform or be found defective, without costs to the City.

- m. Payment will be based on the total project amount bid, for actual milling provided. The City reserves the right to add or delete locations. Additions or deletions less than 25% (by area) of the locations specified will not change the unit price.
- n. Cold milling material removed must be disposed of by the Contractor.

All necessary traffic control, labor, materials, tools, equipment, and other items incidental to the work being performed shall be included in the Contractor's unit price for this contract. Such items will not be bid or paid for separately but shall be included in the overall unit price.

The bidder shall furnish all labor, supervision, supplies, tools, equipment, and other means necessary or proper for performing and completing the work. The bidder shall be responsible for the cleaning up of the job site and shall repair or restore all structures and property that may be damaged or disturbed during performance of the work to the satisfaction of the Public Services Department for the City of Kalamazoo. Drainage structure covers shall be salvaged and reused if in usable condition; otherwise, they shall be replaced. Where needed, all traffic control used for such operations as defined by the MMUTCD will be the responsibility of the bidder.

The bidder shall have all work completed by December 31, 2023

3. UNIT PRICING

The unit price, including its pro rata share of overhead, multiplied by the quantity shown shall represent the total bid and shall be held firm for the life of this contract. Any bid not conforming to this requirement may be rejected as non-responsive.

4. TEMPORARY UTILITIES

- A. Temporary or construction water will NOT be available on the sites. The Contractor must provide for drinking water.
- B. Temporary toilets: To be supplied by the Contractor as may be necessary.

5. PROGRESS SCHEDULE

- 5.1 After receipt of notification by Contractor of Notice to Proceed work shall start within two (2) weeks of request from the City.
- 5.2 Project shall have a final completion date of December 31, 2023.
- 5.3 Work of a similar nature may be added to this contract if agreed to by the City and the Contractor. In the event that work is added, the progress schedule for the existing work will remain unchanged. Any contract time added for additional work will be applied to that additional work only and cannot be added to items in the original contract. Any work done on the items in the original contract past the number of working days stated herein will be subject to liquidated damages regardless of any work that may be added at a later date.
- 5.4 The Contractor will be required to meet with the Public Services representatives to work out a detailed progress schedule. The schedule for this meeting will be within two weeks after contract award has been made.
- 5.5 The named sub contractor(s) for all items shall also be present at the scheduled meeting and be required to sign the Progress Schedule to indicate their approval of the scheduled dates of work set forth in the Progress Schedule. If unable to attend the scheduled meeting, the sub-contractor shall, at a minimum, sign the Progress

- Schedule to indicate their approval of the dates of work. MDOT Form 1130 shall be used for schedule submission and signature of all parties.
- 5.6 The Progress Schedule shall include, as a minimum, the starting and completion dates for major items, and where specified in the bid document the date the project is to be opened to traffic as well as the final project completion date specified in the bid document. The Progress Schedule shall be coordinated with all aspects of the work occurring at the site.
 - 5.7 Failure on the part of the Contractor to carry out the provisions of the Progress Schedule as established may be considered sufficient cause to prevent bidding future projects until a satisfactory rate of progress is again established.
 - 5.8 The starting date and the contract time to the completion date for this project may be adjusted by Public Services without imposing liquidated damages upon the receipt of satisfactory documented evidence that unforeseen delayed delivery of critical materials will prevent the orderly prosecution of the work.
 - 5.9 Any request extension of the completion date and satisfactory documented evidence of unforeseen delays shall be submitted via MDOT Form 1100A – Extension of Contract Time.
 - 5.10 MDOT Standard Specifications for Construction Section 501.03.I.1, Weather Limitations, shall apply.

6. RESPONSIVENESS

- 6.1 The Contractor shall respond to City requests for milling operations within 48hrs of the initial request.
 - 6.1.1 Requests can be made by written correspondence, phone, or in person.
- 6.2 Response from the Contractor shall include proposed schedule for when work can occur, and any further coordination information required for the milling operations.
- 6.3 Milling operations shall occur within one week of the requested date or within a specified time as agreed to by the Engineer.

7. LIQUIDATED DAMAGES

Liquidated Damages will be assessed per Section 108.10C of the MDOT Standard Specifications for Construction.

8. MAINTAINING TRAFFIC

- 8.1 This work shall be in accordance with the requirements of Section 812 of the MDOT Standard Specifications for Construction, the Maintaining Traffic special provision, and as specified herein. The Contractor is advised that the current Michigan Manual of Uniform Traffic Control Devices (MMUTCD) is hereby established as governing all work in connection with traffic control devices, barricade lighting, etc. required on this project.
- 8.2 The Contractor shall furnish, erect, maintain and, upon completion of the work, remove all traffic control devices and barricade lights within the project and around the perimeter of the project for the safety and protection of through and local traffic. This includes, but is not limited to: Advance, regulatory and warning signs; barricades and channeling devices at intersecting streets on which traffic is to be maintained; barricades at the ends of the project and at right of way lines for

- intersecting streets which are to be closed with the first usable street on each side of the project. Traffic regulators, where required by the Engineer, are included.
- 8.3 Where the existing pavement or partial widths of new pavement are to be utilized for the maintenance of through and local traffic, channelizing devices will be required at 50' intervals or as directed by the Engineer for channeling and directing traffic through the construction area.
- 8.4 Through traffic shall be maintained utilizing sidewalk closures with detours and traffic shifts per MDOT traffic and safety details.
- 8.5 Protection of all pedestrian traffic shall be maintained at all times in accordance with the MMUTCD. Type II barricades and sidewalk detour signs shall be used in accordance with the MMUTCD at all intersections and ramps. Sidewalk detours shall direct pedestrians safely around closed sidewalk locations and shall be placed at the nearest pedestrian crossing locations still open to traffic.
- 8.6 Payment for furnishing and operating all temporary traffic control devices and traffic regulators shall be paid as pay items included in this contract and shall include all the temporary traffic control measures on all road segments.
- 8.7 Under Article 812.04.D "Operated Pay Items" the term 'Relocating' shall include the relocating of the item from any street covered by the contract to any other street covered by the contract.
- 8.8 No work shall be allowed on the following dates:
- | | |
|----------|------------------------|
| 4/7/23 | Good Friday |
| 5/29/23 | Memorial Day Holiday |
| 6/19/23 | Juneteenth |
| 7/4/23 | Fourth of July Holiday |
| 9/4/23 | Labor Day Holiday |
| 11/11/23 | Veteran's Day |
| 11/23/23 | Thanksgiving |
| 12/25/23 | Christmas |
| 1/1/24 | New Year's Day |
- 8.9 Milled surfaces will not be allowed on travel lanes for longer than 72 hours unless approved by the Project Manager. Any traffic surface within the construction area containing a drop off at the edge of a pavement greater than two (2) inches shall not be allowed to be opened to the public without proper wedging of the edges according to the COK standard detail. Any areas not conforming to the road levelness and profile shall be signed appropriately in accordance with the MMUTCD and best management practices.
- 8.10 Once work is initiated that includes lane restrictions or detours, that work shall be continuous until complete. If work is suspended for more than three (3) continuous working days all lane restrictions and detours shall be removed at the Contractor's expense.

Special Restrictions: Access to frontage properties shall be maintained as much as practical. Emergency access shall be maintained at all times. The Contractor shall maintain two way traffic with flag control as needed when the road is restricted to only one traffic lane.

9. COORDINATING

The Contractor's attention is called to Article 104.08 of the MDOT Standard Specifications for Construction entitled "Cooperation by Contractor" and the special provisions contained within this contract.

10. WORK HOURS

All work shall be done between the hours of 7 am to 7 pm (Monday – Saturday). Work done outside of these times will be at the discretion of the Project Manager.

No work shall be done on Sunday, unless otherwise approved by the Project Manager in writing.

The Contractor shall conduct their work in such a manner that no excavations are left open overnight. If this is not possible, the Contractor shall provide and install a temporary fence to protect the excavation, at the Contractor's expense.

SECTION VI GENERAL CONDITIONS

1. PROJECT MANAGER’S STATUS

The City Engineer (Engineer) or his/her duly authorized representative shall be the City’s Project Manager and shall have the duties and responsibilities as provided in the contract.

The Project Manager shall have the authority to reject any work or materials which do not conform to the contract and to decide questions or interpretations which may arise from the contract documents.

The Contractor shall immediately report to the Project Manager any questionable or obvious error or omission which may be apparent in the contract documents and shall not proceed with work until the Project Manager has resolved the error or omission.

2. CONSTRUCTION SCHEDULE AND COORDINATION

- 2.1 The Contractor shall supply the City with an agreeable construction schedule before commencing work on this contract. This schedule shall detail beginning and completion dates for each major component of the project.
- 2.2 The Contractor shall coordinate and cooperate with all other contractors who may be working on the site, to allow for the orderly progress of work being done.
- 2.3 The Contractor is required to keep the Project Manager fully informed of any proposed work which will tend to interfere with the existing operations at the site.
- 2.4 The Contractor shall schedule all work to accommodate the City's schedule. In the event the Contractor's schedule falls on weekends, nights or overtime work is required, no additional compensation will be allowed. All work shall be part of this contract without regard to when it is done.
- 2.5 The Contractor shall coordinate with other construction projects and contractors adjacent to the location of this project.
- 2.6 The Contractor shall notify, by door hanger/written flier (pre-approved by the Project Manager), affected residents and business of work and areas to be disturbed by construction at least 72 hours in advance. Work shall not commence until the affected residents/business have been notified and given advanced notice. The Contractor shall work to minimize impacts to those affected by the construction while still maintaining project schedule and objectives. For impacts to driveways or property access points that affect residents or businesses, resident/business shall be notified 24 hours in advance of the work taking place and coordinated with for parking and property access.

3. PROTECTION OF WORK

The Contractor shall maintain adequate protection of all his/her work from damage and shall protect all public and private abutting property from injury or loss arising in connection with this contract.

4. PROTECTION OF PROPERTY

- 4.1 The Contractor shall confine his/her equipment and operations to those areas of the work site necessary for the completion of the work, or as authorized by the Project Manager. The Contractor shall protect and preserve from damage any facilities, utilities or features including trees, shrubs and turf which are not required to be disturbed by the requirements of the work.
- 4.2 The Contractor shall be responsible to determine the location of and to protect from damage any utilities or other improvements.

5. REMOVAL OF RUBBISH

The Contractor shall daily remove all rubbish and accumulated materials due to his/her construction.

6. BRICK SIDEWALK OR PAVEMENT REMOVAL

When brick is removed from City of Kalamazoo sidewalk or pavement it shall be salvaged, unless otherwise stated in the contract. Brick to be salvaged shall be placed within the right-of-way (ROW) for pickup by the City. Brick shall not be placed or stored on any pavement, sidewalk, bike, or pedestrian areas but in ROW green space only; salvaged brick shall not be placed on private property without written approval given by the owner.

7. REMOVAL OF PERMANENT TRAFFIC SIGNS AND POSTS

The Contractor shall notify the Project Manager five (5) working days in advance of the time permanent signs must be removed to accommodate the construction. The Contractor shall remove and salvage any permanent signs that must be removed for construction.

8. PERMANENT TRAFFIC SIGN STAKING

The City shall stake the field locations for the new permanent traffic signs that the Contractor shall install under this contract. The Contractor shall call MISS DIG to arrange for staking prior to sign installation.

9. LAWN SPRINKLER SYSTEMS

- 9.1 Owners of known lawn sprinkler systems shall be notified by the contractor a minimum of 72 hours in advance of any work to be done that will affect those systems. Modifications to the systems are the responsibility of the owners and are not a part of this contract.
- 9.2 Owners of lawn sprinkler systems that were unknown to the contractor at the beginning of work and uncovered during the work for this contract, shall be notified as soon as possible and no later than 24 hours after discovery of the system. The Contractor shall coordinate with the owner for placement outside the immediate work area until modifications can take place. Modifications to the systems are the responsibility of the owners and are not a part of this contract.

10. SALVAGING DRAINAGE STRUCTURE COVERS

The City of Kalamazoo reserves the right to salvage any drainage structure covers or portions thereof which are to be removed as a result of work done under this contract. Any covers which are to be salvaged will be identified by the City. The contractor will set those items identified aside for pick up by City personnel.

11. REMOVING AND REPLACING CURB AND GUTTER

When the contract provides for streets to be milled and resurfaced, or when the existing base course is to remain in place, and replacement of curb and gutter is called for, milling or other surface removal operations will not take place until placement of the new curb and gutter, and adjacent concrete base course has been completed.

12. DRAINAGE INLET COVERS (K COVERS)

In compliance with the Clean Water Act, all inlet covers must have on their backs reminders against dumping waste into the drains.

13. FLY ASH USE IN CONCRETE ITEMS

The use of fly ash, as described in Section 901.07 of the MDOT Standard Specifications for Construction, shall not be allowed.

14. EXISTING WATER MAINS

The Contractor will be responsible for any damage to the existing water mains during the work required under this contract. This includes but is not limited to the construction of the proposed storm sewers, catch basins, leaching basins, leaching trenches, subgrade under drains, subgrade undercutting, full depth repairs, or other miscellaneous work.

15. GRADE INTERSECTIONS

All intersections are to be considered as complete units and their grades determined before construction is started.

16. UNDERGROUND UTILITIES

For protection of underground utilities, the Contractor shall dial Miss Dig at 1-800-482-7171 a minimum of 72 hours prior to excavating in the vicinity of utility lines. All “Miss Dig” participating members will thus be routinely notified. This does not relieve the Contractor of notifying utility owners who may not be part of the “Miss Dig” alert system.

17. ADJUSTING MONUMENT BOXES

It is the intent that all government corners on this project be preserved and that, where necessary, monument boxes be placed or adjusted whether shown or not.

18. PAVEMENT REMOVAL QUANTITIES

Pavement removal as called for in this proposal shall be at the discretion of the Project Manager. If, in his/her judgment, areas of pavement may be left in place or additional area added to provide the proper cross-section and base, adjustments can be made in the quantities.

19. COLD MILLING

In those locations where cold milling is called for and the existing curb is to remain in place, the cold milling item shall cover removal of all asphalt up to the face of the curb. Any materials which are left due to the inability of the cold milling machine to work immediately adjacent to the face of the curb will be removed to the depth indicated on the typical cross-section by other means approved by the Project Manager. Any extra work involved in removing said HMA material shall be considered incidental to the item of Cold Milling HMA Surface.

20. SITE SECURITY

The Contractor shall be responsible for job site security of all materials and tools provided by him/her and no claim for loss or damage will be considered by the City.

21. SITE ACCESS

The City will provide fair and reasonable access to the job site within the working schedules of both parties.

22. MATERIALS INSPECTION AND RESPONSIBILITY

- 22.1 The Project Manager shall have the right to inspect any materials to be used in carrying out the terms of the contract.
- 22.2 The City does not assume any responsibility for the contracted quality and standard of all materials, equipment, components or completed work furnished under this contract.
- 22.3 Any materials, equipment, components or completed work which does not comply with contract specifications, MDOT, or state codes may be rejected by the City, and shall be replaced by the Contractor at no cost to the City.
- 22.4 Any materials, equipment or components rejected shall be removed within a reasonable period of time from the premises of the City at the entire expense of the Contractor after written notice has been mailed by the City to the Contractor that such materials, equipment or components have been rejected.

23. GUARANTEE

The Contractor shall guarantee all of his/her work for a period of one (1) year following the date of final acceptance of the completed work and shall repair, replace or make good any materials or work which fail to function or perform or be found defective, without cost to the city.

24. SAFETY

The Contractor shall comply with all applicable OSHA and MIOSHA regulations.

25. SPECIFICATIONS FOR CONSTRUCTION

The items of work in this contract shall conform to the Michigan Department of Transportation (MDOT) 2020 Standard Specifications for Construction, MDOT Supplemental Specifications, and/or the City of Kalamazoo Standard Specifications unless superseded by a Special Provision contained in this document.

26. QUANTITIES

The quantities shown on the Bid and Award pages are approximate only and may be subject to increase or decrease. No guarantee of maximum or minimum is given.

27. PRICE

The unit price, including its pro rata share of overhead, multiplied by the quantity shown shall represent the total bid and shall be held firm for the life of this contract. Any bid not conforming to this requirement may be rejected as non-responsive. Special attention of all bidders is called to this provision since if conditions make it necessary to revise the quantities, no limit will be fixed for such increased or decreased quantities, nor extra compensation allowed; provided the net monetary value of all such additive and subtractive changes in quantities of such items of work, i.e., difference in cost, shall not increase or decrease the original contract price by more than

twenty five (25) percent. Some items of work might be increased beyond the 25% limitations as spelled out previously, upon mutual agreement.

28. BASIS FOR PAYMENT

Payment shall be based on the bid unit price for each work item and the approved constructed quantity for that work item. Due to potential differences in conditions between the plans and the field, final as built quantities may be different than contained in the bid document. The City does not guarantee quantities and will pay only for "as built" quantities approved by the Project Manager or his representative. Quantities in excess of those approved shall be at the Contractor's own expense, the City will not be responsible for excess quantities not approved. Should an item of work have to be redone, such as replacing new walk because the Contractor failed to adequately protect the wet concrete from rain or pedestrian or vehicular damage, such work shall be replaced at the Contractor's expense. Should changes in design result in the Project Manager directing the removal and reinstallation of already completed work prior to final completion and acceptance of the project, such removal and installation shall be paid for based on as-bid unit prices and the quantities removed and installed.

29. PAY ESTIMATES

The Contractor shall be responsible for the generation of invoices for payment. Payment will be generated by the City based upon an approved invoice. Frequency of payment shall be monthly unless agreed to otherwise by the Project Manager, with the invoiced period ending on the last day of the month. However, if a different frequency is approved by the Project Manager, it shall not exceed bi-weekly invoicing.

30. PAYMENT TO CONTRACTOR

The Project Manager will be responsible for approving all measured quantities of work. Once measured quantities are approved, the Contractor shall submit a pay invoice to the City of Kalamazoo Attn: Accounts Payable at 241 West South Street, Kalamazoo MI, 49007 or apinvoice@kalamazoocity.org. The contractor is required to meet with the Project Manager to verify final constructed quantities within 60 days of project completion. In the event of a disagreement the Project Manager's measured quantities shall be considered final.

31. INSPECTION OF WORK

The City may maintain inspectors on the job who shall, at all times, have access to work.

32. INSPECTION OF SITE

Each bidder shall visit the site of the proposed work and fully acquaint himself/herself with the existing conditions relating to construction, labor, and shall fully inform himself/herself as to the facilities involved and the difficulties and restrictions attending the performance of this contract. The bidder shall thoroughly examine and become familiar with the drawings, specifications, and all other bid/contract documents. The Contractor, by the execution of this contract, shall in no way be relieved of any obligation under it due to his failure to receive or examine any form or legal instrument, or to visit the site and acquaint himself/herself with the conditions there existing. No allowance shall be made subsequently in this connection on behalf of the Contractor for any negligence of his/her part. For inspection call the Public Services Department, Engineering Division.

33. LAYING OUT OF WORK

Before submitting a bid, the Contractor shall verify all measurements and shall be responsible for the correctness of same. No extra charge or compensation will be allowed on account of differences between actual dimensions and the measurements indicated on the drawings. Any difference that may be found shall be submitted to the City Engineer for consideration before proceeding.

34. SUPERVISION

The Contractor shall employ an experienced superintendent or foreperson on the job at all times.

35. TARDINESS

Construction delays resulting from tardiness on the part of the Contractor will be reviewed by the City in the event of any request for contract extension by the Contractor.

36. ADDITIONS

Any modification to the contract shall be subject to prior approval by the Purchasing Agent. City Commission approval may also be required.

Prices for additional work required are not requested in the itemized listing contained herein for the base project. Should additional work be authorized, compensation shall be made on the basis of price or prices to be mutually agreed upon. Such additional work shall not begin until a Change Order has been approved.

37. INSPECTION AND TESTING

The Contractor shall give the Project Manager timely notice of readiness of the work for all required inspections, tests or approvals, and shall cooperate with inspections and testing personnel to facilitate required inspections or tests.

38. QUESTIONS

Bidders shall address questions regarding the specifications to Anthony Ladd, Assistant Director at (269) 337-8717 or ladda@kalamazoocity.org. Questions regarding terms, conditions and other related bid requirements may be addressed to Gracia Mason, Buyer, at (269) 337-8720 or masong@kalamazoocity.org. This does not relieve the requirements of Page 6, Item 3.

SECTION VII TERMS AND CONDITIONS

1. AWARD OF CONTRACT

- 1.1 This contract will be awarded to that responsible bidder whose bid, conforming to this solicitation, will be most advantageous to the City, price and other factors considered. The City reserves the right to accept or reject any or all bids and waive informalities and minor irregularities in bids received. Other factors include, as an example but not limited to, delivery time, conformance to specifications, incidental costs such as demurrage and deposits, etc.
- 1.2 Notification of award will be in writing by the Purchasing Manager. Upon notification, the Contractor shall submit to the Purchasing Division all required insurance certificates (if required) and such other documentation as may be requested or required hereunder. Upon their receipt and subsequent approval by the City, the Purchasing Manager will forward to the Contractor a written NOTICE TO PROCEED. Work shall NOT be started until such NOTICE TO PROCEED is received by the Contractor.
- 1.3 Unilateral changes in bid prices by the bidder shall not be allowed. However, the City, at its sole option, reserves the right to negotiate with bidders in the event of, but not limited to:
 - 1) No bids received;
 - 2) A single bid being received; or
 - 3) Prices quoted are over budget and/or unreasonable.

2. COMPLETE CONTRACT

This bid document together with its addenda, amendments, attachments and modifications, when executed, becomes the complete contract between the parties hereto, and no verbal or oral promises or representations made in conjunction with the negotiation of this contract shall be binding on either party.

3. SUBCONTRACTORS – NON-ASSIGNMENT

- 3.1 Bidders shall state in writing any and all sub-contractors to be associated with this bid, including the type of work to be performed. The Contractor shall cooperate with the City of Kalamazoo in meeting its commitments and goals with regard to maximum utilization of minority and women-owned business enterprises.
- 3.2 The Contractor hereby agrees and understands that the contract resulting from this solicitation shall not be transferred, assigned or sublet without prior written consent of the City of Kalamazoo.

4. TAXES

The City of Kalamazoo is exempt from all federal excise tax and state sales and use taxes.

5. INVOICING

All original invoice(s) will be sent to the Financial Services Division, 241 W. South Street, Kalamazoo, MI 49007 or via email at apinvoice@kalamazoo-city.org. The Finance Division processes payments after receipt of an original invoice from the Contractor and approval by the department. The City of Kalamazoo's policy is to pay invoice(s) within 30 days from the receipt of the original invoice, if the services or supplies are satisfactory and the proper paperwork and procedures have been followed. **In order to guarantee payment to the vendor on a timely basis, the vendor needs to receive a purchase order number before supplying the City of Kalamazoo with goods or services.** All original, and copies of original invoice(s), will clearly state which purchase order they are being billed against.

The City of Kalamazoo is a government municipality and therefore is tax exempt from all sales tax.

The vendor is responsible for supplying the Finance Division with a copy of their W9 if they are providing a service to the City of Kalamazoo.

6. PAYMENTS

- 6.1 Upon issuance of certificates of Payment by the Architect/Engineer for labor and material incorporated in the work and the materials suitably stored at the site payment shall be made up to ninety (90%) percent of the value thereof.
- 6.2 When the cumulative total of payment is equal to fifty (50%) percent of the contract sum, subsequent payments will be made in the full amount for labor and material certified by the Architect/Engineer.
- 6.3 The amount retained shall be held until final acceptance of the work, receipt of all payrolls, releases, and waiver of liens.

7. CHANGES AND/OR CONTRACT MODIFICATIONS

- 7.1 The City reserves the right to increase or decrease quantities, service or requirements, or make any changes necessary at any time during the term of this contract, or any negotiated extension thereof. Price adjustments due to any of the foregoing changes shall be negotiated and mutually agreed upon by the Contractor and the City.
- 7.2 Changes of any nature after contract award which reflect an increase or decrease in requirements or costs shall not be permitted without prior approval by the Purchasing Agent. City Commission approval may also be required.
- 7.3 ANY CHANGES PERFORMED IN ADVANCE OF PURCHASING AGENT APPROVAL, MAY BE SUBJECT TO DENIAL AND NON-PAYMENT.

8. LAWS, ORDINANCES, AND REGULATIONS

- 8.1 The Contractor shall keep himself/herself fully informed of all local, state and federal laws, ordinances and regulations in any manner affecting those engaged or employed in the work and the equipment used. Contractor and/or employees shall, at all times, serve and comply with such laws, ordinances and regulations.
- 8.2 Any permits, licenses, certificates, or fees required for the performance of the work shall be obtained and paid for by the Contractor.
- 8.3 This contract shall be governed by the laws of the State of Michigan.

9. RIGHT TO AUDIT

The City or its designee shall be entitled to audit all of the Contractor's records, and shall be allowed to interview any of the Contractor's employees, throughout the term of this contract and for a period of three years after final payment or longer if required by law to the extent necessary to adequately permit evaluation and verification of:

- A. Contractor compliance with contract requirements,
- B. Compliance with provisions for pricing change orders, invoices or claims submitted by the Contractor or any of his payees.

10. HOLD HARMLESS

If the negligent acts or omissions of the Contractor/Vendor or its employees, agents or officers, cause injury to person or property, the Contractor/Vendor shall indemnify and save harmless the City of Kalamazoo, its agents, officials, and employees against all claims, judgments, losses, damages, demands, and payments of any kind to persons or property to the extent occasioned from any claim or demand arising therefrom.

11. DEFAULT

The City may at any time, by written notice to the Contractor, terminate this contract and the Contractor's right to proceed with the work, for just cause, which shall include, but is not limited to the following:

- A. Failure to provide insurance and bonds (when called for), in the exact amounts and within the time specified or any extension thereof.
- B. Failure to make delivery of the supplies, or to perform the services within the time specified herein, or any extension thereof.
- C. The unauthorized substitution of articles for those bid and specified.
- D. Failure to make progress if such failure endangers performance of the contract in accordance with its terms.
- E. Failure to perform in compliance with any provision of the contract.
- F. Standard of Performance
 - a. Contractor guarantees the performance of the commodities, goods or services rendered herein in accordance with the accepted standards of the industry or industries concerned herein, except that if this specification calls for higher standards, then such higher standards shall be provided.
 - b. Upon notice by the City of Contractor's failure to comply with such standards or to otherwise be in default of this contract in any manner following the Notice to Proceed, Contractor shall immediately remedy said defective performance in a manner acceptable to the City. Should Contractor fail to immediately correct said defective performance, said failure shall be considered a breach of this contract and grounds for termination of the same by the City.
 - c. In the event of any breach of this contract by Contractor, Contractor shall pay any cost to the City caused by said breach including but not limited to the replacement cost of such goods or services with another Contractor.
 - d. The City reserves the right to withhold any or all payments until any defects in performance have been satisfactorily corrected.
 - e. In the event the Contractor is in breach of this contract in any manner, and such breach has not been satisfactorily corrected, the City may bar the Contractor from being awarded any future City contracts.

- G. All remedies available to the City herein are cumulative and the election of one remedy by the City shall not be a waiver of any other remedy available to the City.

12. TERMINATION OF CONTRACT

The City may, at any time and without cause, suspend the work of this contract for a period of not more than ninety days after providing notice in writing to the Contractor. The Contractor shall be allowed an adjustment in the contract price or an extension of the contract times, or both, directly attributable to the suspension if Contractor makes an approved claim.

The City may, without prejudice to any other right or remedy of the City, and with or without cause, terminate the contract by giving seven days written notice to the Contractor. In such case the Contractor shall be paid, without duplication, for the following items:

- A. Completed and acceptable work executed in accordance with the contract documents prior to the effective date of termination, including fair and reasonable sums for overhead and profit on such work;
- B. Expenses sustained prior to the effective date of termination in performing services and furnishing labor, materials or equipment as required by the contract documents in connection with uncompleted work, plus fair and reasonable sums for overhead and profit on such expenses;
- C. All documented claims, costs, losses and damages incurred in settlement of terminated contracts with Subcontractors, Suppliers and others; and
- D. Reasonable expenses directly attributable to termination.

The Contractor shall not be paid on account of loss of anticipated profits or revenue or other economic loss arising out of or resulting from such termination.

13. INDEPENDENT CONTRACTOR

At all times, the Contractor, any of his/her employees, or his/her sub-contractors and their subsequent employees shall be considered independent contractors and not as City employees. The Contractor shall exercise all supervisory control and general control over all workers' duties, payment of wages to Contractor's employees and the right to hire, fire and discipline their employees and workers. As an independent contractor, payment under this contract shall not be subject to any withholding for tax, social security or other purposes, nor shall the Contractor or his/her employees be entitled to sick leave, pension benefit, vacation, medical benefits, life insurance or workers' unemployment compensation or the like.

14. PROJECT SUPERVISOR

The Contractor shall employ an individual to act as Project Supervisor. The Project Supervisor shall be available to the Contractor's workers and the Project Manager at all times by use of a mobile phone or other reliable means. The Project Supervisor shall prepare daily work plans for the employees, monitor employee performance, attendance and punctuality; and work closely with the City's Project Manager in assuring contract compliance.

15. MEETINGS

The Contractor and/or Project Supervisor shall be available to meet with the Department Head or Project Manager at a mutually agreeable time to discuss problems, issues or concerns relative to the contract. Either party may call a meeting at any time. When such a request for a meeting is made, the meeting date shall, in no case exceed five (5) working days after the request; and, if in the sole opinion of the Department Head, the severity of the circumstance warrants, no more than one (1) working day.

16. INSPECTION OF WORKSITE

Before submitting bids or quotes for work, the Contractor shall be responsible for examining the work site and satisfying himself/herself as to the existing conditions under which he/she will be obligated to operate, or that in any way affects the work under this contract. No allowance shall be made subsequently, in behalf of the Contractor, for any negligence on his/her part.

17. CONTRACT PERIOD, EXTENSIONS, CANCELLATION

- 17.1 The contract shall be in effect for the term stated in the specifications.
- 17.2 The City may opt to extend this contract upon mutual agreement of both parties. The number of extensions shall be limited to that stated in the specifications.
- 17.3 The City may, from time to time, find it necessary to continue this contract on a month-to-month basis only, not to exceed a six (6) month period. Such month-to-month extended periods shall be by mutual agreement of both parties, with all provisions of the original contract or any extension thereof remaining in full force and effect.
- 17.4 All contracts, extensions and cost increases are subject to availability of funds and the approval of the City Commission (if required).
- 17.5 The City reserves the right to cancel the contract due to non-appropriation of funds by the City with thirty (30) days written notice.
- 17.6 Either party may terminate the contract (or any extension thereof) without cause at the end of any twelve (12) month term by giving written notice of such intent at least 60 days prior to the end of said twelve (12) month term.
- 17.7 All notices are in effect commencing with the date of mailing. Written notices may be delivered in person or sent by First Class mail; faxed or emailed to the last known address.
- 17.8 If cancellation is for default of contract due to non-performance, the contract may be canceled at any time (see Item 11, DEFAULT).

APPENDIX A
NON-DISCRIMINATION CLAUSE FOR ALL CITY OF
KALAMAZOO CONTRACTS

The Contractor agrees to comply with the Federal Civil Rights Act of 1964 as amended; the Federal Civil Rights Act of 1991 as amended; the Americans With Disabilities Act of 1990 as amended; the Elliott-Larson Civil Rights Act, Act. No. 453, Public Act of 1976 as amended; the Michigan Handicappers Civil Rights Act, Act No. 220, Public Act of 1976 as amended, City Ordinance 1856 and all other applicable Federal and State laws. The Contractor agrees as follows:

1. The Contractor will not discriminate against any employee or applicant for employment because of race, color, religion, national origin, sex, age, height, weight, marital status, physical or mental disability, family status, sexual orientation or gender identity that is unrelated to the individual's ability to perform the duties of the particular job or position. Such action shall include, but not be limited to the following: employment, upgrading, demotion or transfer, recruitment advertising, layoff or termination; rates of pay or other forms of compensations; and selection for training, including apprenticeship.
2. The Contractor will, in all solicitations or advertisements for employees placed by or on behalf of the Contractor, state that all qualified applicants will receive consideration for employment without regard to race, color, religion, national origin, sex, age, height, weight, marital status, physical or mental disability family status, sexual orientation or gender identity that is unrelated to the individual's ability to perform the duties of the particular job or position.
3. If requested by the City, the Contractor shall furnish information regarding practices, policies and programs and employment statistics for the Contractor and subcontractors. The Contractor and subcontractors shall permit access to all books, records and accounts regarding employment practices by agents and representatives of the City duly charged with investigative duties to assure compliance with this clause.
4. Breach of the covenants herein may be regarded as a material breach of the contract or purchasing agreement as provided in the Elliott-Larsen Civil Rights Act and City Ordinance 1856.
5. The Contractor will include or incorporate by reference the provisions of the foregoing paragraphs 1 through 4 in every subcontract or purchase order unless exempted by the rules, regulations or orders of the Michigan Civil Rights Commission* and will provide in every subcontract or purchase order that said provision will be binding upon each subcontractor or seller.
6. The Contractor will not preclude a person with a criminal conviction from being considered for employment unless otherwise precluded by federal or state law. (for contracts over \$25,000)

The Elliott-Larson Civil Rights Act, Sec. 202 of Act. No. 453 of 1976 reads in part as follows:

Sec. 202. (1) An employer shall not:

- (a) Fail or refuse to hire, or recruit, or discharge or otherwise discriminate against an individual with respect to employment, compensation, or a term condition or privilege of employment because of religion, race, color, national origin, age, sex, height, weight or marital status.
- (b) Limit, segregate or classify an employee or applicant for employment in a way which deprives or tends to deprive the employee or applicant of an employment opportunity or otherwise adversely affects the status of an employee or applicant because of religion, race, color, national origin, age, sex, height, weight or marital status.
- (c) Segregate, classify or otherwise discriminate against a person on the basis of sex with respect to a term, condition or privilege of employment, including a benefit plan or system.

* Except for contracts entered into with parties employing less than three employees.
1-2010

**APPENDIX B
ADDITIONAL INFORMATION**



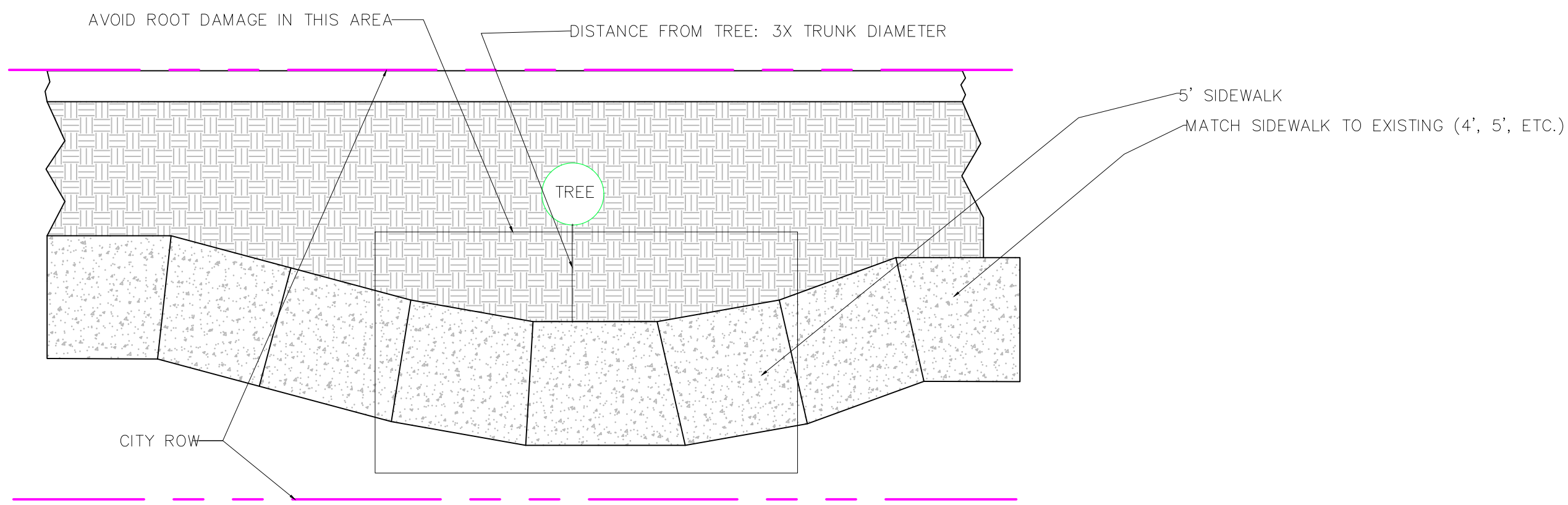
**THE CITY OF KALAMAZOO
DEPARTMENT OF PUBLIC SERVICES
ENGINEERING DIVISION**

STANDARD PLANS V7.3

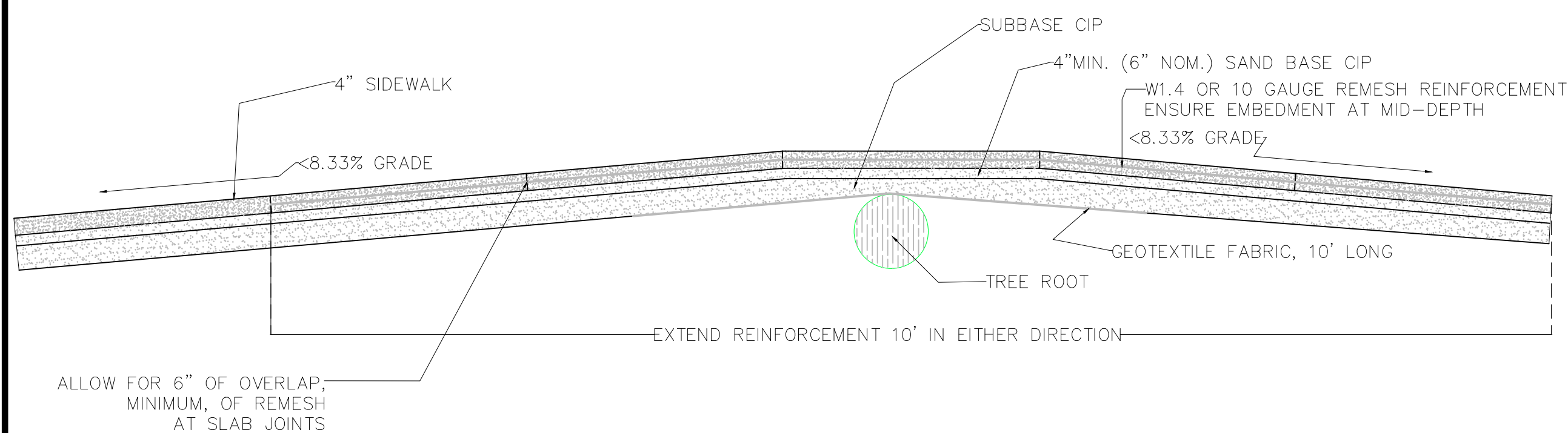
2023 COLD MILLING OF CITY STREETS

Bid Reference #: 91384-005.0

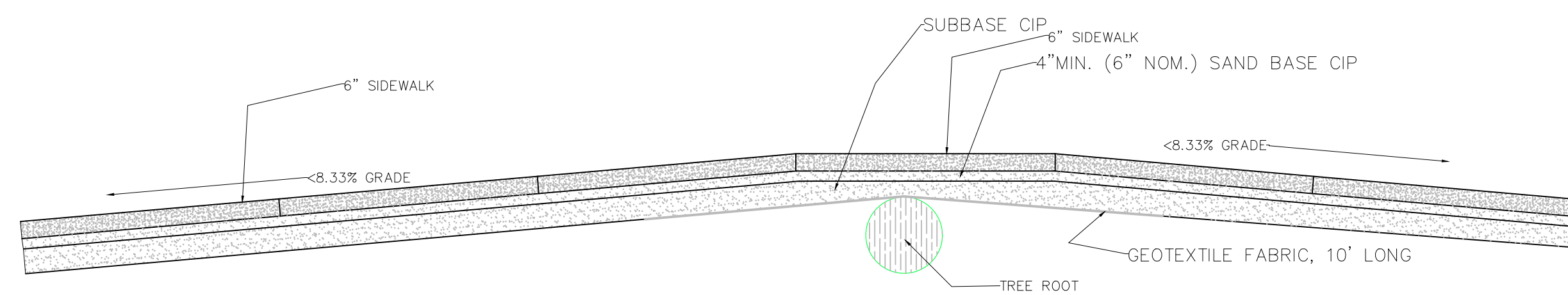
STANDARD DETAIL – SIDEWALK
ROOT AVOIDANCE – MEANDERING SIDEWALK



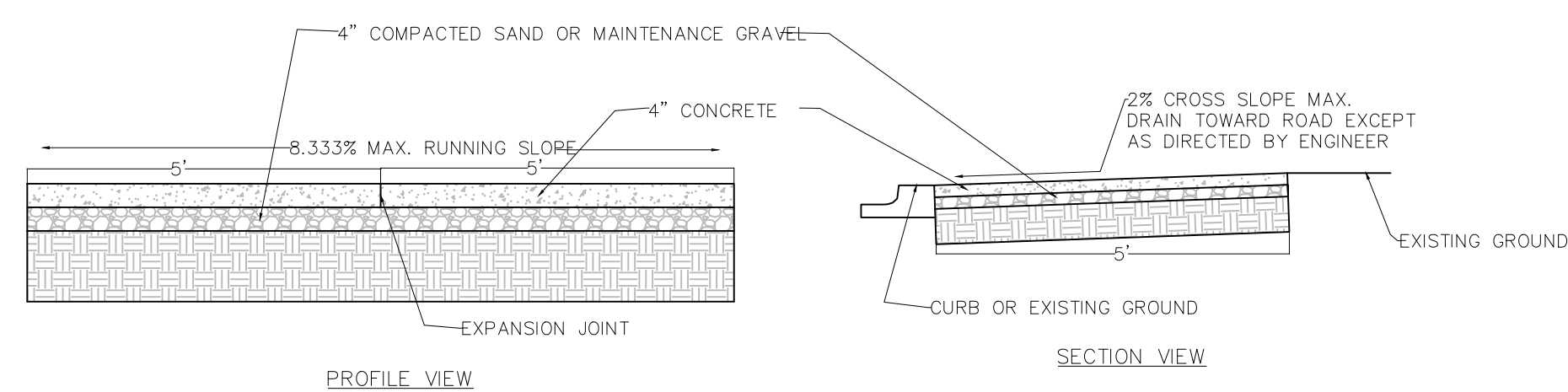
STANDARD DETAIL – SIDEWALK
ROOT AVOIDANCE



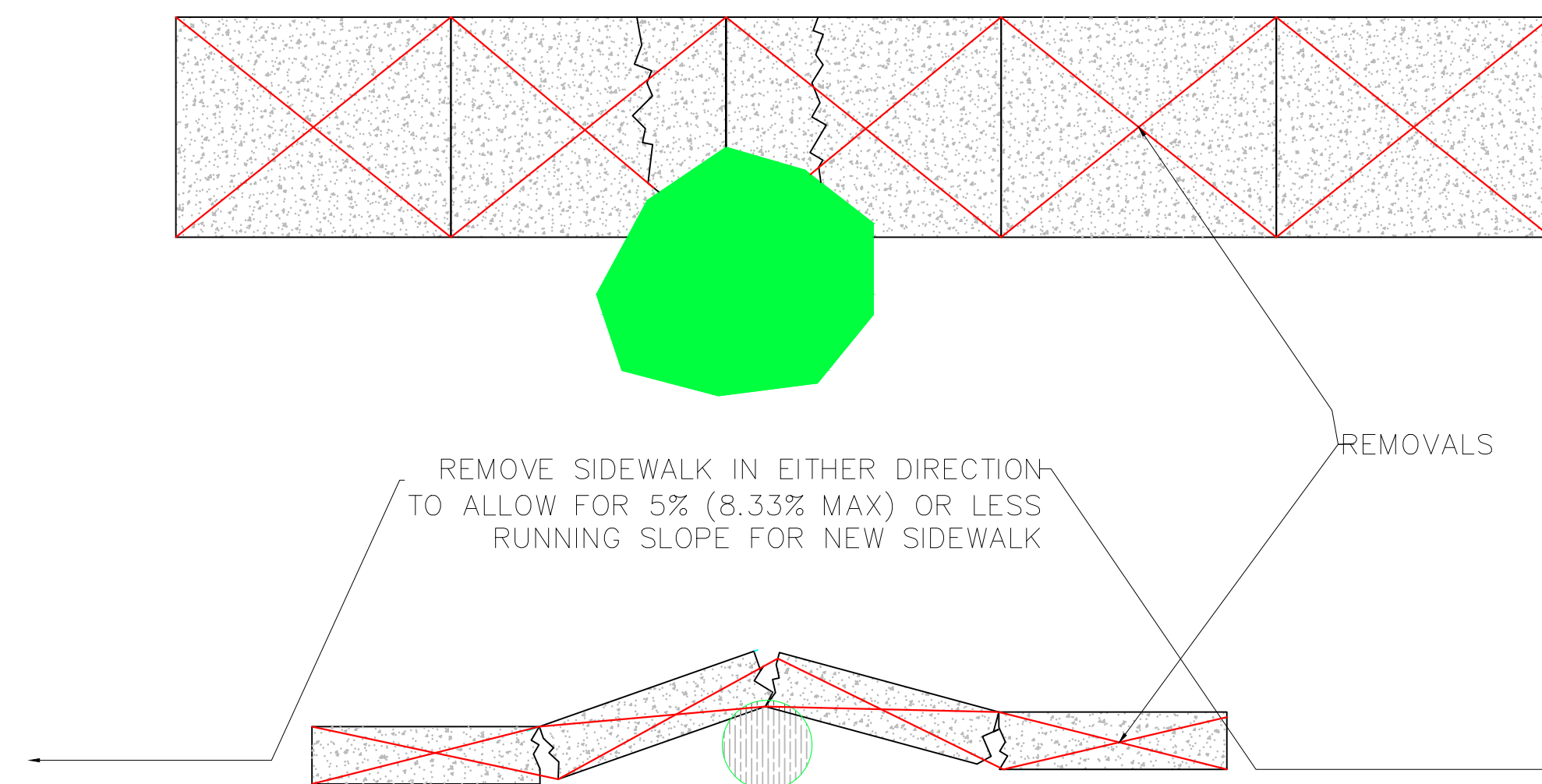
STANDARD DETAIL – SIDEWALK
ROOT AVOIDANCE – W/O REINFORCEMENT
(USE ONLY AS DIRECTED BY ENGINEER)



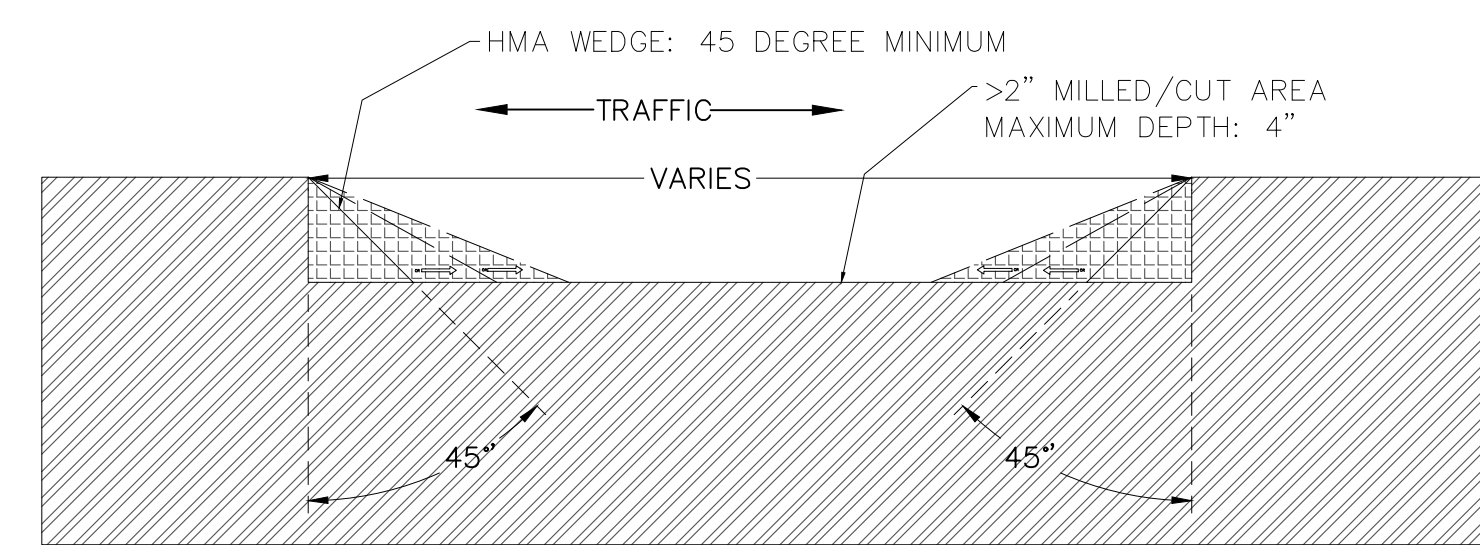
TYPICAL 4" SIDEWALK DETAIL



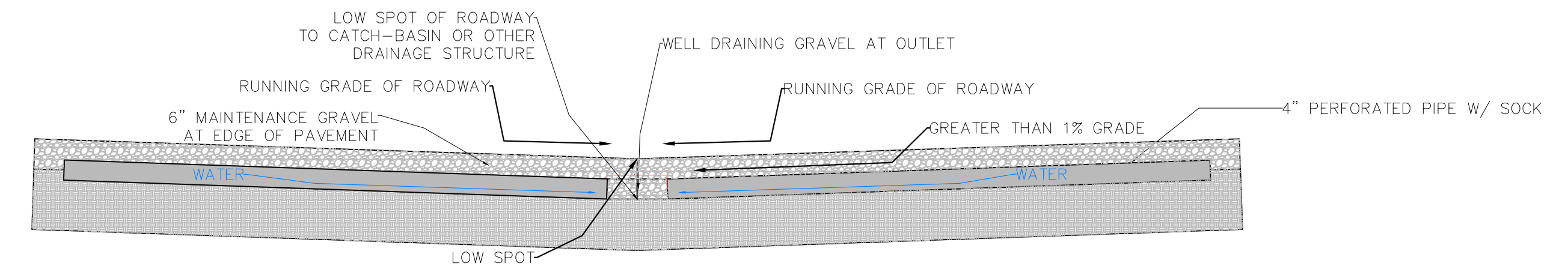
ROOT CRACKING OF SIDEWALK



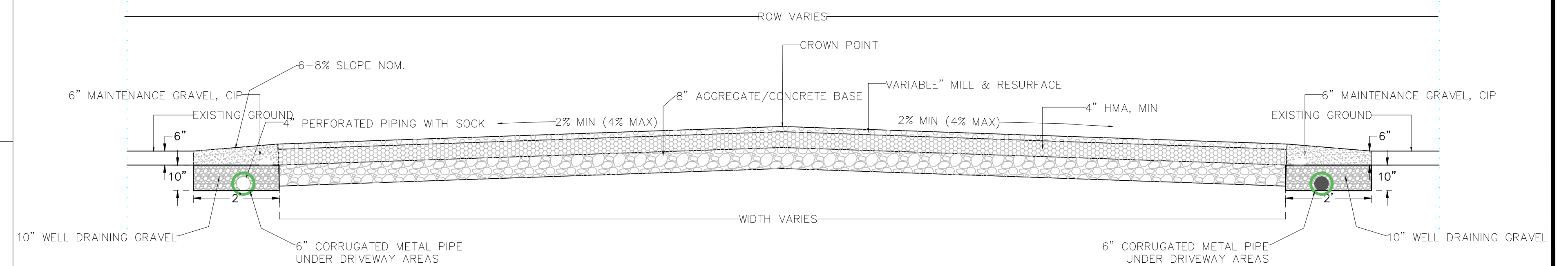
STANDARD DETAIL – WEDGING
A CUT/MILLED SECTION



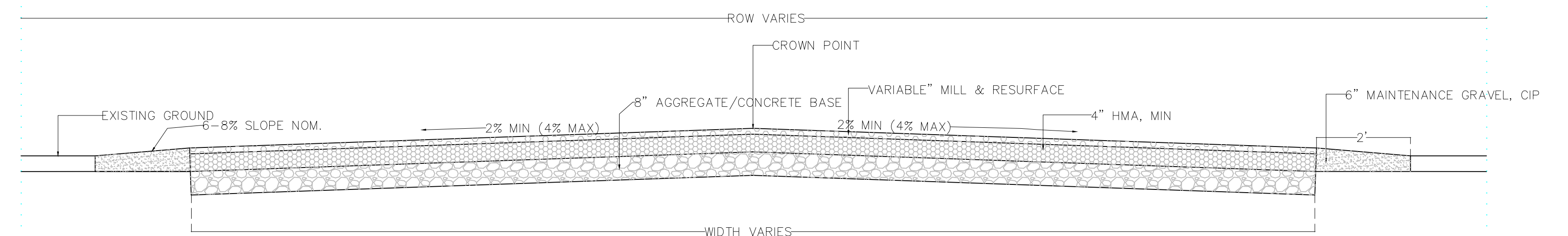
STANDARD DETAIL – LOW VOLUME/RESIDENTIAL ROADS
PERFORATED PIPE DETAIL



STANDARD DETAIL – LOW VOLUME/RESIDENTIAL ROADS
POORLY DRAINED AREAS



STANDARD DETAIL – LOW VOLUME/RESIDENTIAL ROADS
EASILY DRAINED AREAS



SURVEYED	N/A	SCALE	REVISIONS
DESIGNED	GHW	VERTICAL NOT TO SCALE	1, 12.18.20 - Agg base depth & option of 2C base
DRAWN	GHW	HORIZONTAL NOT TO SCALE	1, 12.17.21 - General updates plus MDOT HMA updates
QA/QC	AL	DATE	11/23/2020
ENG PROJ #	XXX-XX		

GENERAL NOTES:

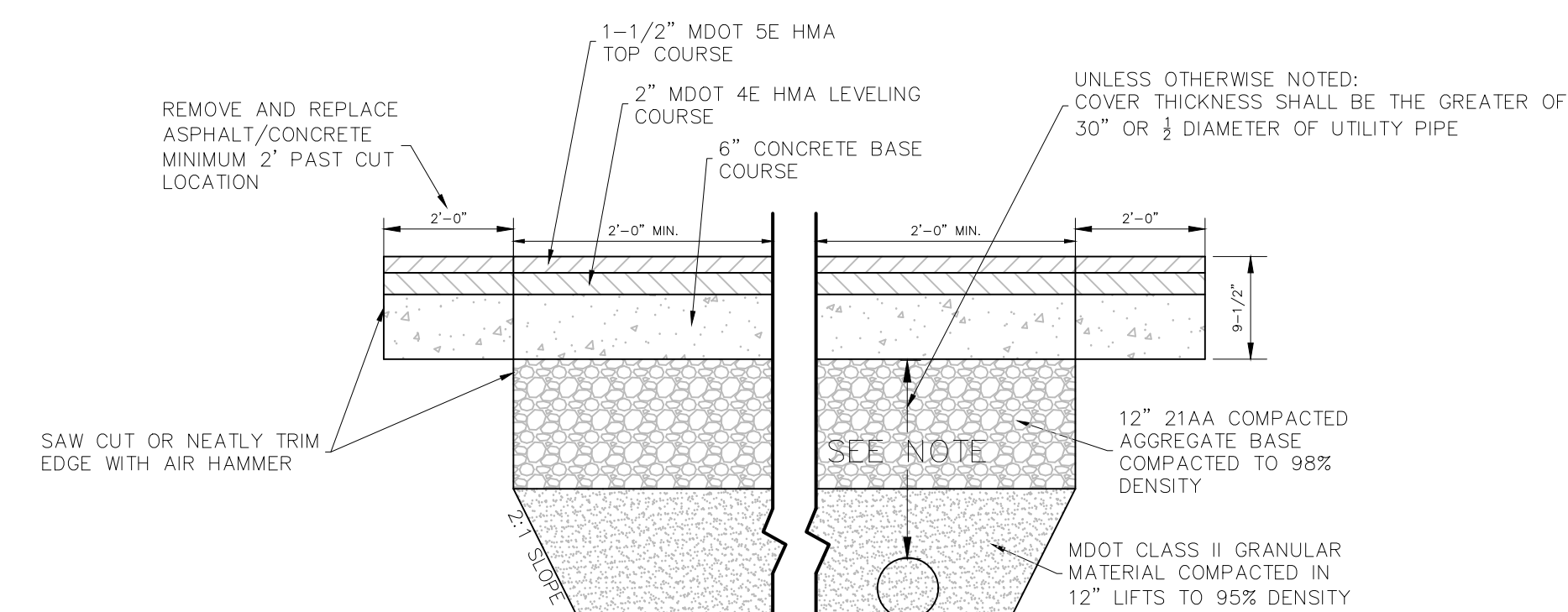
- MDOT STANDARD PLANS R-28-J, R-29-I, R-30-G, AND R-44-F SHALL BE FOLLOWED IN CONJUNCTION WITH THESE STANDARD PLANS
- ALL SAW CUTTING SHALL BE DONE PERPENDICULAR AND PARALLEL TO THE DIRECTION OF TRAVEL
- SAW CUTTING SHALL PROVIDE A STRAIGHT, CLEAN, EDGE TO ENHANCE BONDING
- ALL CUTS SHALL BE RECTANGULAR AND NEATLY CUT TO AVOID SPALLING OF PAVEMENT
- IN GENERAL ALL ROAD/UTILITY CUTS OF AN AREA GREATER THAN 25SFT (5FTX5FT TYPICAL) SHALL EXTEND THE FULL WIDTH OF THE TRAVEL LANE
- FOR PAVEMENT WITH LOAD TRANSFER DOWEL RODS OR REINFORCEMENT: NEW LOAD TRANSFER DOWELS/REINFORCEMENT SHALL BE PLACED TO MAINTAIN BEARING CAPACITY OF ROADWAY
- CUTS LESS THAN 12" SHALL BE PATCHED WITH PCC. IF GREATER THAN 12", ENSURE CUT IS IN ACCORDANCE WITH STANDARD DETAILS AND MATCHING EXISTING ROADWAY
- BUMPS/CUTS/MILLED AREAS WITH EDGE GREATER THAN 2" DEEP/HIGH MUST BE WEDGED WITH HMA BEFORE OPEN TO TRAFFIC. SEE STANDARD DETAIL.
- MEANDERING SIDEWALK SHALL ONLY BE PLACED IN THE CITY'S ROW OR WHERE AN EASEMENT IS ESTABLISHED
- NEW SIDEWALK CONSTRUCTION SHALL MEET OR EXCEED CURRENT ADA AND ACCESSIBILITY STANDARDS
- REPLACED SIDEWALK SHALL, TO THE EXTENT PRACTICABLE, MEET OR EXCEED ADA AND ACCESSIBILITY STANDARDS
- SIDEWALK, DRIVEWAY OPENINGS & APPROACHES SHALL CONFORM TO MDOT STANDARD PLAN DETAILS R-28-J AND R-29-I
- MARSHALL MIX 13A (BASE/LEVELING) MAY BE SUBSTITUTED FOR SUPERPAVE HMA BASE MIX DESIGNS WITH CITY OF KALAMAZOO APPROVAL IF DEEMED APPROPRIATE BY THE ENGINEER
- ASPHALT BINDER SHALL BE INCLUDED IN THE PAY ITEM FOR HMA
- MDOT PCC P1 MIX DESIGN SHALL BE USED FOR ALL CONCRETE UNLESS OTHERWISE STATED OR DIRECTED BY THE ENGINEER
- OPENING TO TRAFFIC STRENGTHS (2012 STANDARD SPECIFICATIONS FOR CONSTRUCTION, TABLE 603-1):
 - <72 HOURS, GRADE P-NC, 300 psi
 - 72 HOURS +, GRADE P1, P1M, 550 psi



STANDARD DETAILS

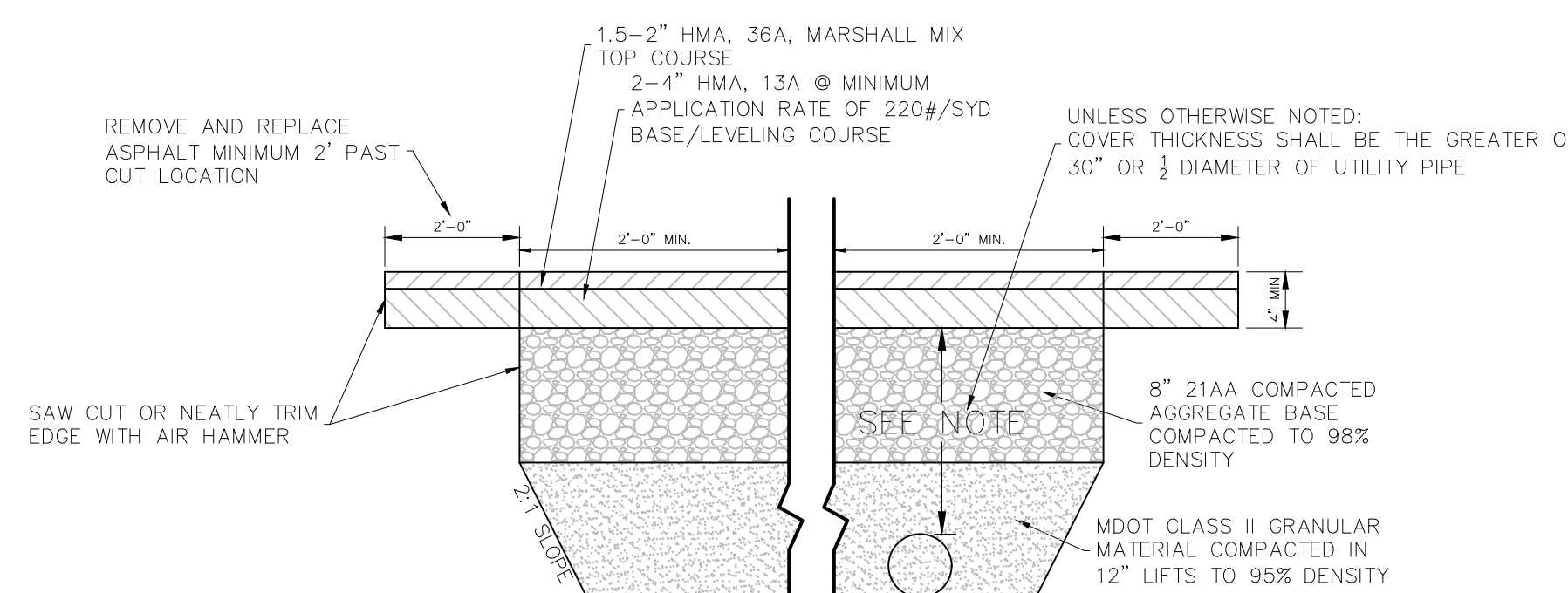
CITY OF KALAMAZOO

SURVEYED		N/A	SCALE		REVISIONS	
DESIGNED	GHW		VERTICAL	NOT TO SCALE	1. 12.18.20	Agg base depth & option of 2C base
DRAWN	GHW		HORIZONTAL	NOT TO SCALE	2. 12.17.21	General updates plus MDOT HMA updates
QA/QC	AL		DATE	11/23/2020		
ENG PROJ #	XXX-XX					



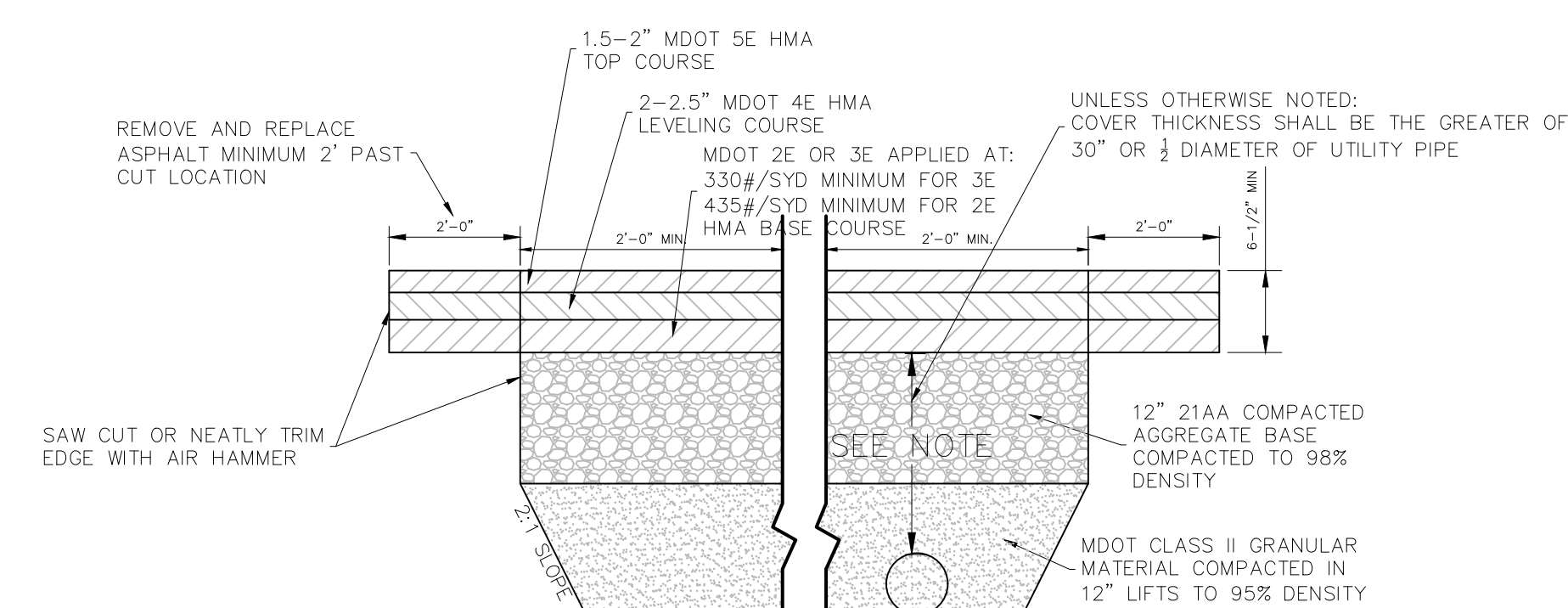
- NOTE:
- CUT SHALL BE PARALLEL OR PERPENDICULAR TO EDGE OF ROADWAY/GUTTER
 - FOR POTHoles 12" DIAMETER AND SMALLER - ALL CONCRETE
 - FOR 1' x 1' AND LARGER HAND COMPACT LAYERS AS SHOWN AND FINISH WITH CONCRETE

ASPHALT WITH CONCRETE BASE TRENCH DETAIL



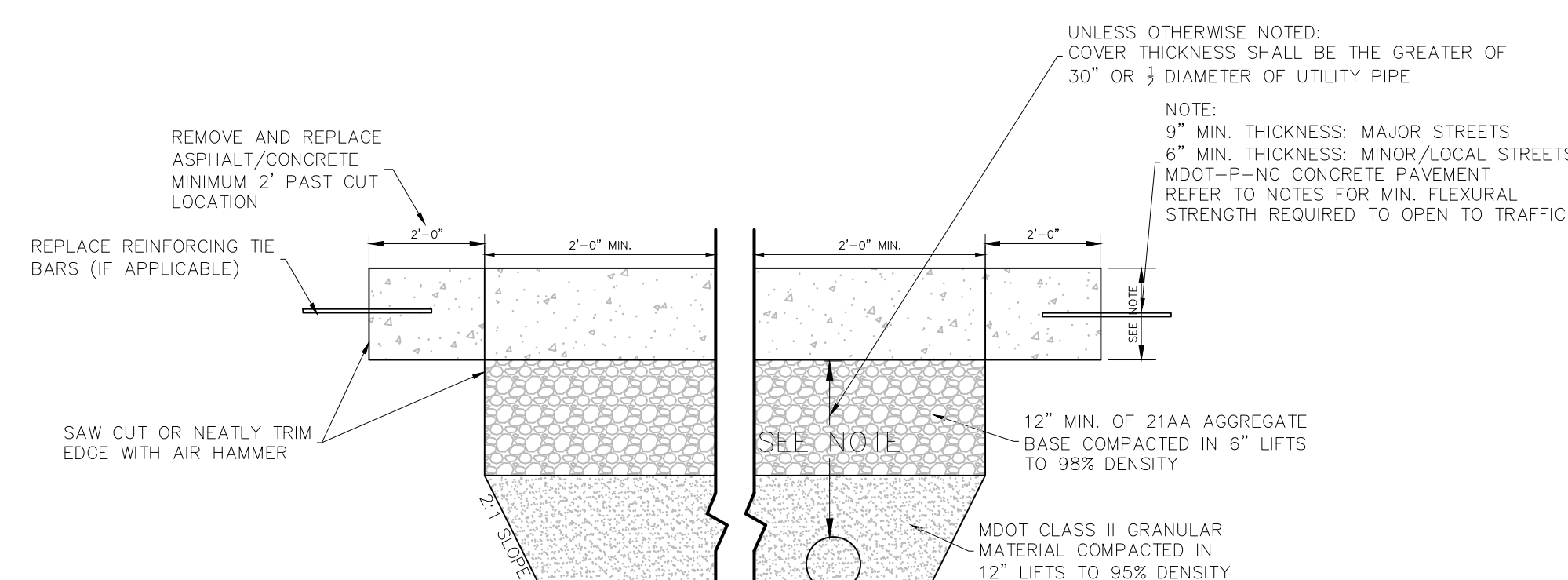
- NOTE:
- CUT SHALL BE PARALLEL OR PERPENDICULAR TO EDGE OF ROADWAY/GUTTER
 - *SS-1H @ 0.10/GAL/SYD BETWEEN LIFTS
 - PERFORMANCE GRADE BINDER TO BE USED: PG 64-28

RESIDENTAL / LOW TRAFFIC VOLUME ROAD ASPHALT UTILITY TRENCH DETAIL



- NOTE:
- CUT SHALL BE PARALLEL OR PERPENDICULAR TO EDGE OF ROADWAY/GUTTER
 - *SS-1H @ 0.10/GAL/SYD BETWEEN LIFTS
 - PERFORMANCE GRADE BINDER TO BE USED: PG 64-28
 - HEAVY COMMERCIAL ADT COULD WARRANT CHANGE TO DESIGN.

COMMERCIAL ROAD ASPHALT UTILITY TRENCH DETAIL

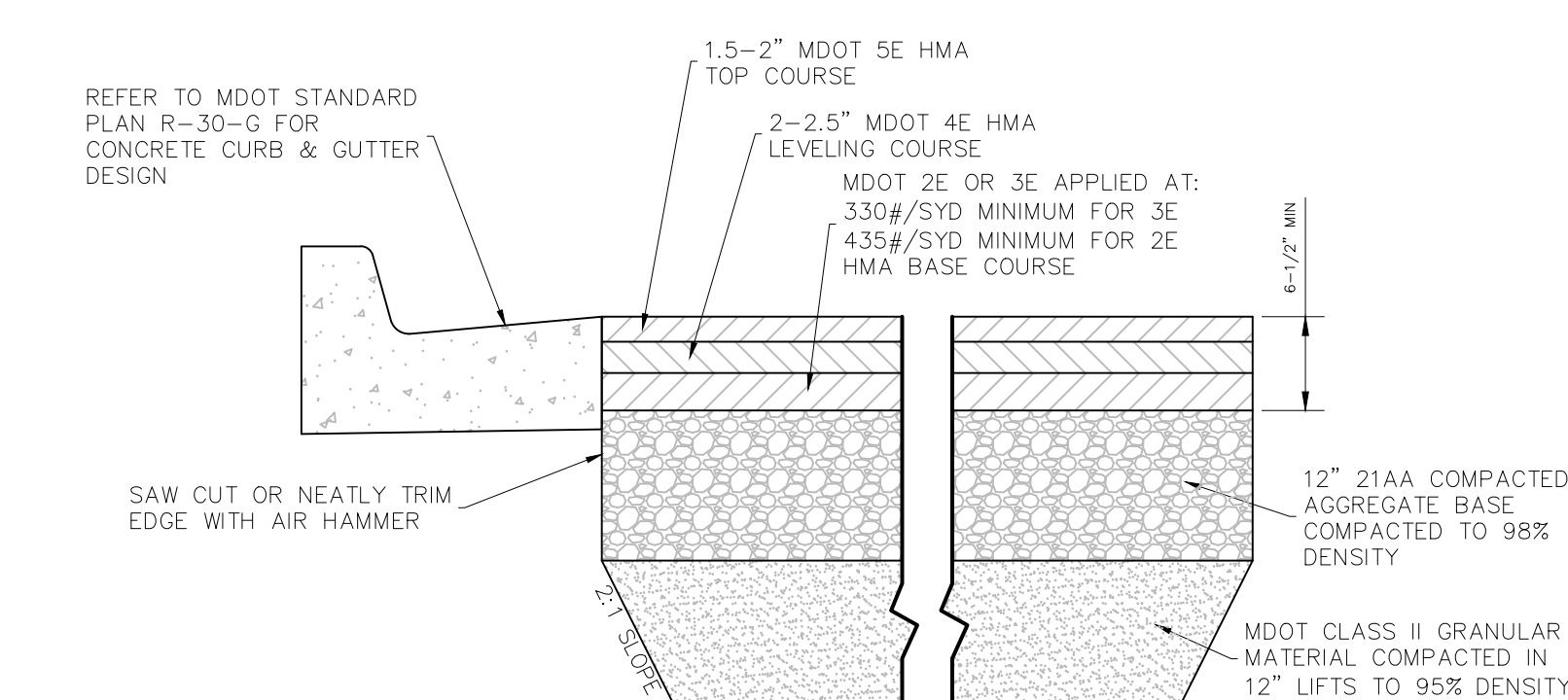


- NOTE:
- CUT SHALL BE PARALLEL OR PERPENDICULAR TO EDGE OF ROADWAY/GUTTER
 - FOR POTHoles 12" DIAMETER AND SMALLER - ALL CONCRETE
 - FOR 1' x 1' AND LARGER HAND COMPACT LAYERS AS SHOWN AND FINISH WITH CONCRETE

TYPICAL CUT USING PCC TO FILL (WINTER CUT)

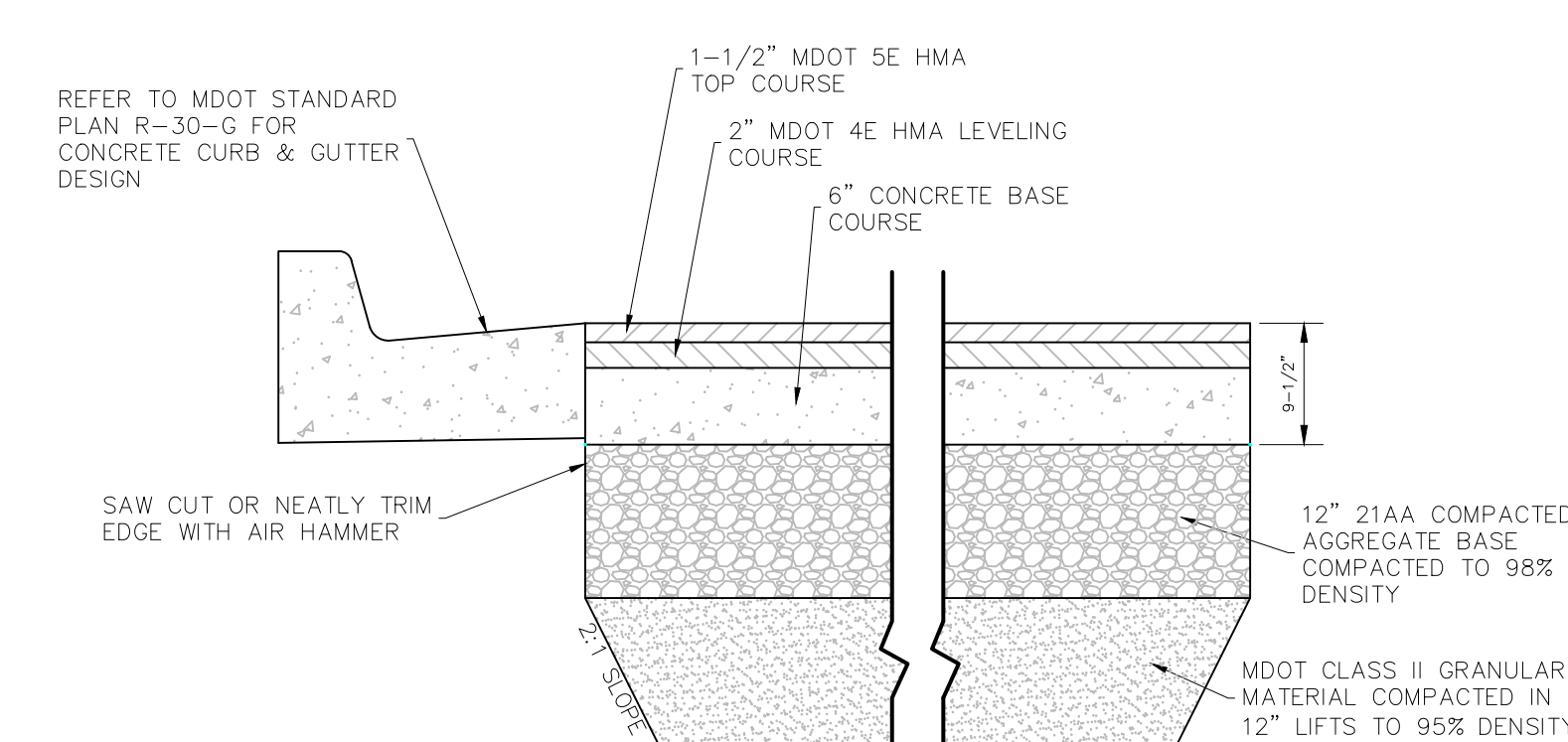
GENERAL NOTES:

- MDOT STANDARD PLANS R-28-J, R-29-I, R-30-G, AND R-44-F SHALL BE FOLLOWED IN CONJUNCTION WITH THESE STANDARD PLANS
- ALL SAW CUTTING SHALL BE DONE PERPENDICULAR AND PARALLEL TO THE DIRECTION OF TRAVEL
- SAW CUTTING SHALL PROVIDE A STRAIGHT, CLEAN, EDGE TO ENHANCE BONDING
- ALL CUTS SHALL BE RECTANGULAR AND NEATLY CUT TO AVOID SPALLING OF PAVEMENT
- IN GENERAL ALL ROAD/UTILITY CUTS OF AN AREA GREATER THAN 25SFT (5FTX5FT TYPICAL) SHALL EXTEND THE FULL WIDTH OF THE TRAVEL LANE
- FOR PAVEMENT WITH LOAD TRANSFER DOWEL RODS OR REINFORCEMENT: NEW LOAD TRANSFER DOWELS/REINFORCEMENT SHALL BE PLACED TO MAINTAIN BEARING CAPACITY OF ROADWAY
- CUTS LESS THAN 12" SHALL BE PATCHED WITH PCC. IF GREATER THAN 12", ENSURE CUT IS IN ACCORDANCE WITH STANDARD DETAILS AND MATCHING EXISTING ROADWAY
- BUMPS/CUTS/MILLED AREAS WITH EDGE GREATER THAN 2" DEEP/HIGH MUST BE WEDGED WITH HMA BEFORE OPEN TO TRAFFIC. SEE STANDARD DETAIL.
- MEANDERING SIDEWALK SHALL ONLY BE PLACED IN THE CITY'S ROW OR WHERE AN EASEMENT IS ESTABLISHED
- NEW SIDEWALK CONSTRUCTION SHALL MEET OR EXCEED CURRENT ADA AND ACCESSIBILITY STANDARDS
- REPLACED SIDEWALK SHALL, TO THE EXTENT PRACTICABLE, MEET OR EXCEED ADA AND ACCESSIBILITY STANDARDS
- SIDEWALK, DRIVEWAY OPENINGS & APPROACHES SHALL CONFORM TO MDOT STANDARD PLAN DETAILS R-28-J AND R-29-I
- MARSHALL MIX 13A (BASE/LEVELING) MAY BE SUBSTITUTED FOR SUPERPAVE HMA BASE MIX DESIGNS WITH CITY OF KALAMAZOO APPROVAL IF DEEMED APPROPRIATE BY THE ENGINEER
- ASPHALT BINDER SHALL BE INCLUDED IN THE PAY ITEM FOR HMA
- MDOT PCC P1 MIX DESIGN SHALL BE USED FOR ALL CONCRETE UNLESS OTHERWISE STATED OR DIRECTED BY THE ENGINEER
- OPENING TO TRAFFIC STRENGTHS (2012 STANDARD SPECIFICATIONS FOR CONSTRUCTION, TABLE 603-1):
 - <72 HOURS, GRADE P-NC, 300 psi
 - 72 HOURS +, GRADE P1, P1M, 550 psi



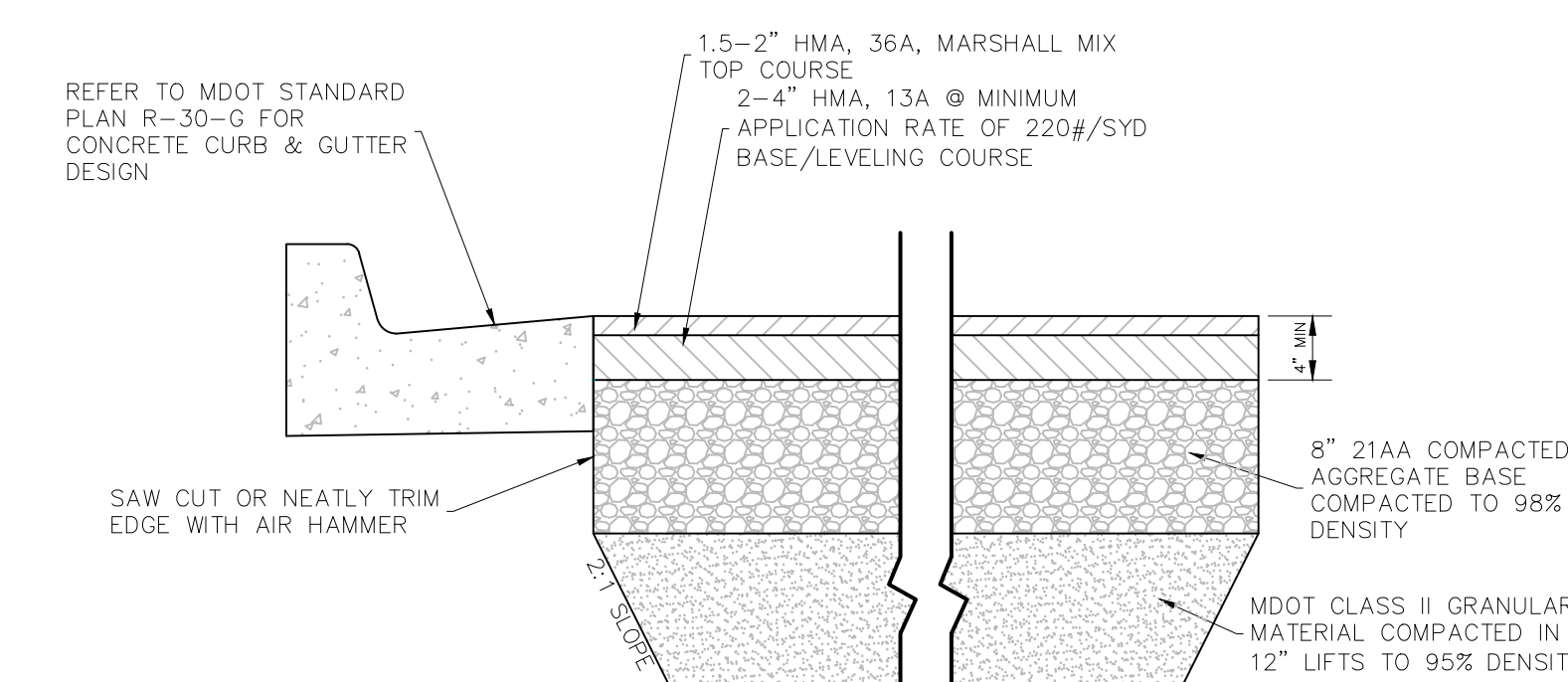
- NOTE:
- *SS-1H @ 0.10/GAL/SYD BETWEEN LIFTS
 - PERFORMANCE GRADE BINDER TO BE USED: PG 64-28

COMMERCIAL ROAD ASPHALT PAVEMENT DETAIL



- NOTE:
- *SS-1H @ 0.10/GAL/SYD BETWEEN LIFTS
 - PERFORMANCE GRADE BINDER TO BE USED: PG 64-28

ASPHALT PAVEMENT WITH CONCRETE BASE DETAIL



- NOTE:
- *SS-1H @ 0.10/GAL/SYD BETWEEN LIFTS
 - PERFORMANCE GRADE BINDER TO BE USED: PG 64-28

RESIDENTAL / LOW TRAFFIC VOLUME ROAD ASPHALT PAVEMENT DETAIL