



MANAGEMENT SERVICES DEPARTMENT

Purchasing Division

241 West South Street

Kalamazoo, MI 49007-4796

Phone: 269.337.8020

Fax: 269.337.8500

www.kalamazoocity.org

purchasing@kalamazoocity.org

ADDENDUM #1

February 2, 2022

TO: ALL Prospective Bidders
PROJECT NAME: Well Station 11 Filter Improvements
BID REFERENCE #: 91392-003.0
BID DUE/OPENING DATE: Wednesday, February 9, 2022 at 3:00 p.m. Local Time

The purpose of this addendum is to clarify and/or modify the Drawings and/or Specifications for this project. All work affected is subject to all applicable terms and conditions of the Bidding and Contract Documents.

- 1. See Addendum No. 1 (Addendum #1, Attachment A) for clarifications and changes made to the specifications and drawings provided by Fishbeck.**

The Addendum can be viewed and downloaded from the City's website at <https://www.kalamazoocity.org/bidopportunities>.

In order for a bid to be responsive, this addendum must be returned, signed and dated, with your bid. If you have already submitted your bid, acknowledge receipt and acceptance of this addendum by signing in the place provided and returning it to the undersigned and it shall be incorporated in your bid. Please identify your return envelope with the bid reference number and project description.

Sincerely,

A handwritten signature in blue ink that reads 'Michelle Emig'.

Michelle Emig

Purchasing Division Manager

c: Anna Crandall, Public Services
Steve Skalski, Public Services
Prevailing Wage File

FIRM: _____

SIGNED: _____

NAME: _____

DATE: _____

(Type or Print)



ADDENDUM #1

Attachment A

FISHBECK ADDENDUM NO. 1

Well Station 11 Filter Improvements

91392-003.0

ADDENDUM
PAGE 1 OF 1

OWNER:	City of Kalamazoo, Department of Public Services 415 Stockbridge Ave., Kalamazoo, MI 49001
ENGINEER:	Fishbeck 1515 Arboretum Drive, SE Grand Rapids, MI 49546
DRAWING REVISION NO.:	A1
ISSUED HEREWITH:	
SPECIFICATION SECTIONS:	01 11 00
SKETCHES:	
SHEETS:	P202
BIDS DUE:	Wednesday, February 9, 2022 @ 3:00pm

This Addendum is issued to all Bid Set Holders, is a part of the Contract Documents, and modifies the previously issued Bidding Documents. Acknowledge receipt of this Addendum in the space provided on the Bid form; failure to do so may result in rejection of the Bid.

ITEM NO. 1:

Section 01 11 00 – Summary of Work (not reissued)

A. Revise Paragraph 1.7.C.1:

1. One pressure filter must remain in service at all times during the period from October 1, 2022 to May 1, 2023.

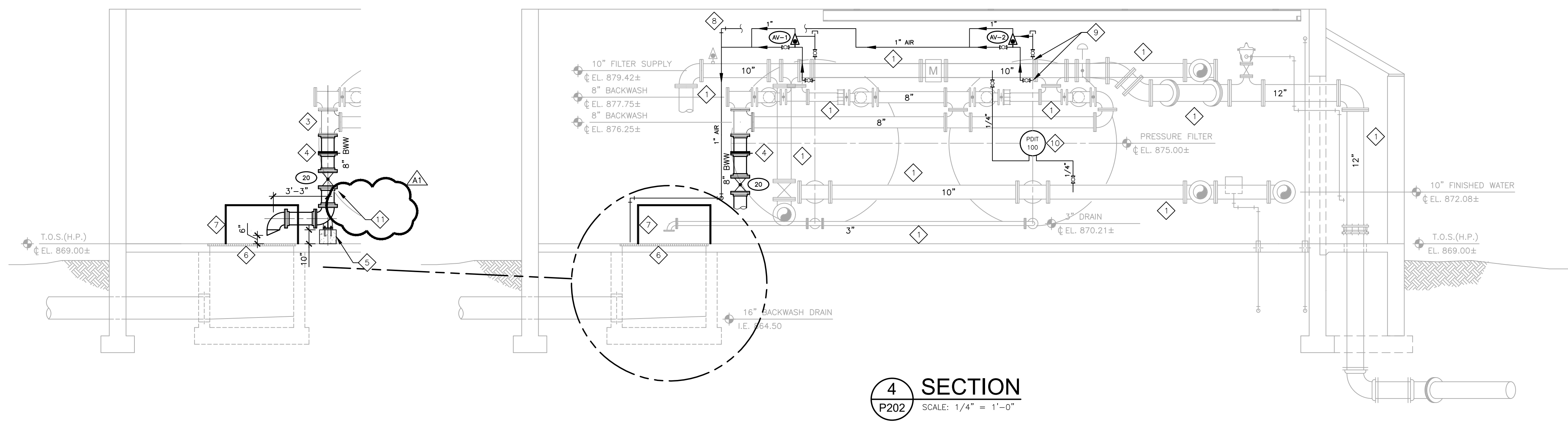
ITEM NO. 2:

Sheet: P202 - PIPING AND EQUIPMENT SECTIONS (reissued)

A. Add Keynote 11:

11. Relocate and reconnect three existing electrical conduits and conductors in this area where new 8" pipe is routed. Coordinate with City on shutdown of equipment these conductors supply during work.

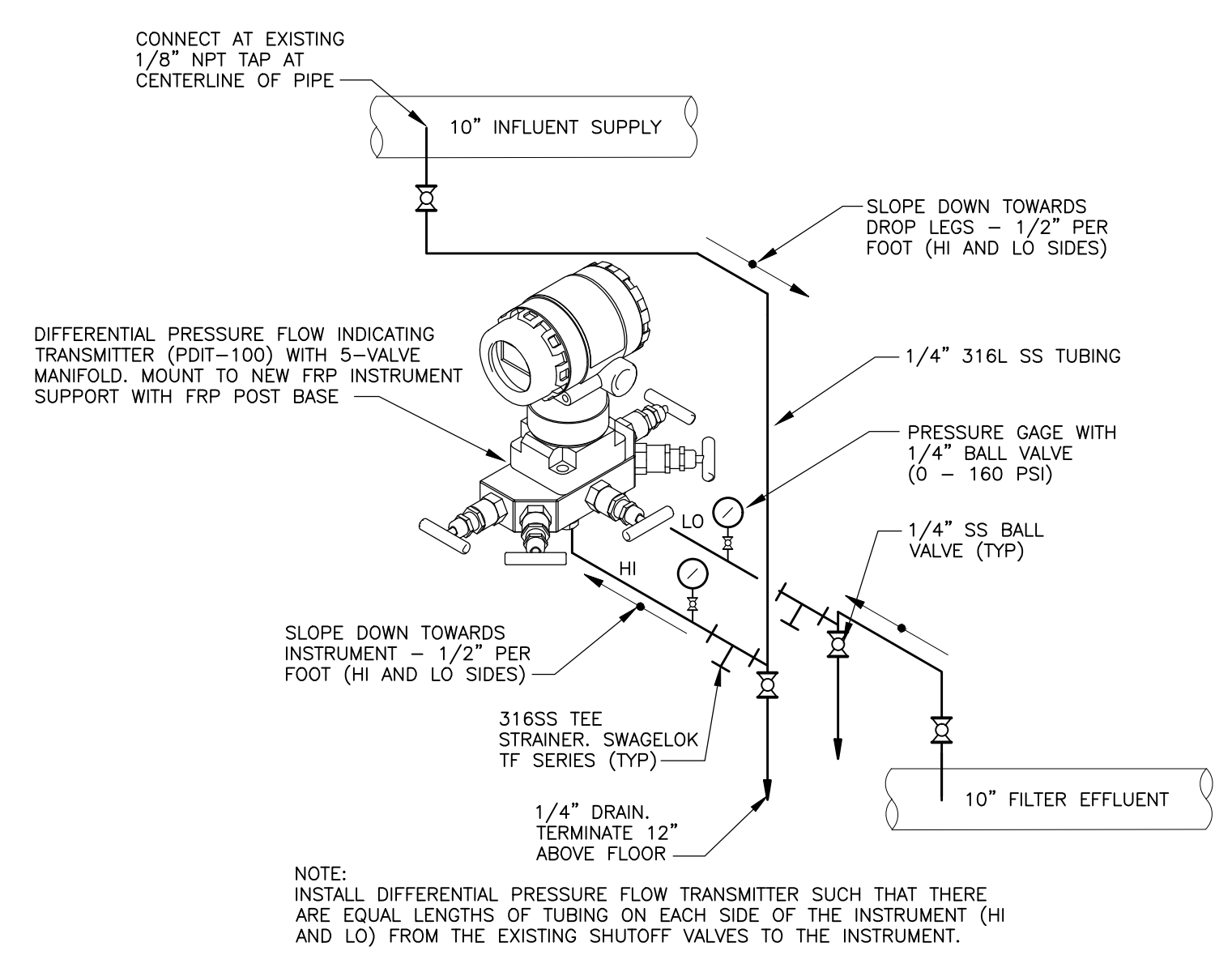
END OF ADDENDUM



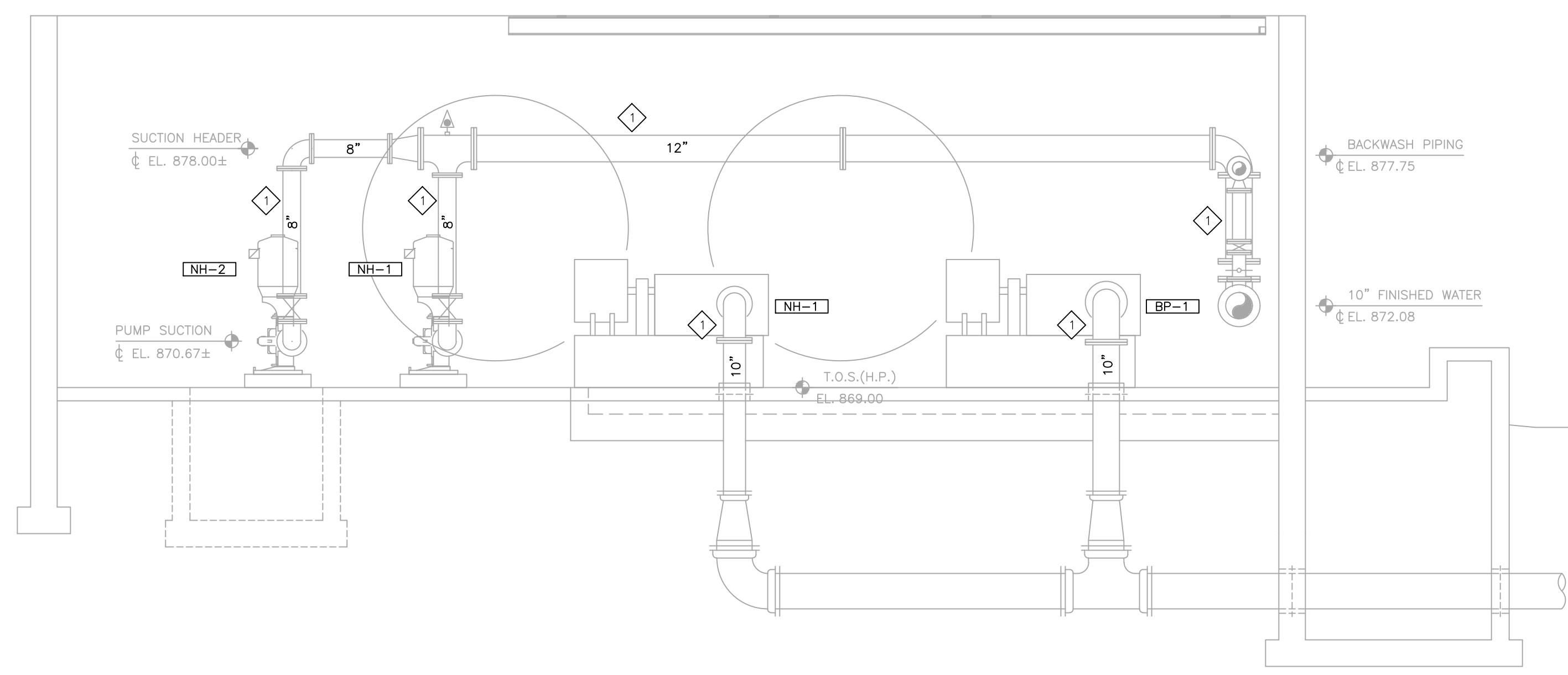
4 SECTION
 P202 SCALE: 1/4" = 1'-0"

NOTES

1. PROVIDE CLEANING AND COATING OF EXTERIOR OF FILTERS IN ACCORDANCE WITH SPECIFICATION SECTION 09 91 00.
2. PREPARE INTERIOR SURFACES OF FILTERS AND COAT INTERIOR SURFACES INCLUDING PARTITION WALL IN ACCORDANCE WITH SPECIFICATION SECTION 09 91 00.



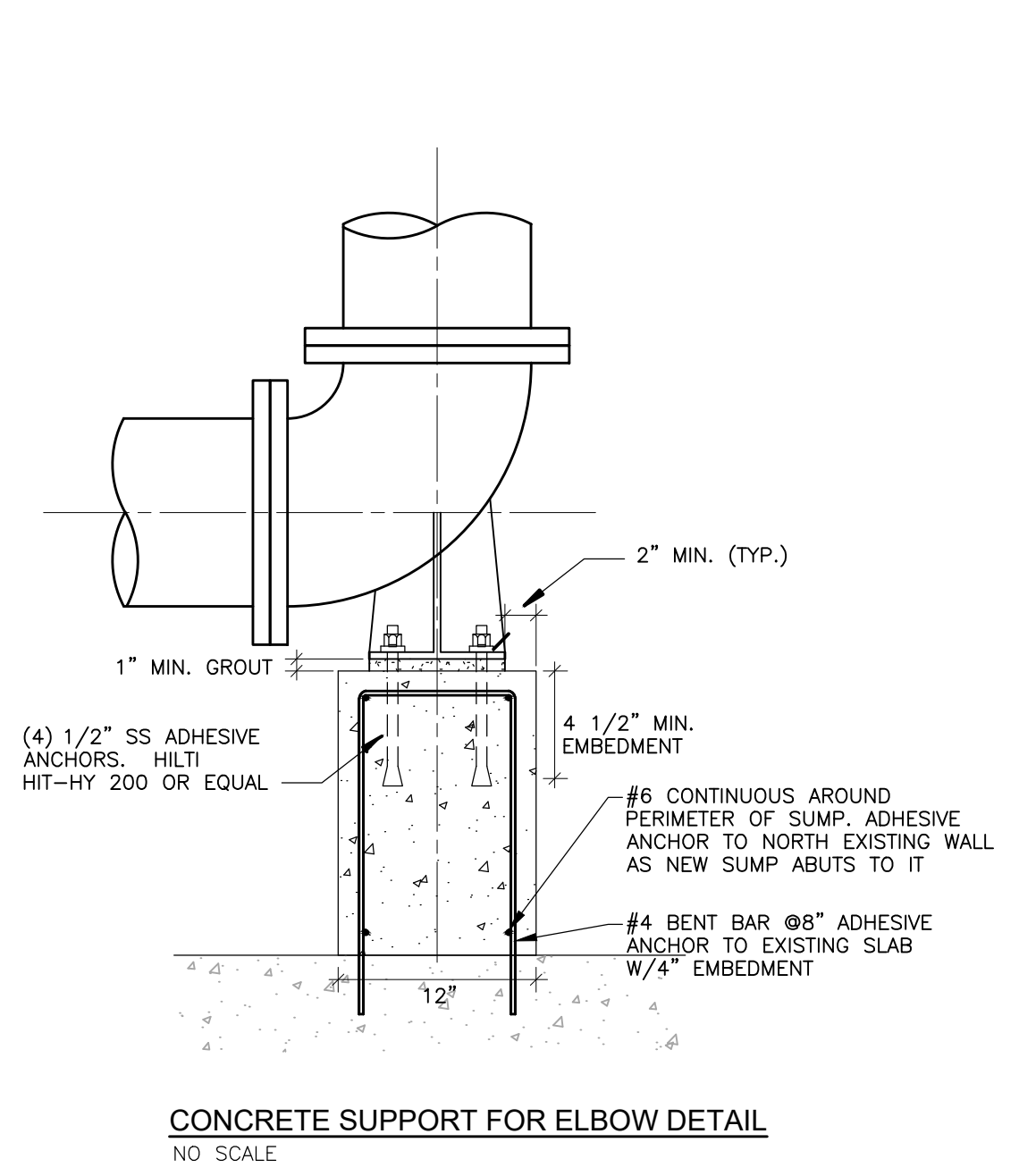
DIFFERENTIAL PRESSURE FLOW INDICATING TRANSMITTER INSTALLATION DETAIL
 NO SCALE



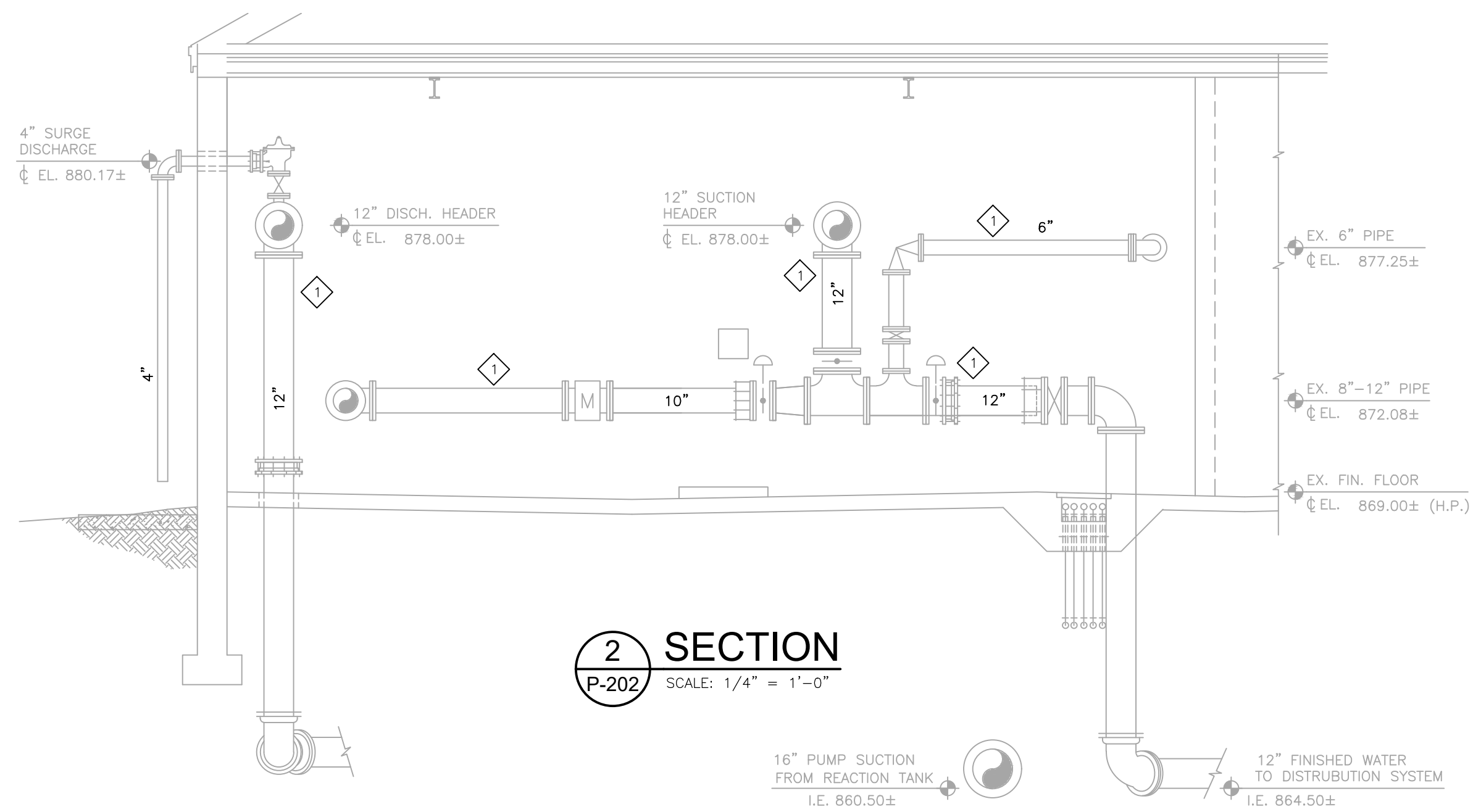
3 SECTION
 P202 SCALE: 1/4" = 1'-0"

KEY NOTES

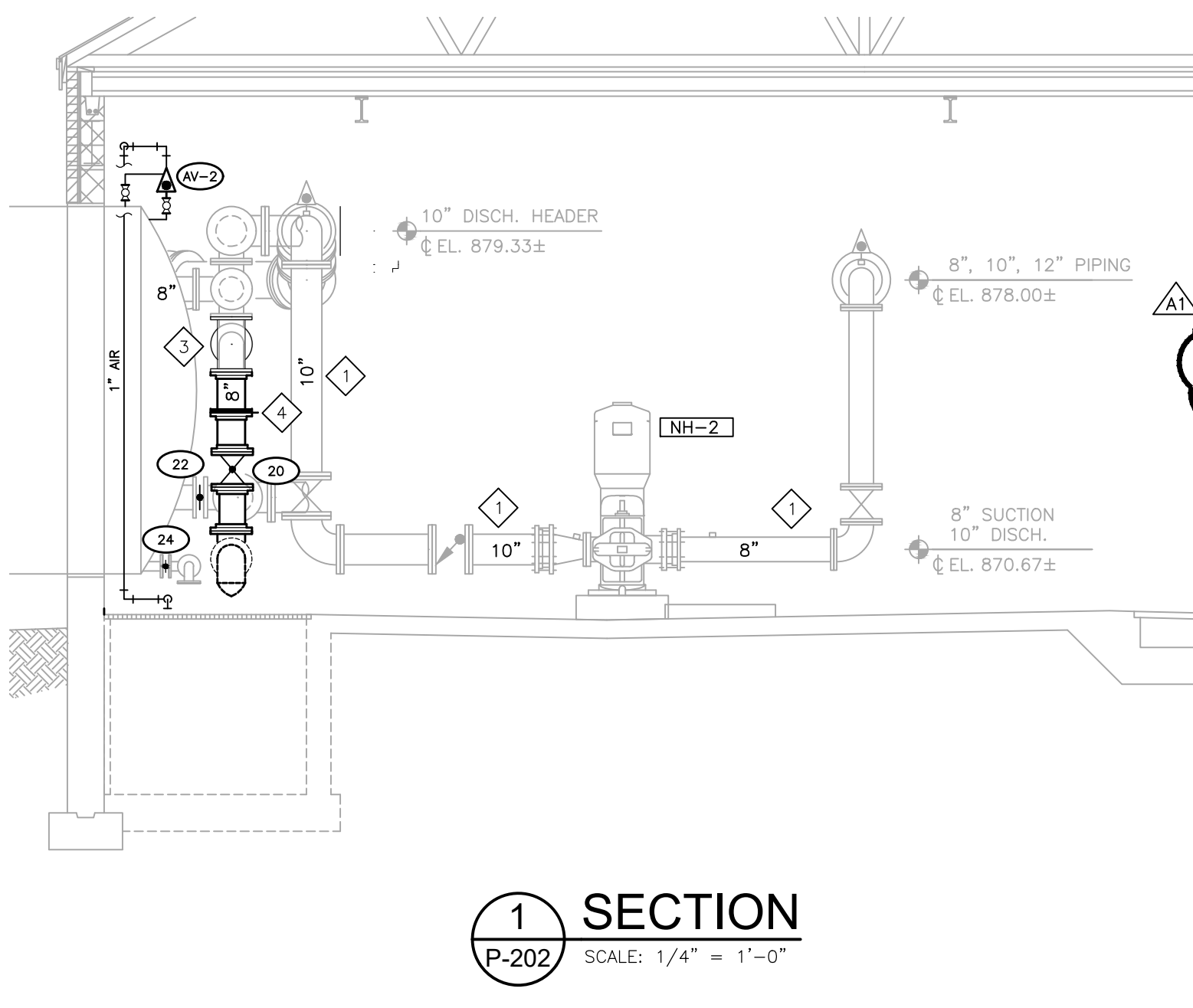
1. PROVIDE NEW COATING ON THE PROCESS PIPING INCLUDING VALVES AND APPURTENANCES IN PLACE AS SPECIFIED WITHIN SPECIFICATION SECTION 09 91 00.
2. INSTALL NEW 8" WAFER TYPE BUTTERFLY VALVE WITH HANDWHEEL ACTUATOR. INSTALL NEW 3" WAFER TYPE BUTTERFLY WITH HAND LEVER. (TYP. 2 PLACES)
3. REUSE AND ROTATE EXISTING 8" DI TEE.
4. 8" ORIFICE PLATE INSTALLED BETWEEN FLANGES. ORIFICE PLATE DIMENSIONS AS SPECIFIED IN 40 05 13. ON UPSTREAM SIDE OF ORIFICE PLATE, PROVIDE 8" GROOVED FLANGE ADAPTER.
5. PROVIDE 12" X 12" CONCRETE BASE FOR MOUNTING NEW 8" BASE ELBOW. SEE DETAIL ON THIS SHEET.
6. REUSE EXISTING SUMP GRATING.
7. PROVIDE PVC SPLASH GUARD AS SHOWN. FABRICATE SPLASH GUARD OUT OF 3/4" PVC SHEET STOCK AND ANCHOR TO WALL WITH 3/8" SS ANCHORS. INSTALLATION SIMILAR TO EXISTING. NOTCH OUT SPLASH GUARD AT PIPE PENETRATIONS. SPLASH GUARD NEEDS TO BE EASILY REMOVABLE.
8. 1" COPPER TUBING AND FITTINGS. PROVIDE BALL VALVES AS SHOWN. ROUTE TO SUMP AND TERMINATE WITH ELBOW 2" ABOVE GRATING.
9. CONNECT TO EXISTING 3/4" TAPS ON PRESSURE FILTERS. 2 LOCATIONS PER FILTER, TYPICAL OF 2 FILTERS. INSTALL COMBINATION AIR/VACUUM VALVE SUCH THAT CENTERLINE OF THE VALVE IS ABOVE THE TOP OF THE TANK.
10. PROVIDE (1) #16 TWISTED SHIELDED PAIR CABLE IN 3/4" RIGID STEEL CONDUIT BETWEEN CONTROL PANEL BP-CP AND INSTRUMENT. LIQUID-TIGHT FLEXIBLE METAL CONDUIT MAY BE USED FOR FINAL CONNECTION TO THE INSTRUMENT. UTILIZE SPARE TERMINAL BLOCKS AND SPARE ANALOG INPUT IN PANEL BP-CP FOR CONNECTION OF INSTRUMENT TO SCADA SYSTEM. PROVIDE ALL INTERNAL WIRING AND PROGRAMMING IN BP-CP PLC AS REQUIRED FOR INTEGRATION OF INSTRUMENT. SEE SPECIFICATION SECTION 40 90 00 FOR ADDITIONAL INFORMATION. PROVIDE PROGRAMMING FOR PANEL MOUNTED HMI SCREEN AND DETAIL ON THIS SHEET FOR PIPING REQUIREMENTS.
11. RELOCATE AND RECONNECT THREE EXISTING ELECTRICAL CONDUITS AND CONDUCTORS IN THIS AREA WHERE NEW 8" PIPE IS ROUTED. COORDINATE WITH CITY ON SHUTDOWN OF EQUIPMENT THESE CONDUCTORS SUPPLY DURING WORK.



CONCRETE SUPPORT FOR ELBOW DETAIL
 NO SCALE



2 SECTION
 P-202 SCALE: 1/4" = 1'-0"



1 SECTION
 P-202 SCALE: 1/4" = 1'-0"

PLOT INFO: Z:\2021\10091\CADD\20210911.DWG LAYOUT: P202 DATE: 2/1/2022 TIME: 11:57:11 AM USER: MPARSLEY