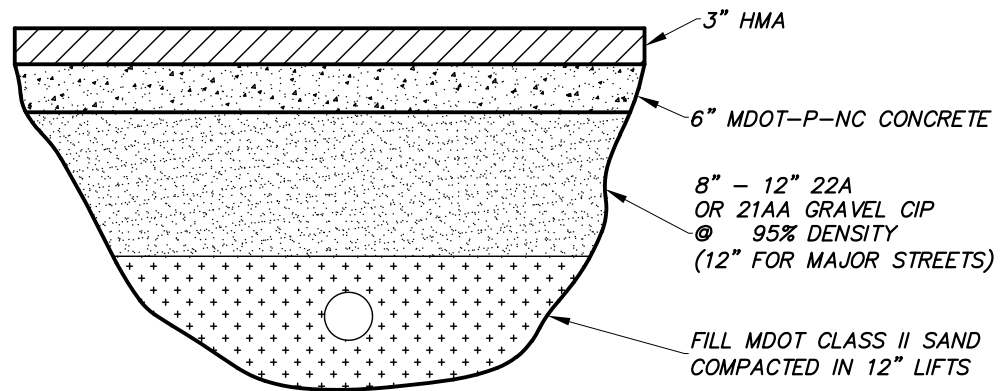


# STANDARD STREET CUT PROCEDURE



**NOTE:**

FOR POTHoles 12" DIA & SMALLER -ALL CONCRETE

FOR 1' X 1' & LARGER HAND COMPACT LAYERS AS SHOWN & FINISH WITH CONCRETE

FOR USE BETWEEN APRIL 15 AND NOVEMBER 15

SHEET 1 OF 3



CITY OF KALAMAZOO  
Department Of Public Services

## STANDARD STREET CUT PROCEDURE

10/30/18

RECOMMENDED BY \_\_\_\_\_ DATE \_\_\_\_\_

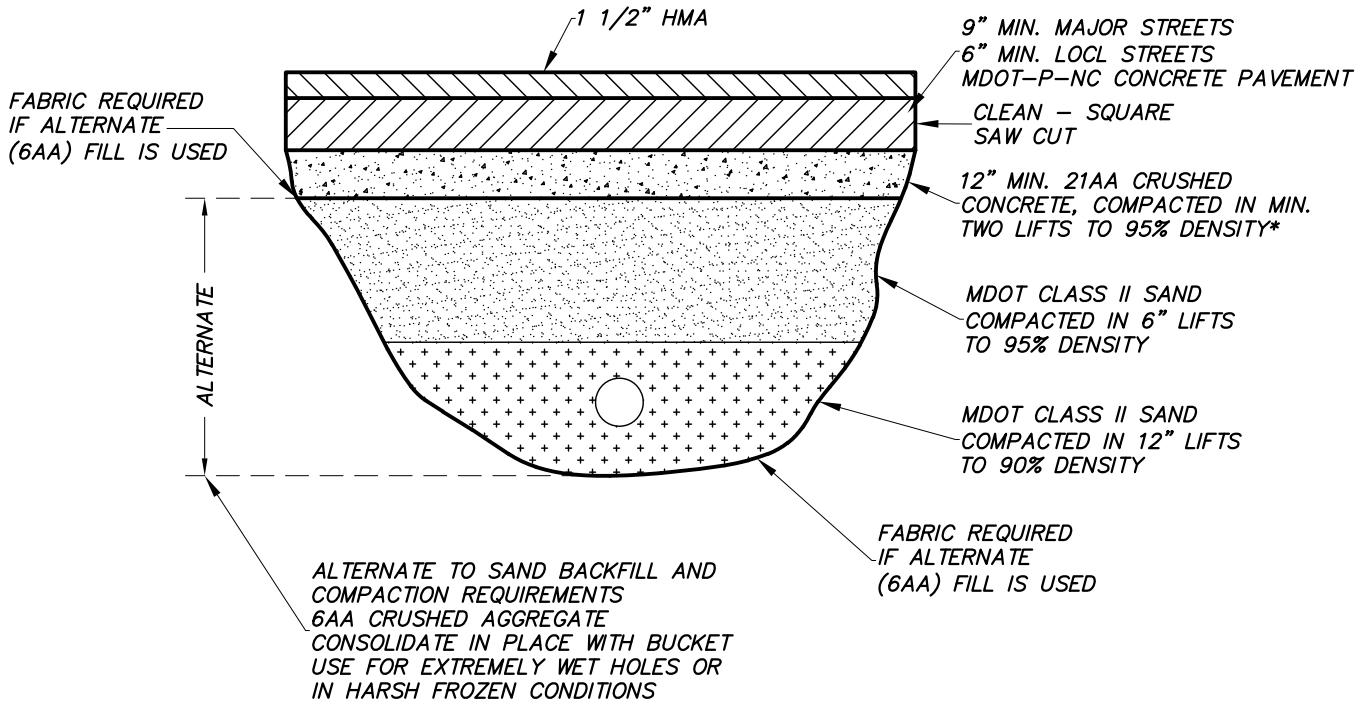
APPROVED BY \_\_\_\_\_

APPROVED BY \_\_\_\_\_

ACCEPTED BY \_\_\_\_\_

# WINTER STREET CUT PROCEDURE

WITH HMA TOP COAT



**NOTE:**

\* WHEN PERFORMING WORK ON RCKC OR MDOT MAINTAINED ROADWAY,  
REPLACE WITH 22A SUPPLIED FROM A CERTIFIED PIT

FOR POTHOLES 12" DIA & SMALLER -ALL CONCRETE

FOR 1' X 1' & LARGER HAND COMPACT LAYERS AS SHOWN & FINISH WITH CONCRETE

FOR USE BETWEEN APRIL 15 AND NOVEMBER 15 WHEN HMA OVERLAY IS REQUIRED  
AS DIRECTED BY ENGINEER

SHEET 2 OF 3



CITY OF KALAMAZOO  
Department Of Public Services

## WINTER STREET CUT PROCEDURE

10/26/18

RECOMMENDED BY \_\_\_\_\_ DATE \_\_\_\_\_

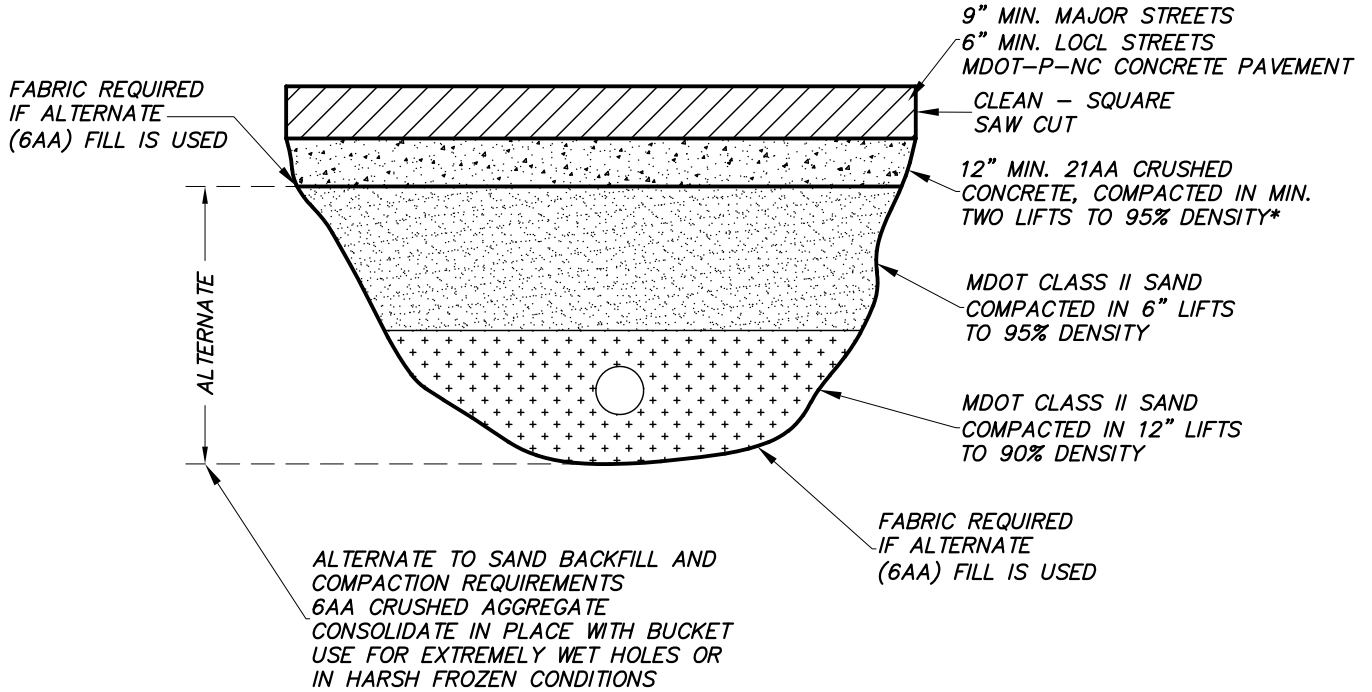
APPROVED BY \_\_\_\_\_

APPROVED BY \_\_\_\_\_

ACCEPTED BY \_\_\_\_\_

# WINTER STREET CUT PROCEDURE

WITH CONCRETE TOP COAT



**NOTE:**

\* WHEN PERFORMING WORK ON RCKC OR MDOT MAINTAINED ROADWAY,  
REPLACE WITH 22A SUPPLIED FROM A CERTIFIED PIT

FOR POTHOLES 12" DIA & SMALLER -ALL CONCRETE

FOR 1' X 1' & LARGER HAND COMPACT LAYERS AS SHOWN & FINISH WITH CONCRETE

FOR USE BETWEEN APRIL 15 AND NOVEMBER 15 WHEN HMA OVERLAY IS REQUIRED  
AS DIRECTED BY ENGINEER

SHEET 3 OF 3



CITY OF KALAMAZOO  
Department Of Public Services

## WINTER STREET CUT PROCEDURE

10/26/18

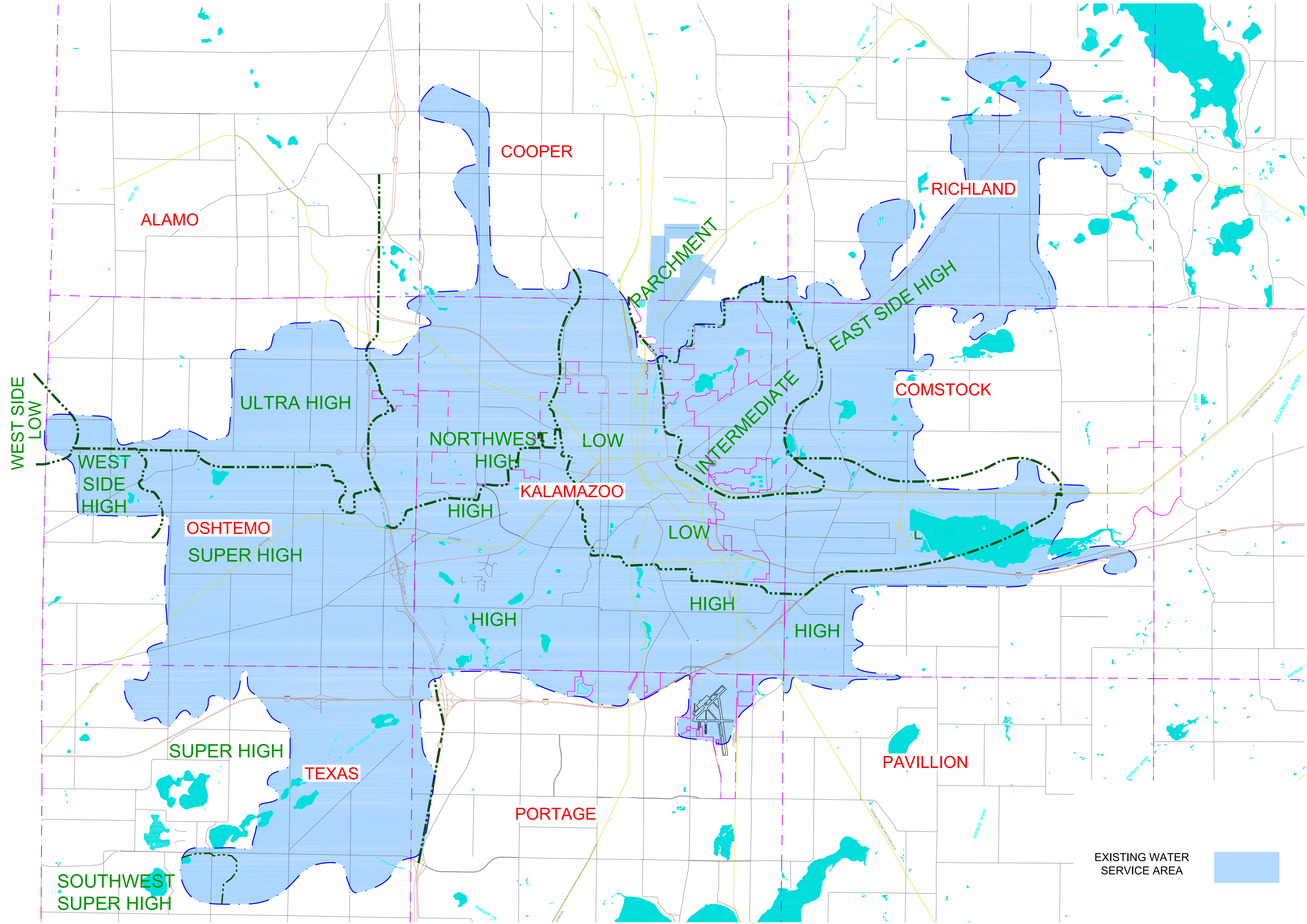
RECOMMENDED BY \_\_\_\_\_ DATE \_\_\_\_\_

APPROVED BY \_\_\_\_\_

APPROVED BY \_\_\_\_\_

ACCEPTED BY \_\_\_\_\_





EXISTING WATER SERVICE AREA

DATE: 02/13/20  
DRAWN BY: WEE

CITY OF KALAMAZOO WATER CURRENT SERVICE AREA ~ 2020

CITY OF KALAMAZOO  
Department Of Public Services  
Water Resource Division  
415 STOCKBRIDGE AVE.  
KALAMAZOO, MICHIGAN 49001  
PH.# (269)-337-8601 FAX # (269)-337-8533

SHEET 1 OF 1  
NO SCALE