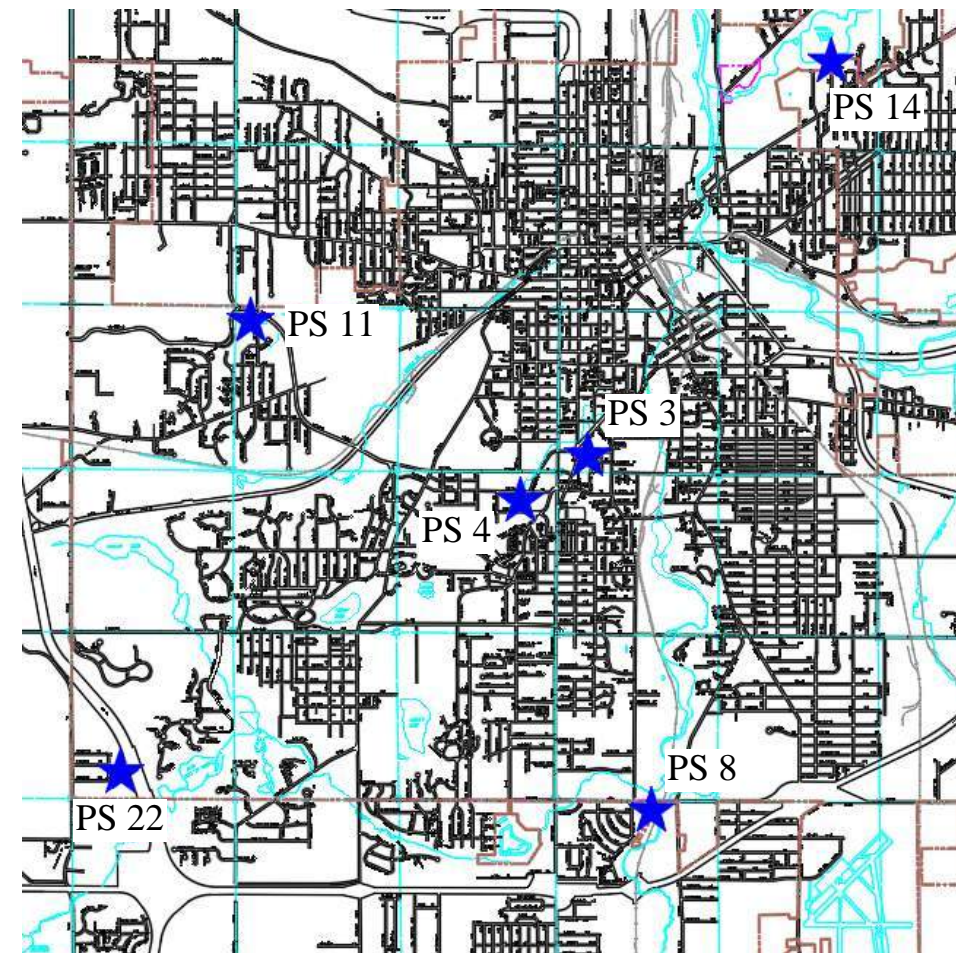


CITY OF KALAMAZOO
 DEPARTMENT OF PUBLIC SERVICES
 WATER RESOURCES DIVISION

STATION HYDRANTS PROJECT

Station	Address
3	331 Balch St, Kalamazoo, MI 49001
4	2000 W Crosstown Pkwy, Kalamazoo, MI 49008
8	200 E Kilgore Rd, Kalamazoo, MI 49001
11	432 Kendall Ave, Kalamazoo, MI 49006
14	2300 Henson, Kalamazoo, MI 49048
22	4419 Siesta St, Kalamazoo, MI 49009



PROJECT QUANTITIES			
Item	Description	Quantity	Unit
1	Mobilization	1	LS
2	Large Tap, 20x6	1	EA
3	Large Tap, 16x6	2	EA
4	Large Tap, 12x6	4	EA
5	Fire Hydrant	7	EA
6	Lawn Restoration	570	SY
7	Sidewalk Remove & Replace	100	SF
8	Road or Driveway Remove & Replace COK (Exhibit A)	12	SY
9	Water main, 2 inch, Cut and Cap	2	EA
10	Water main, 6 inch, Cut and Cap	1	EA
11	PS 22 Vault Removal	1	LS



APPROVED BY:
 THE CITY OF KALAMAZOO

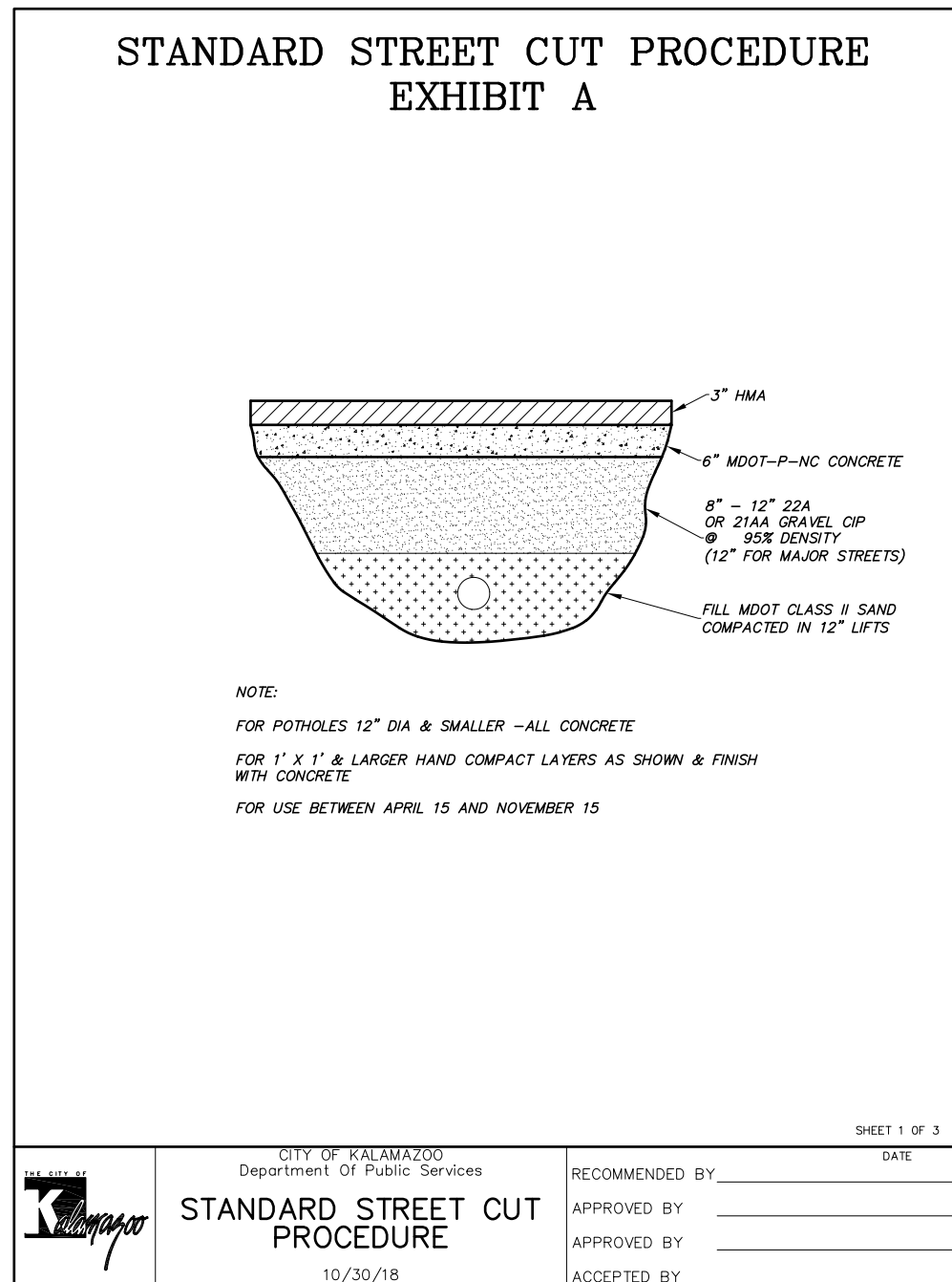
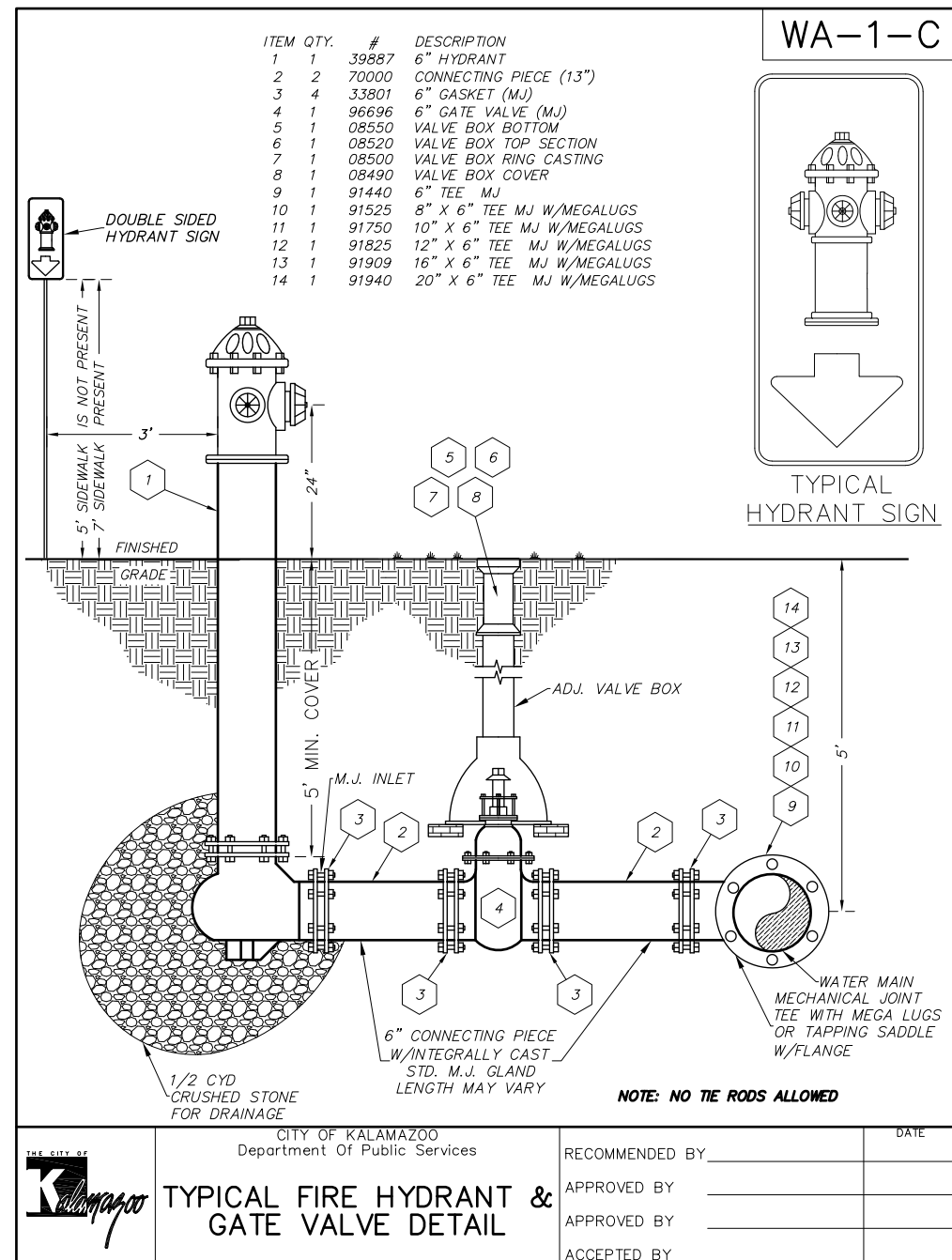
Joanna Crandall DATE: 05/03/2022

DEPARTMENT OF PUBLIC SERVICES
 SENIOR CIVIL ENGINEER



DEPARTMENT OF PUBLIC SERVICES
 415 E. STOCKBRIDGE AVE., KALAMAZOO, MI 49001
 PH. # (269) 337 - 8000

EGLE PA 399 PERMIT
 #225039 ISSUED 6/1/2022



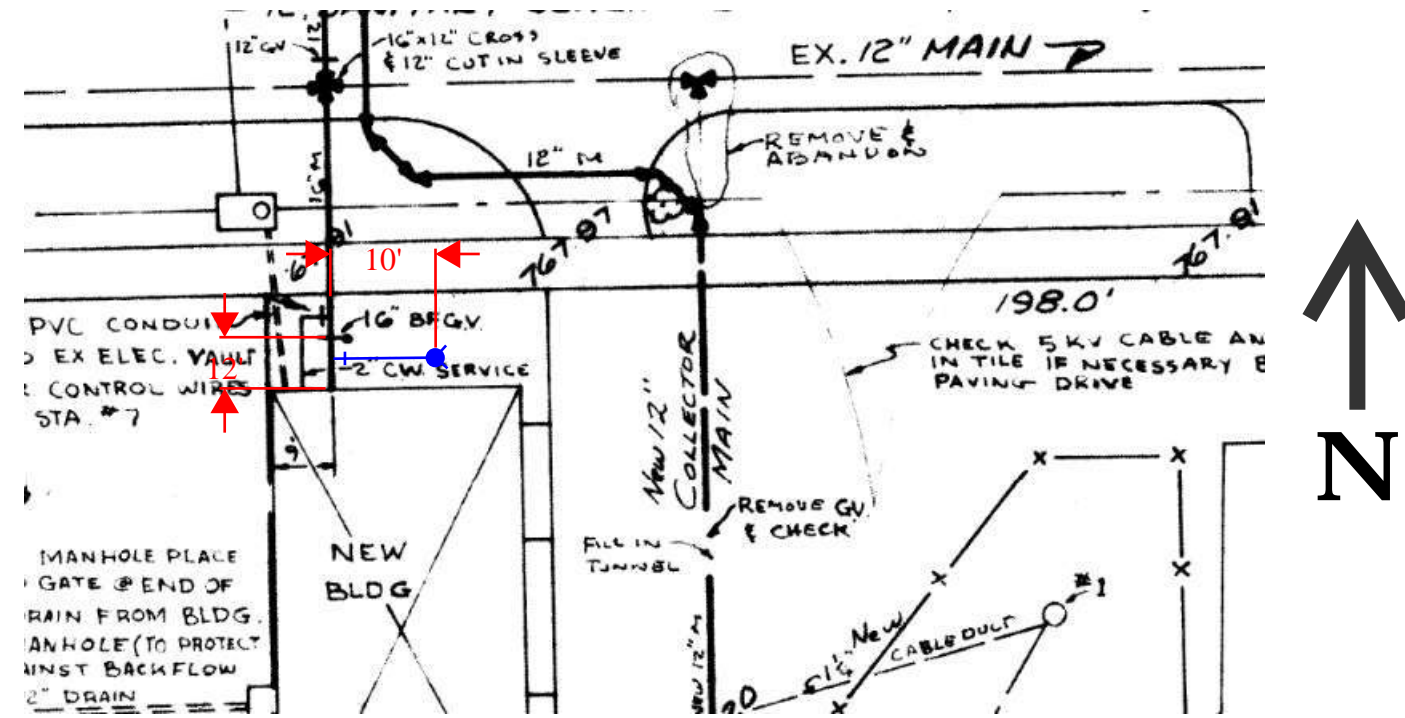
PROJECT NOTES

1. THE CITY OF KALAMAZOO WILL SUPPLY THE CONTRACTOR WITH THE HYDRANTS. THE CONTRACTOR SHALL PICK UP THE HYDRANTS FROM THE CITY YARD AT 415 E. STOCKBRIDGE AVE.

2. CONTRACTOR SHALL PAINT THE ENTIRETY OF EACH HYDRANT JOHN DEERE GREEN FOLLOWING INSTALLATION. PAYMENT SHALL BE INCLUDED WITH ITEM FIRE HYDRANT. THE PAY ITEM FIRE HYDRANT SHALL ALSO INCLUDE 6-INCH PIPING FOR THE HYDRANT LEAD UP TO 15-FEET.

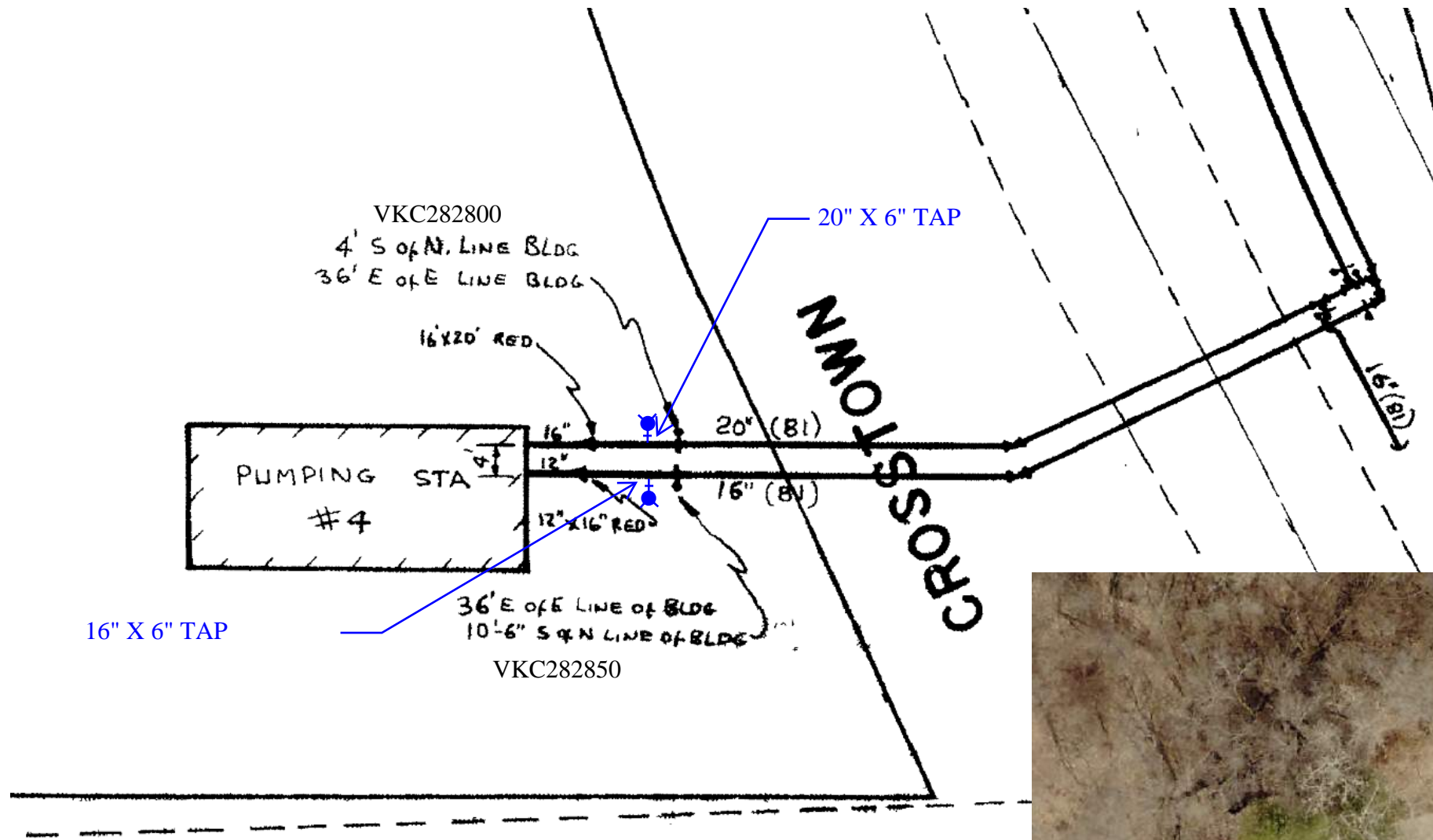
3. WORK AS SHOWN ON PLANS SHALL BE COMPLETED IN ACCORDANCE WITH THE CITY OF KALAMAZOO STANDARD SPECIFICATION FOR WATER MAIN AND SERVICE INSTALLATION, 2021, EXCEPT AS NOTED OTHERWISE.

PUMP STATION 3

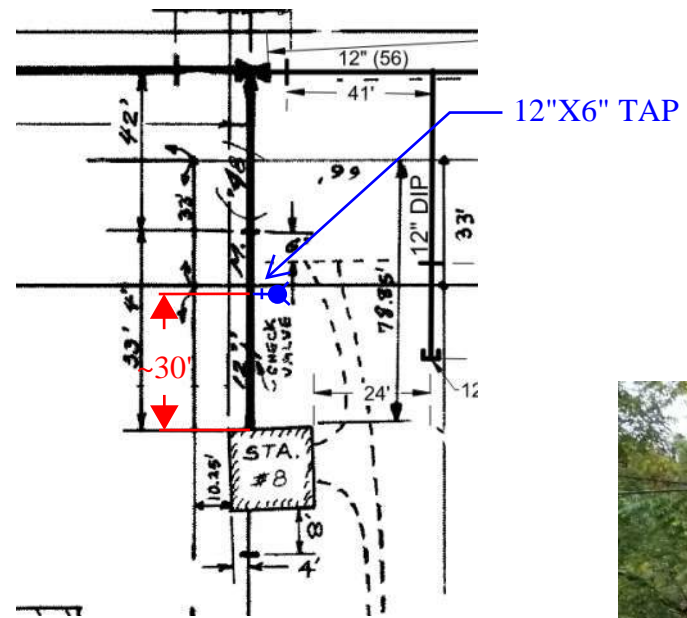


PROPOSED
HYDRANT
LOCATION

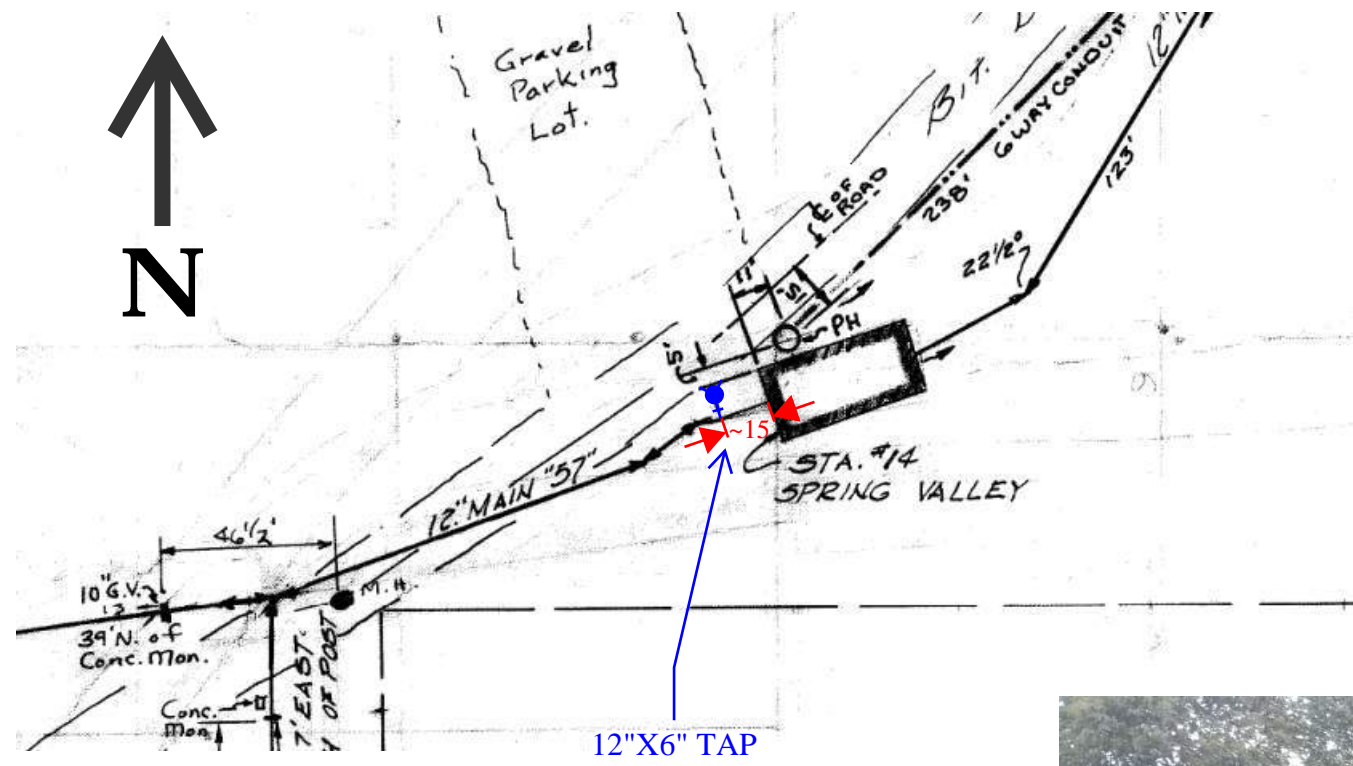
PUMP STATION 4



PUMP STATION 8



PUMP STATION 14



PUMP STATION 22

2EA - WATER MAIN,
2 INCH, CUT AND
CAP

WATER MAIN, 6
INCH, CUT AND CAP

