



Department of Management Services
Purchasing Division
241 West South Street
Kalamazoo, MI 49007-4796
Phone: 269.337.8020
Fax: 269.337.8500
www.kalamazoo.org

MANDATORY SITE INSPECTION: Contact Rachel Hughes-Nilsson at (269) 760-2142
All appointments must be completed by March 2, 2022
Location: Bronson Park

INVITATION FOR BID (IFB)

The City of Kalamazoo, Michigan is soliciting sealed bids for:

Project Name: Bronson Park Mound Improvements-REBID

Bid Reference #: 98852-064.0

IFB ISSUE DATE: February 18, 2022

BID DUE/OPENING DATE: March 17, 2022 @ 3:00 p.m. Local Time

Facsimile Bids Will Not Be Accepted.

MAILING ADDRESS & INSTRUCTIONS

Mail to:

Purchasing Division
241 W. South Street
Kalamazoo, MI 49007

Questions about this IFB should be directed to:

Patrick McVerry, Parks & Recreation

Interim Director at mcverryp@kalamazoo.org

or

Rachel Hughes-Nilsson, Landscape Architect

with OCBA at rhnilsson@ocba.com

Include on the Envelope the Project Name and Bid Reference Number. All Envelopes Must Be Sealed.

You are invited to submit a bid for this project. Specifications, terms, conditions and instructions for submitting bids are contained herein. This Invitation for Bid with all pages, documents and attachments contained herein, or subsequently added to and made a part hereof, submitted as a fully and properly executed bid shall constitute the contract between the City and the successful bidder when approved and accepted on behalf of the City by an authorized official or agent of the City. Please review the bid document as soon as possible and note the **DEADLINE FOR QUESTIONS** in the Instructions to Bidders.

All bidders shall complete and return the Bid and Award page(s) and submit all information requested herein in order for a bid to be responsive. The bid document shall be returned in its entirety, in a properly identified and sealed envelope to the Purchasing Division at the above address. **BIDS MUST BE RECEIVED BEFORE THE DUE DATE - LATE BIDS WILL NOT BE CONSIDERED.** The City reserves the right to postpone the bid opening for its own convenience.

TABLE OF CONTENTS

<u>SECTION</u>	<u>PAGE #</u>	<u>APPENDICES</u>
	Statement of No Bid	Appendix A
I	Instructions to Bidders	Project Manual
II	Bid & Award Pages	Drawings
III	Insurance Requirements	
IV	General Provisions	
V	Terms & Conditions	

STATEMENT OF NO BID

NOTE: If you DO NOT intend to bid on this commodity or service, please complete and return this form immediately. Your response will assist us in evaluating all responses for this important project and to improve our bid solicitation process.

The Purchasing Division of the City of Kalamazoo wishes to keep its bidders list file up-to-date. If, for any reason you cannot supply the commodity/service noted in this bid solicitation, this form must be completed and returned to remain on the particular bid list for future projects of this type.

If you do not respond to this inquiry within the time set for the bid opening date and time noted, we will assume that you can no longer supply this commodity/service, and your name will be removed from this bid list.

- _____ Specifications too "tight", i.e. geared toward one brand or manufacturer only (explain below).
- _____ Specifications are unclear (explain below).
- _____ We are unable to meet specifications.
- _____ Insufficient time to respond to the Invitation for Bid.
- _____ Our schedule would not permit us to perform.
- _____ We are unable to meet bond requirements.
- _____ We are unable to meet insurance requirements.
- _____ We do not offer this product or service.
- _____ Remove us from your bidders list for this commodity or service.
- _____ Other (specify below).

REMARKS: _____

SIGNED: _____ NAME: _____
(Type or Print)

TITLE: _____ DATE: _____

FIRM NAME: _____
(if any)

ADDRESS: _____
(Street address) (City) (State) (Zip)

PHONE: _____ FAX: _____

EMAIL: _____

**SECTION I
INSTRUCTIONS TO BIDDERS**

1. **EXAMINATION OF BID DOCUMENT**-Before submitting a bid, bidders shall carefully examine the specifications and shall fully inform themselves as to all existing conditions and limitations. The bidder shall indicate in the bid the sum to cover the cost of all items included on the bid form.
2. **PREPARATION OF BID**-The bid shall be legibly prepared in ink or typed. If a unit price or extension already entered by the bidder on the Bid and Award form is to be altered, it shall be crossed out and the new unit price or extension entered above or below and initialed by the bidder with ink. The bid shall be legally signed, and the complete address of the bidder given thereon.

All bids shall be tightly sealed in an envelope plainly marked SEALED BID and identified by project name, bid opening date and time. Bids opened by mistake, due to improper identification, will be so documented and resealed. The Purchasing Division will maintain and guarantee confidentiality of the contents until the specified opening date and time. Bids submitted by Fax machine will not be accepted.

3. **EXPLANATION TO BIDDERS**-Any binding explanation desired by a bidder regarding the meaning or interpretation of the Invitation for Bid (IFB) and attachments must be requested in writing, **at least business 5 days before the bid opening** so a reply may reach all prospective bidders before the submission of bids. Any information given to a prospective bidder concerning the IFB will be furnished to all prospective bidders as an amendment or addendum to the IFB if such information would be prejudicial to uninformed bidders. Receipt of amendments or addenda by a bidder must be acknowledged in the bid by attachment, or by letter or fax received before the time set for opening of bids. Oral explanation or instructions given prior to the opening will not be binding.
4. **CASH DISCOUNTS**-Discount offered for payment of less than thirty (30) days will not be considered in evaluating bids for award. Offered discounts of less than thirty (30) days will be taken if payment is made within the discount period, even though not considered in evaluation of the bid.
5. **WITHDRAWAL OF BIDS**-Bids may be withdrawn in person by a bidder or authorized representative, provided their identity is made known and a receipt is signed for the bid, but only if the withdrawal is made prior to the exact time set for receipt of bid. No bid may be withdrawn for at least ninety (90) days after bid opening.
6. **ALTERNATE BIDS**-bidders are cautioned that any alternate bid, unless specifically requested or any changes, insertions or omissions to the terms and conditions, specifications or any other requirement of this IFB may be considered non-responsive, and at the option of the City, result in rejection of the alternate bid.
7. **LATE BIDS**-Any bid received at the office designated herein after the exact time specified for receipt will not be considered. (Note: The City reserves the right to consider bids that have been determined by the City to be received late due to mishandling by the City after receipt of the bid and no award has been made.)
8. **UNIT PRICES**-If there is a discrepancy between unit prices and their extension, unit prices shall prevail.

SECTION II
BID AND AWARD

The undersigned having become thoroughly familiar with all of the bid/contract documents incorporated herein, the project site and the location conditions affecting the work, hereby proposes to perform everything required to be performed in strict conformity with the requirements of these documents, and to provide and furnish all the equipment, labor and materials necessary to complete in a professional manner the furnishing and installing of all of the following, meeting or exceeding the specifications as set forth herein for the prices as stated below.

BRONSON PARK MOUND IMPROVEMENTS-REBID

Item No.	Description	Quantity	Unit	Unit Price	Total Price
1	Remove Spoils from Site	2	CY		
2	Remove existing concrete foundation	1	EA		
3	Clearing and Grubbing	2,300	SF		
4	Site Construction Fencing	600	LF		
5	Tree Protection Fencing	370	LF		
6	Soil Erosion Control	1	LS		
7	Interpretive Signage	4	EA		
8	Grandfather Stones	1	LS		
9	Sand Subbase	5	CY		
10	Native Plantings	172	EA		
11	Groundcover Plants	760	EA		
12	Planting Soils	50	CY		
13	Plant Bed Wood Mulch	32	CY		
14	Metal Edging	333	LF		
15	Earthwork	1	LS		
16	Spread Topsoil/Fine Grade	50	CY		
17	Turf Renovations	1	LS		
18	Irrigation Revisions	1	LS		
TOTAL BID AMOUNT:				\$	

Bidder shall provide all of the information as requested herein with their bid. **Failure to do so and/or failure to provide post-bid requested information may be cause for rejecting the bid as non-responsive.**

Bidder/Contractor has examined and carefully studied the bidding documents and attachments, and acknowledges receipt of the following addenda:

Addendum No: _____

Dated: _____

Work shall start within 10 working days after receipt by Contractor of Notice to Proceed and shall be completed by **October 1, 2022.**

The City encourages the use of local labor in fulfilling the requirements of this contract.

By my signature below, I certify that the firm bidding on this contract, when making hiring decisions, does not use a past criminal conviction as a bar to or preclude a person with a criminal conviction from being considered for employment with the bidding firm unless otherwise precluded by federal or state law. I further certify that I have read and agree to be bound by the provisions of the City’s Non-Discrimination Clause found in Appendix A as updated by City Ordinance 1856.

Signed: _____ Name: _____

Title: _____

CITY OF KALAMAZOO EX-OFFENDER POLICY CHECKLIST

As part of the City’s commitment to reducing unacceptable poverty, encouraging rehabilitation, reducing recidivism and strengthening families in Kalamazoo, the City has updated its Purchasing Policy to ensure that firms with whom the City does business share in this commitment by utilizing hiring practices that do not unfairly deny people with arrest and conviction records gainful employment. *(Important: This requirement also extends to any subcontractors the bidder intends to use to fulfill the contract for goods or services being sought from the City.)*

Part I: Proof that the bidder does not inquire about an individual’s past arrest or criminal history on the bidders employment application form

- Attach a copy of the current application for employment being used by the bidder

Part II: Certification that the bidder does not use an individual’s past arrest or criminal history to unlawfully discriminate against them by checking *one or more* of the following:

- That pursuant to federal or state law bidder is precluded from hiring persons with certain criminal records from holding particular positions or engaging in certain occupations by providing a cite to the applicable statute or regulation; if checking this box, provide a citation to the applicable statute or rule upon which the bidder is relying: _____
- That bidder conducts criminal history background checks only as necessary, and only after making a conditional offer of employment; that any withdrawal of an offer of employment to an individual because of a past criminal history is job-related and consistent with business necessity after the individual has been provided an individualized assessment opportunity to review and challenge or supplement the history of past criminal conduct being relied upon by the bidder;
- That the use by bidder of criminal history background checks complies with the U.S. Equal Employment Opportunity Commission’s Enforcement Guidance on the Consideration of Arrest and Conviction Records in Employment Decisions and that the bidder has not had a determination rendered against it in past 7 years that it discriminated against a person through the use of an individual’s arrest or criminal history

I CERTIFY THAT THE ABOVE STATEMENTS ARE TRUE.

Date

Signature

Printed Name

Position

**CITY OF KALAMAZOO
LOCAL PREFERENCE POLICY AND CERTIFICATION**

The lowest responsive Kalamazoo County bidder whose bid is not low but falls within 2% of the lowest responsive bid is afforded the opportunity to become the successful bidder if it agrees to reduce its bid to match the lowest responsive bid. The City of Kalamazoo is the sole determiner whether a bidder is responsible, qualifies as a Kalamazoo County bidder, and if its bid is responsive to the City’s specifications, terms and conditions.

If the lowest Kalamazoo County bidder chooses not to match the lowest bid, the next lowest responsive Kalamazoo County bidder whose bid falls within 2% of the lowest bid, is given the opportunity to match the lowest responsive bid.

To qualify as a Kalamazoo County bidder, the bidder must meet both the following criteria:

1. Have a physical presence in Kalamazoo County by maintaining a permanent office, factory or other facility in Kalamazoo County with employees working in Kalamazoo County.
2. Have paid real or personal property taxes related to said business to the City of Kalamazoo, County of Kalamazoo or other municipal corporation within Kalamazoo County in the previous tax year, except that a non-profit entity need not meet this requirement.

This local preference policy applies only to purchases for materials, supplies, capital outlay, and services for maintenance, repair or operation of City facilities that are over \$25,000. If more than 50% of the contract is sub-contracted to firms located outside of Kalamazoo County that bid does not qualify for the local preference policy outlined above. The local preference policy will not apply if prohibited by law. The Purchasing Agent has the authority to finally determine if the bidder qualifies as a Kalamazoo County bidder as set forth herein. The Purchasing Agent may take into account the permanency of the business in Kalamazoo, and whether the business appears to be claiming to be a Kalamazoo County business solely or primarily to qualify as a Kalamazoo County business under this Resolution, and any other material factors.

CERTIFICATION

If you qualify as a Kalamazoo County bidder and wish to be considered for the local preference provisions as provided above please certify that fact by providing the information requested below and attesting to its accuracy.

Firm Name: _____

Street Address of Business: _____

City, State, and Zip Code: _____

Number of employees working in Kalamazoo County: _____

Name the city or township to which business real and/or personal property taxes are paid or provide non-profit status:

The above information is accurate:

Signature: _____

Date: _____

Title: _____

NOTE: This blanket addendum is for informational purposes only and does not need to be acknowledged by bidders in their submission.

COVID-19 ADDENDUM #2

January 1, 2022

**TO: ALL Prospective Bidders
PROJECT: ALL Upcoming Projects**

The purpose of this addendum is to clarify and/or modify the sealed bid delivery and bid opening process for all upcoming projects. All work affected is subject to all applicable terms and conditions of the Bidding and Contract Documents.

1. UPDATE TO SEALED BID DELIVERY AND BID OPENING POLICY:

Effective immediately and continuing until further notice, the City of Kalamazoo will return to IN-PERSON bid openings following City Hall guidelines, including Mask Mandate.

BIDS MUST BE RECEIVED BEFORE THE DUE DATE AND TIME – LATE BIDS WILL NOT BE CONSIDERED.

Bidders can submit sealed bids in one of the following ways:

- **Mail your bid**, to be received before the bid due date and time indicated in the bid document, to the City of Kalamazoo at the following address:

City of Kalamazoo
Purchasing Division
241 West South Street
Kalamazoo, MI 49007

- **Deliver your bid to the Treasurer’s Office Payment Drop Box** located in the northwest corner of City Hall before the bid due date and time indicated in the bid document.
- **Deliver your bid to City Hall In Person** before the bid due date and time indicated in the bid document.

All bids shall be tightly sealed in an envelope plainly marked SEALED BID and identified by project name, bid opening date and time. Bids opened by mistake, due to improper identification, will be so documented and resealed. The Purchasing Division will maintain and guarantee confidentiality of the contents until the specified opening date and time. Bids submitted by fax machine or email will not be accepted.

The Purchasing Division will post bid tabulations to the City of Kalamazoo website within 24 hours after the bid opening date and time at: <https://www.kalamazoocity.org/bidopportunities>.

Questions regarding this sealed bid delivery and bid opening policy change related to the COVID-19 virus should be directed to the City of Kalamazoo at (269) 337-8020.

Sincerely,



Michelle Emig
Purchasing Division Manager

Bronson Park Mound Improvements- REBID

Bid Reference #: 98852-064.0

I hereby state that all of the information I have provided is true, accurate and complete. I hereby state that I have the authority to submit this bid which will become a binding contract if accepted by the City of Kalamazoo. I hereby state that I have not communicated with nor otherwise colluded with any other bidder, nor have I made any agreement with nor offered/accepted anything of value to/from an official or employee of the City of Kalamazoo that would tend to destroy or hinder free competition.

The firm’s identification information provided will be used by the City for purchase orders, payment and other contractual purposes. If the contractual relationship is with, or the payment made to, another firm please provide a complete explanation on your letterhead and attach to your bid. Please provide for accounts payable purposes:

Tax Identification Number (Federal ID): _____

Remittance Address: _____

Financial Contact Name: _____ Financial Contact Phone Number: _____

Financial Contact Email Address: _____

I hereby state that I have read, understand and agree to be bound by all terms and conditions of this bid document.

SIGNED: _____ NAME: _____
(Type or Print)

TITLE: _____ DATE: _____

FIRM NAME: _____
(if any)

ADDRESS: _____
(Street address) (City) (State) (Zip)

PHONE: _____ FAX: _____

EMAIL ADDRESS: _____

FOR CITY USE ONLY - DO NOT WRITE BELOW

SUB-CONTRACTING INFORMATION

Using the table below provide information regarding the sub-contractors that will be working to fulfill the requirements of this contract. Submit as complete a list as possible at the time of your bid. You will have two business days after the bid opening to update the list as needed. The information provided will be used for evaluating your bid and to assist in determining if you qualify as a Kalamazoo County Bidder.

INSTRUCTIONS:

Nature of Contract - State a brief description of the work or product that will be provided.

BIDDER – Provide the percentage of services or construction activity that will be provided by your firm.

Subcontractors:

- Provide the Name and Address for each subcontractor providing services or construction activities for this contract.
- Indicate with **YES** or **NO** under the “Local?” box if they qualify as a “Kalamazoo County bidder” (see local preference certification page)
- Provide the percentage for the dollar amount of the contract work they will be performing.

If there are not enough lines in the table below make additional copies as needed.

Nature of Contract:		
Subcontractor Name/Address	Local?	% Of Total Contract
<i>BIDDER</i>		

Does this List of Subcontractors need to be updated after the bid opening? **Yes** __ **No** __

REFERENCE QUESTIONNAIRE

Please answer the following questions completely.

1. Firm name: _____

2. Established: Year _____ Number of Employees: _____

3. Type of organization:
 - a. Individual: _____
 - b. Partnership: _____
 - c. Corporation: _____
 - d. Other: _____

4. Former firm name(s) if any, and year(s) in business:

5. Include at least 3 references of contracts for similar work performed over the last five (5) years. Include: owner, contact person and phone number and description of work performed.
 - 5.1 Company Name: _____
Address: _____
Phone: _____
Contact: _____
Type of work or contract: _____

 - 5.2 Company Name: _____
Address: _____
Phone: _____
Contact: _____
Type of work or contract: _____

 - 5.3 Company Name: _____
Address: _____
Phone: _____
Contact: _____
Type of work or contract: _____

I hereby certify that all of the information provided is true and answered to the best of my ability.

Signed: _____ Name: _____
(type or print)

Title: _____ Date: _____

PROGRESS SCHEDULE

Schedule to be provided upon notification of contract award.

Project Name: Bronson Park Mound Improvements-REBID, City of Kalamazoo

OUTLINE OF PROPOSED ORDER OF WORK FOR MAJOR ITEMS INCLUDED IN BID

If approved, this outline will become part of the contract.

<u>Item of Work</u>	<u>Proposed Starting Date</u>	<u>Proposed Completion Date</u>
---------------------	-------------------------------	---------------------------------

CONTRACTOR: BY: DATE:

**SECTION III
CITY OF KALAMAZOO
INDEMNITY AND INSURANCE**

Contractor, or any of their subcontractors, shall not commence work under this contract until they have obtained the insurance required under this paragraph, and shall keep such insurance in force during the entire life of this contract. All coverage shall be with insurance companies licensed and admitted to do business in the State of Michigan and acceptable to the City of Kalamazoo within ten (10) days of the Notice of Award. The requirements below should not be interpreted to limit the liability of the Contractor. All deductibles and SIRs are the responsibility of the Contractor.

The Contractor shall procure and maintain the following insurance coverage:

Workers' Compensation Insurance including Employers' Liability Coverage, in accordance with all applicable statutes of the State of Michigan.

Commercial General Liability Insurance on an "Occurrence Basis" with limits of liability not less than \$1,000,000 per occurrence and aggregate. Coverage shall include the following extensions: (A) Contractual Liability; (B) Products and Completed Operations; (C) Independent Contractors Coverage; (D) Broad Form General Liability Extensions or equivalent, if not already included and (E) XCU coverage if the nature of the contract requires XC or U work.

Automobile Liability including Michigan No-Fault Coverages, with limits of liability not less than \$1,000,000 per occurrence, combined single limit for Bodily Injury, and Property Damage. Coverage shall include all owned vehicles, all non-owned vehicles, and all hired vehicles.

Additional Insured: Commercial General Liability and Automobile Liability, as described above, shall include an endorsement stating that the following shall be *Additional Insureds*: The City of Kalamazoo, all elected and appointed officials, all employees and volunteers, all boards, commissions, and/or authorities and board members, including employees and volunteers thereof. It is understood and agreed that by naming the City of Kalamazoo as additional insured, coverage afforded is considered to be primary and any other insurance the City of Kalamazoo may have in effect shall be considered secondary and/or excess.

To the fullest extent permitted by law the Contractor agrees to defend, pay on behalf of, indemnify, and hold harmless the City of Kalamazoo, its elected and appointed officials, employees, agents and volunteers, and others working on behalf of the City of Kalamazoo against any and all claims, demands, suits, or loss, including all costs connected therewith, and for any damages which may be asserted, claimed, or recovered against or from the City of Kalamazoo, by reason of personal injury, including bodily injury or death and/or property damage, including loss of use thereof, which arises out of, or is in any way connected or associated with this contract.

Cancellation Notice: All policies, as described above, shall include an endorsement stating that it is understood and agreed that thirty (30) days, or ten (10) days for non-payment of premium, Advance Written Notice of Cancellation, Non-Renewal, Reduction, and/or Material Change shall be sent to: City of Kalamazoo, Purchasing Division, 241 W. South Street, Kalamazoo, MI 49007.

Proof of Insurance Coverage: The Contractor shall provide the City of Kalamazoo at the time that the contracts are returned by him/her for execution, or within 10 days of Notice of Award, whichever is earlier, a Certificate of Insurance as well as the required endorsements. In lieu of required endorsements, if applicable, a copy of the policy sections where coverage is provided for additional insured and cancellation notice would be acceptable. Copies or certified copies of all policies mentioned above shall be furnished, if so requested.

INDEMNITY AND INSURANCE
Continued

If any of the above coverages expire during the term of this contract, the Contractor shall deliver renewal certificates and/or policies to City of Kalamazoo at least ten (10) days prior to the expiration date.

Scope of Coverage: The above requirements and conditions shall not be interpreted to limit the liability of the Contractor under this Contract but shall be interpreted to provide the greatest benefit to the City and its officers and employees. The above listed coverages shall protect the Contractor, its employees, agents, representatives and subcontractors against claims arising out of the work performed. It shall be the Contractor's responsibility to provide similar insurance for each subcontractor or to provide evidence that each subcontractor carries such insurance in like amount prior to the time such subcontractor proceeds to perform under the contract.

**SECTION IV
GENERAL PROVISIONS**

1. INTENT

It is the intent of these plans and specifications to seek bids for entering into a contract for all direction, management, labor, materials, tools and equipment necessary to perform the Bronson Park Mound Improvements as specified herein.

2. SCOPE OF WORK

The scope of work involves site work for park improvements at Bronson Park as stated in the attached project manual.

3. MANDATORY SITE INSPECTION OF SITE

3.1 Please contact Rachel Hughes-Nilsson with OCBA at (269) 760-2142 to schedule the MANDATORY SITE INSPECTION. All appointments must be completed by March 2, 2022. All prospective contractors attending a site visit MUST sign the site inspection attendance list to be eligible to bid on this project. Each bidder shall also visit the site of the proposed work and fully acquaint himself/herself with the existing conditions relating to construction and labor and shall fully inform himself/herself as to the facilities involved and the difficulties and restrictions attending the performance of this contract. **Questions may be emailed to Patrick McVerry at mcverryp@kalamazoo-city.org or Rachel Hughes-Nilsson at rhnulsson@ocba.com by 4:00 p.m. on March 9, 2022.**

3.2 The bidder shall thoroughly examine and become familiar with the drawings, specifications and all other bid/contract documents. The Contractor, by the execution of this contract, shall in no way be relieved of any obligation under it due to his/her failure to receive or examine any form of legal instrument, or to visit the site and acquaint himself/herself with the conditions there existing. No allowance shall be made subsequently in this connection in behalf of the Contract for any negligence of his/her part.

4. INSPECTION OF WORK

The City may maintain inspectors on the job who shall at all times have access to work.

5. PROJECT MANAGER'S STATUS

5.1 The Interim Director or his/her duly authorized representative shall be the City's Project Manager and shall have the duties and responsibilities as provided in the contract.

5.2 The Project Manager shall have the authority to reject any work or materials which do not conform to the contract and to decide questions or interpretations which may arise from the contract documents.

5.3 The Contractor shall immediately report to the Project Manager any questionable or obvious error or omission which may be apparent in the contract documents and shall not proceed with work until the Interim Director or his/her representative has resolved the error or omission.

6. LAYING OUT WORK

Before submitting a bid, the Contractor shall verify all measurements and shall be responsible for the correctness of same. No extra charge or compensation will be allowed on account of differences between actual dimensions and the measurements indicated on the drawings. Any difference that may be found shall be submitted to the Architect for consideration before proceeding.

7. SUPERVISION

The Contractor shall employ an experienced superintendent or foreperson on the job at all times.

8. SITE SECURITY

The Contractor shall be responsible for job site security of all materials and tools provided by him/her and no claim for loss or damage will be considered by the City.

9. CONTRACTOR COORDINATION

9.1 The Contractor shall make every effort to coordinate every aspect of his work with that of other contractors on the site to assure an efficiently managed and proper installation. Special attention shall be given by the site contractor to the coordination with the playground equipment installation contractor and vice versa.

9.2 Consideration shall be given to timing of construction, maintaining adequate construction access, and construction staging. Any costs associated with this coordination shall be included in the contract.

10. PROTECTION OF WORK

The Contractor shall maintain adequate protection of all his/her work from damage and shall protect all public and private abutting property from injury or loss arising in connection with this contract.

11. PROTECTION OF PROPERTY

11.1 The Contractor shall confine his/her equipment and operations to those areas of the work site necessary for the completion of the work, or as authorized by the Project Manager. The Contractor shall protect and preserve from damage any facilities, utilities or features including trees, shrubs and turf which are not required to be disturbed by the requirements of the work.

11.2 The Contractor shall be responsible to determine the location of and to protect from damage any utilities or other improvements.

12. MATERIALS INSPECTION AND RESPONSIBILITY

- 12.1 The Project Manager shall have the right to inspect any materials to be used in carrying out the terms of the contract.
- 12.2 The City does not assume any responsibility for the contracted quality and standard of all materials, equipment, components or completed work furnished under this contract.
- 12.3 Any materials, equipment, components or completed work which does not comply with contract specifications, MDOT, or state codes may be rejected by the City, and shall be replaced by the Contractor at no cost to the City.
- 12.4 Any materials, equipment or components rejected shall be removed within a reasonable period of time from the premises of the City at the entire expense of the Contractor after written notice has been mailed by the City to the Contractor that such materials, equipment or components have been rejected.

13. TARDINESS

Construction delays resulting from tardiness on the part of the Contractor will be reviewed by the City in the event of any request for contract extension by the Contractor.

14. CONSTRUCTION SCHEDULE AND COORDINATION

- 14.1 The Contractor shall supply the City with an agreeable construction schedule before commencing work on this contract. This schedule shall detail beginning and completion dates for each major component of the project.
- 14.2 The Contractor shall coordinate and cooperate with all other contractors who may be working on the site in order to allow for the orderly progress of work being done.
- 14.3 The Contractor is required to keep the Project Manager fully informed of any proposed work which will tend to interfere with the existing operations at the site.
- 14.4 The Contractor shall schedule all work to accommodate the City's schedule. In the event Contractor's schedule falls on weekends, nights or overtime work is required, no additional compensation will be allowed. All work shall be part of this contract without regard to when it is done.

15. MAINTAINING TRAFFIC

- 15.1 This work shall be in accordance with the requirements of Section 6.31 of the MDOT 2003 Standard Specifications for Construction and contractor is directed to the Special Provision for Maintaining Traffic, and as specified herein. The Contractor is advised that the current Michigan Manual of Uniform Traffic Control Devices is hereby established as governing all work in connection with traffic control devices, barricade lighting, etc. required on this project.

MAINTAINING TRAFFIC (cont.)

- 15.2 The Contractor shall furnish, erect, maintain and, upon completion of the work, remove all traffic control devices and barricade lights within the project and around the perimeter of the project for the safety and protection of through and local traffic. This includes, but is not limited to: Advance, regulatory and warning signs; barricades and channeling devices at intersecting streets on which traffic is to be maintained; barricades at the ends of the project and at right-of-way lines for intersecting streets which are to be closed with the first usable street on each side of the project
- 15.3 Where the existing pavement or partial widths of new pavement are to be utilized for the maintenance of through and local traffic, drum type barricades will be required at 50' intervals or as directed by the Engineer for channeling and directing traffic through the construction area. Where barricades are to be placed in a trench, Type II barricades may be required at the discretion of the Engineer. These barricades shall be lighted with Type C (steady burning) warning lights if they are used after dark.
- 15.4 The requirements for the maintenance of through traffic as described in the Standard Specifications shall also apply to the maintenance of local traffic.
- 15.5 Protection of all pedestrian traffic shall be maintained at all times.

16. ADDITIONS

- 16.1 Any modification to the contract shall be subject to prior approval by the Purchasing Agent. City Commission approval may also be required.
- 16.2 Prices for additional work required are not requested in the itemized listing contained herein for the base project. Should additional work be authorized, compensation shall be made on the basis of price or prices to be mutually agreed upon. Such additional work shall not begin until a Change Order has been approved.

17. REMOVAL OF RUBBISH

The Contractor shall daily remove all rubbish and accumulated materials due to his/her construction.

18. SITE ACCESS

The City will provide fair and reasonable access to the job site within the working schedules of both parties.

19. GUARANTEE

The Contractor shall guarantee all of his/her work for a period of one (1) year following the date of final acceptance of the completed work and shall repair, replace or make good any materials or work which fail to function or perform or be found defective, without cost to the City.

20. SAFETY

The Contractor shall comply with all applicable OSHA and MIOSHA regulations.

21. PAY ESTIMATES

The Contractor shall be responsible for the generation of invoices for payment. Payment will be generated by the City based upon an approved invoice. Recommended frequency of payment is monthly; however, frequency of payment will not exceed bi-weekly.

22. INSPECTION AND TESTING

The Contractor shall give the Project Manager timely notice of readiness of the work for all required inspections, tests or approvals, and shall cooperate with inspections and testing personnel to facilitate required inspections or tests.

23. SUBSURFACE CONDITIONS

Bidder has carefully studied all reports of explorations and tests of subsurface conditions at or contiguous to the Site and all drawings of physical conditions in or relating to existing surface or subsurface structures at or contiguous to the Site (except Underground Facilities) which have been identified in the Document 00800 - Supplementary Conditions as provided in paragraph 4.2. of Document 00700 - General Conditions. Bidder accepts the determination set forth in paragraph SC-4.2.1 of the Supplementary Conditions of the extent of the "technical data" contained in such reports and drawings upon which Bidder is entitled to rely as provided in paragraph 4.2 of Document 00700 - General Conditions. Bidder acknowledges that such reports are not Contract Documents and may not be complete for Bidder's purposes. Bidder acknowledges that OWNER and ARCHITECT do not assume responsibility for the accuracy or completeness of information and data shown or indicated in the Bidding Documents with respect to Existing Site Conditions and Underground Facilities at or contiguous to the Site. Bidder has obtained and carefully studied (or assumes responsibility for having done so) all such additional or supplementary examinations, investigations, explorations, tests, studies and data concerning existing site conditions, including surface, subsurface and Underground Facilities at or contiguous to the Site or otherwise which may affect cost, progress, performance or furnishing of the Work or which relates to any aspect of the means, methods, techniques, sequences and procedures of construction to be employed by

Bidder and safety precautions and programs incident thereto. Bidder does not consider that any additional examinations, investigations, explorations, tests, studies or data are necessary for the determination of this Bid for performance and furnishing of the Work in accordance with the times, price and other terms and conditions of the Contract Documents.

24. PRODUCT/SYSTEM SUBSTITUTIONS

Submit a written request, to be received not later than 10 days prior to scheduled bid opening, for Substitution of any Product not named. If no substitutions are submitted, it will be reasonably concluded by the Owner and Landscape Architect that the specified product will be incorporated into the Work and the Bidder will be committed to supplying the specified product.

1. Describe in detail any variance to the Product specified. All proposed substitution for specified items shall be substantially the same size (height, length, width, diameter, etc.), type, color, construction quality and shall meet the design intent to be considered for substitution for the Product specified.
2. Document each request with complete data substantiating compliance of proposed Substitution with Product specified including written certification that Product conforms to or exceeds all requirements of the Product specified.

PRODUCT/SYSTEM SUBSTITUTIONS (cont.)

3. Document all coordination information, including a list of changes or modifications needed to the Contract Documents or other parts of the Work and to construction performed by the Owner and Separate Contractors that will become necessary to accommodate the proposed substitution.
4. Provide name, address and telephone number of manufacturer's authorized representative.
5. Submit three copies of all documents for each request for Substitution for consideration.
6. Approval of the Substitution request, if given, will be in the form of an addendum issued prior to scheduled opening date and hour at local time.

25. REMOVAL OF PERMANENT SIGNS AND POSTS

The Contractor shall notify the Project Manager one (1) working day in advance of the time permanent signs must be removed to accommodate the construction. The City's forces shall remove and salvage any permanent signs that must be removed for construction.

26. PERMANENT PARK SIGN STAKING

The City shall stake the field locations for the new permanent park signs that the Contractor shall install under this contract. The Contractor shall call MISS DIG to arrange for staking prior to sign installation.

27. BRAND NAMES

If and wherever in the specifications a brand name, make, name of any manufacturer, trade name, or vendor catalog number is mentioned it is for the purpose of establishing a grade or quality of material only. Since the City does not wish to rule out other competition and equal brands or makes, the phrase OR EQUAL is added. However, if a product other than that specified is bid, it is the vendor's responsibility to name such a product within his/her bid and to prove to The City that said product is equal to that specified and to submit brochures, samples, and/or specifications merits of bids submitted.

28. SAMPLES AND DEMONSTRATIONS

Evidence in the form of samples may be requested. Such samples are to be furnished after the date of bid opening only upon request of The City unless otherwise stated in the bid proposal. If samples should be requested, such samples must be received by The City no later than seven (7) days after formal request is made. When required, The City may request full demonstrations of any unit(s) bid prior to the award of any contract. Samples, when requested, must be furnished free of expense to The City and if not used in testing or destroyed, will upon request within thirty (30) days of bid award be returned at the bidder's request.

29. ACCEPTANCE OF MATERIAL

The material delivered under this proposal shall remain the property of the seller until a physical inspection and actual usage of the material and/or services is made and thereafter accepted to the satisfaction of The City and must comply with the terms herein, and be full in accord with specifications and of the highest quality. In the event the material and/or service supplied to The City is found to be defective or does not conform to specifications, The City reserves the right to cancel the order upon written notice to the seller and return the product to seller at the seller's expense.

30. VARIATIONS TO SPECIFICATIONS

For purposes of evaluation, the bidder **MUST** indicate any variances from our specifications, terms and/or conditions, no matter how slight. If variations are not stated in the proposal, it will be assumed that the product or service fully complies with our specifications, terms and conditions.

31. SAFETY STANDARDS

The bidder warrants that the products supplied to The City conform in all respects to the standards set forth in the Occupational Safety and Health Act of 1970 and its amendments and the failure to comply with this condition will be considered a breach of contract.

32. MANUFACTURER'S CERTIFICATION

The City reserves the right to request from bidders separate manufacturer certification of all statements made in the bid.

33. QUESTIONS

Bidders shall address questions regarding the specifications to Patrick McVerry at mcverryp@kalamazoocity.org or Rachel Hughes-Nilsson at rhnilsson@ocba.com or (This does not relieve the requirements of Page 1, Item 3.) Questions regarding terms, conditions and other related bid requirements may be addressed to Monica Johnson, Buyer at johnsonm2@kalamazoocity.org.

**SECTION V
TERMS AND CONDITIONS**

1. AWARD OF CONTRACT

- A. This contract will be awarded to that responsible bidder whose bid, conforming to this solicitation, will be most advantageous to the City, price and other factors considered. The City reserves the right to accept or reject any or all bids and waive informalities and minor irregularities in bids received. Other factors include, as an example but not limited to, delivery time, conformance to specifications, incidental costs such as demurrage and deposits, etc.

Notification of award will be in writing by the Purchasing Agent. Upon notification, the Contractor shall submit to the Purchasing Division all required insurance certificates (if required) and such other documentation as may be requested or required hereunder. Upon their receipt and subsequent approval by the City, the Purchasing Agent will forward to the Contractor a written **NOTICE TO PROCEED**. Work shall **NOT** be started until such **NOTICE TO PROCEED** is received by the Contractor.

- B. Unilateral changes in bid prices by the bidder shall not be allowed. However, the City, at its sole option, reserves the right to negotiate with bidders in the event of, but not limited to:
- 1) No bids received;
 - 2) A single bid being received; or
 - 3) Prices quoted are over budget and/or unreasonable.

2. COMPLETE CONTRACT

This bid document together with its addenda, amendments, attachments and modifications, when executed, becomes the complete contract between the parties hereto, and no verbal or oral promises or representations made in conjunction with the negotiation of this contract shall be binding on either party.

3. SUBCONTRACTORS - NON-ASSIGNMENT

Bidders shall state in writing any and all sub-contractors to be associated with this bid, including the type of work to be performed. The Contractor shall cooperate with the City of Kalamazoo in meeting its commitments and goals with regard to maximum utilization of minority and women-owned business enterprises.

The Contractor hereby agrees and understands that the contract resulting from this solicitation shall not be transferred, assigned or sublet without prior written consent of the City of Kalamazoo.

4. TAXES

The City of Kalamazoo is exempt from all federal excise tax and state sales and use taxes. However, depending upon the situation, the vendor or contractor may not be exempt from said taxes and the City of Kalamazoo is making no representation as to any such exemption.

5. INVOICING

All original invoice(s) will be sent to the Finance Division, 241 W. South Street, Kalamazoo, MI 49007 or via email at apinvoice@kalamazoocity.org. Faxed copy of invoice(s) will not be accepted, unless it is to replace an original invoice that was lost in the mail. The Finance Division processes payments after receipt of an original invoice from the Contractor and approval by the department.

The City of Kalamazoo policy is to pay invoice(s) within 30 days from the receipt of the original invoice if the services or supplies are satisfactory and the proper paperwork and procedures have been followed. In order to guarantee payment to the vendor on a timely basis, the vendor needs to receive a purchase order number before supplying the City of Kalamazoo with goods or services. All original, and copies of original invoice(s), will clearly state which purchase order they are being billed against.

The City of Kalamazoo is a government municipality and therefore is tax exempt from all sales tax. Our tax-exempt number is 38-6004627.

The vendor is responsible for supplying the Finance Division with a copy of their W-9 if they are providing a service to the City of Kalamazoo.

6. PAYMENTS

Upon issuance of certificates of Payment by the Architect/Engineer for labor and material incorporated in the work and the materials suitably stored at the site payment shall be made up to ninety (90%) percent of the value thereof.

When the cumulative total of payment is equal to fifty (50%) percent of the contract sum, subsequent payments will be made in the full amount for labor and material certified by the Architect/Engineer.

The amount retained shall be held until final acceptance of the work, receipt of all payrolls, releases, and waiver of liens.

7. CHANGES AND/OR CONTRACT MODIFICATIONS

The City reserves the right to increase or decrease quantities, service or requirements, or make any changes necessary at any time during the term of this contract, or any negotiated extension thereof. Price adjustments due to any of the foregoing changes shall be negotiated and mutually agreed upon by the Contractor and the City.

Changes of any nature after contract award which reflect an increase or decrease in requirements or costs shall not be permitted without prior approval by the Purchasing Agent. City Commission approval may also be required. **SUCH CHANGES, IF PERFORMED IN ADVANCE OF PURCHASING AGENT APPROVAL, MAY BE SUBJECT TO DENIAL AND NON-PAYMENT.**

8. LAWS, ORDINANCES AND REGULATIONS

The Contractor shall keep himself/herself fully informed of all local, state and federal laws, ordinances and regulations in any manner affecting those engaged or employed in the work and the equipment used. Contractor and/or employees shall, at all times, serve and comply with such laws, ordinances and regulations.

Any permits, licenses, certificates or fees required for the performance of the work shall be obtained and paid for by the Contractor.

This contract shall be governed by the laws of the State of Michigan.

9. RIGHT TO AUDIT

The City or its designee shall be entitled to audit all of the Contractor's records, and shall be allowed to interview any of the Contractor's employees, throughout the term of this contract and for a period of three years after final payment or longer if required by law to the extent necessary to adequately permit evaluation and verification of:

- A. Contractor compliance with contract requirements,
- B. Compliance with provisions for pricing change orders, invoices or claims submitted by the Contractor or any of his payees.

10. HOLD HARMLESS

If the acts or omissions of the Contractor/Vendor or its employees, agents or officers, cause injury to person or property, the Contractor/Vendor shall defend, indemnify and save harmless the City of Kalamazoo, and LL Harris and Associates, their agents, officials, and employees against all claims, judgments, losses, damages, demands, and payments of any kind to persons or property to the extent occasioned from any claim or demand arising therefrom.

11. DEFAULT

The City may at any time, by written notice to the Contractor, terminate this contract and the Contractor's right to proceed with the work, for just cause, which shall include, but is not limited to the following:

- A. Failure to provide insurance and bonds (when called for), in the exact amounts and within the time specified or any extension thereof.
- B. Failure to make delivery of the supplies, or to perform the services within the time specified herein, or any extension thereof.
- C. The unauthorized substitution of articles for those bid and specified.
- D. Failure to make progress if such failure endangers performance of the contract in accordance with its terms.
- E. Failure to perform in compliance with any provision of the contract.

DEFAULT (cont.)

- F. **Standard of Performance** - Contractor guarantees the performance of the commodities, goods or services rendered herein in accordance with the accepted standards of the industry or industries concerned herein, except that if this specification calls for higher standards, then such higher standards shall be provided.

Upon notice by the City of Contractor's failure to comply with such standards or to otherwise be in default of this contract in any manner following the Notice to Proceed, Contractor shall immediately remedy said defective performance in a manner acceptable to the City. Should Contractor fail to immediately correct said defective performance, said failure shall be considered a breach of this contract and grounds for termination of the same by the City.

In the event of any breach of this contract by Contractor, Contractor shall pay any cost to the City caused by said breach including but not limited to the replacement cost of such goods or services with another Contractor.

The City reserves the right to withhold any or all payments until any defects in performance have been satisfactorily corrected.

In the event the Contractor is in breach of this contract in any manner, and such breach has not been satisfactorily corrected, the City may bar the Contractor from being awarded any future City contracts.

- G. All remedies available to the City herein are cumulative and the election of one remedy by the City shall not be a waiver of any other remedy available to the City.

12. TERMINATION OF CONTRACT

The City may, at any time and without cause, suspend the work of this contract for a period of not more than ninety days after providing notice in writing to the Contractor. The Contractor shall be allowed an adjustment in the contract price or an extension of the contract times, or both, directly attributable to the suspension if Contractor makes an approved claim.

The City may, without prejudice to any other right or remedy of the City, and with or without cause, terminate the contract by giving seven days written notice to the Contractor. In such case the Contractor shall be paid, without duplication, for the following items:

- A. Completed and acceptable work executed in accordance with the contract documents prior to the effective date of termination, including fair and reasonable sums for overhead and profit on such work;
- B. Expenses sustained prior to the effective date of termination in performing services and furnishing labor, materials or equipment as required by the contract documents in connection with uncompleted work, plus fair and reasonable sums for overhead and profit on such expenses;
- C. All documented claims, costs, losses and damages incurred in settlement of terminated contracts with Subcontractors, Suppliers and others; and
- D. Reasonable expenses directly attributable to termination.

The Contractor shall not be paid on account of loss of anticipated profits or revenue or other economic loss arising out of or resulting from such termination.

13. INDEPENDENT CONTRACTOR

At all times, the Contractor, any of his/her employees, or his/her sub-contractors and their subsequent employees shall be considered independent contractors and not as City employees. The Contractor shall exercise all supervisory control and general control over all workers' duties, payment of wages to Contractor's employees and the right to hire, fire and discipline their employees and workers. As an independent contractor, payment under this contract shall not be subject to any withholding for tax, social security or other purposes, nor shall the Contractor or his/her employees be entitled to sick leave, pension benefit, vacation, medical benefits, life insurance or workers' unemployment compensation or the like.

14. PROJECT SUPERVISOR

The Contractor shall employ an individual to act as Project Supervisor. The Project Supervisor shall be available to the Contractor's workers and the Project Manager at all times by use of a beeper or other reliable means. The Project Supervisor shall prepare daily work plans for the employees, monitor employee performance, attendance and punctuality, and work closely with the City's Project Manager in assuring contract compliance.

15. MEETINGS

The Contractor and/or Project Supervisor shall be available to meet with the Department Head or Project Manager at a mutually agreeable time to discuss problems, issues or concerns relative to the contract. Either party may call a meeting at any time. When such a request for a meeting is made, the meeting date shall, in no case exceed five (5) working days after the request; and, if in the sole opinion of the Department Head, the severity of the circumstance warrants, no more than one (1) working day.

APPENDIX A
NON-DISCRIMINATION CLAUSE FOR ALL CITY OF KALAMAZOO CONTRACTS

The Contractor agrees to comply with the Federal Civil Rights Act of 1964 as amended; the Federal Civil Rights Act of 1991 as amended; the Americans With Disabilities Act of 1990 as amended; the Elliott-Larson Civil Rights Act, Act. No. 453, Public Act of 1976 as amended; the Michigan Handicappers Civil Rights Act, Act No. 220, Public Act of 1976 as amended, City Ordinance 1856 and all other applicable Federal and State laws. The Contractor agrees as follows:

1. The Contractor will not discriminate against any employee or applicant for employment because of race, color, religion, national origin, sex, age, height, weight, marital status, physical or mental disability, family status, sexual orientation or gender identity that is unrelated to the individual's ability to perform the duties of the particular job or position. Such action shall include, but not be limited to the following: employment, upgrading, demotion or transfer, recruitment advertising, layoff or termination; rates of pay or other forms of compensations; and selection for training, including apprenticeship.
2. The Contractor will, in all solicitations or advertisements for employees placed by or on behalf of the Contractor, state that all qualified applicants will receive consideration for employment without regard to race, color, religion, national origin, sex, age, height, weight, marital status, physical or mental disability family status, sexual orientation or gender identity that is unrelated to the individual's ability to perform the duties of the particular job or position.
3. If requested by the City, the Contractor shall furnish information regarding practices, policies and programs and employment statistics for the Contractor and subcontractors. The Contractor and subcontractors shall permit access to all books, records and accounts regarding employment practices by agents and representatives of the City duly charged with investigative duties to assure compliance with this clause.
4. Breach of the covenants herein may be regarded as a material breach of the contract or purchasing agreement as provided in the Elliott-Larsen Civil Rights Act and City Ordinance 1856.
5. The Contractor will include or incorporate by reference the provisions of the foregoing paragraphs 1 through 4 in every subcontract or purchase order unless exempted by the rules, regulations or orders of the Michigan Civil Rights Commission* and will provide in every subcontract or purchase order that said provision will be binding upon each subcontractor or seller.
6. The Contractor will not preclude a person with a criminal conviction from being considered for employment unless otherwise precluded by federal or state law. (for contracts over \$25,000)

The Elliott-Larson Civil Rights Act, Sec. 202 of Act. No. 453 of 1976 reads in part as follows:

Sec. 202. (1) An employer shall not:

- (a) Fail or refuse to hire, or recruit, or discharge or otherwise discriminate against an individual with respect to employment, compensation, or a term condition or privilege of employment because of religion, race, color, national origin, age, sex, height, weight or marital status.
- (b) Limit, segregate or classify an employee or applicant for employment in a way which deprives or tends to deprive the employee or applicant of an employment opportunity or otherwise adversely affects the status of an employee or applicant because of religion, race, color, national origin, age, sex, height, weight or marital status.
- (c) Segregate, classify or otherwise discriminate against a person on the basis of sex with respect to a term, condition or privilege of employment, including a benefit plan or system.

* Except for contracts entered into with parties employing less than three employees.



PROJECT MANUAL

Bronson Park Mound Improvements-REBID

Bid Reference #: 98852-064.0

February 2022



Project Manual

Bronson Park Mound Landscaping Improvements - Rebid Bid Reference #: 98852-064.0

**City of Kalamazoo
251 Mills Street
Kalamazoo, Michigan
49048**

17 February 2022

Kalamazoo

350 East Michigan Avenue, Suite #415
Kalamazoo, Michigan 49007
(269) 381-3357
(269) 381-29

THIS PAGE INTENTIONALLY LEFT BLANK

TABLE OF CONTENTS

BIDDING REQUIREMENTS, CONTRACT FORMS AND CONDITIONS OF THE CONTRACT

	Invitation for Bid
	Statement of No Bid
	Instructions to Bidders
	Bid & Award Pages
	City of Kalamazoo Ex-Offender Policy Checklist
	Local Preference Policy and Certification
	COVID-19 Addendum
	Sub-Contracting Information
	Reference Questionnaire
	Progress Schedule
	Insurance Requirements
	General Provisions
	Terms & Conditions
	Appendix A
Document 00500	Agreement
Document 00700	General Conditions
Document 00800	Supplementary Conditions
Document 00821	Michigan Civil Rights Act and Michigan Handicapped Rights Act
Document 00860	List of Drawings
Document 00900	Addenda

DIVISION 1 - GENERAL REQUIREMENTS

Section 011000	Summary
Section 012500	Substitution Procedures
Section 012600	Contract Modification Procedures
Section 012900	Payment Procedures
Section 013100	Project Management and Coordination
Section 013200	Construction Progress Documentation
Section 013300	Submittal Procedures
Section 014000	Quality Requirements
Section 015000	Temporary Facilities and Controls
Section 016000	Product Requirements
Section 017300	Execution Requirements
Section 017700	Closeout Procedures
Section 017839	Project Record Documents

DIVISION 10 – SPECIALTIES

Section 101426	Post and Panel Signs
----------------	----------------------

DIVISION 31 – EARTHWORK

Section 311000	Site Clearing
----------------	---------------

Section 312000 Earth Moving

DIVISION 32 – EXTERIOR IMPROVEMENTS

Section 328400 Irrigation
Section 329200 Turf and Grasses
Section 329300 Plants

END OF DOCUMENT

DOCUMENT 00500 - AGREEMENT

PART 1 - GENERAL

1.1 AGREEMENT

- A. AIA Document A101, **Standard Form of Agreement between Owner and Contractor** where the basis of payment is a Stipulated Sum (2007 Edition) will be the form used for the Owner/Contractor Agreement.

END OF DOCUMENT

THIS PAGE INTENTIONALLY LEFT BLANK

GENERAL CONDITIONS

PART 1 - GENERAL

1.1 GENERAL CONDITIONS

- A. AIA Document A201, **General Conditions of the Contract for Construction** (2007 Edition) will be used to form the basis of the General Conditions for the Project. Copies are available at the Landscape Architect's office upon request.

END OF DOCUMENT

THIS PAGE LEFT BLANK INTENTIONALLY

DOCUMENT 00800 - SUPPLEMENTARY CONDITIONS - AIA (2007)

PART 1 - GENERAL

1.1 SUPPLEMENTARY CONDITIONS

These Supplementary Conditions amend or supplement the "General Conditions of the Contract for Construction" AIA Document A201, 2007 Edition, and other provisions of the Contract Documents as indicated below. Where a portion of the General Conditions is modified or deleted by these Supplementary Conditions, the unaltered portions of the General Conditions shall remain in full force and effect.

1.2 ARTICLE 1; GENERAL PROVISIONS

1.1 Basic Definitions

Add the following Subparagraph 1.1.8 to 1.1:

1.1.8 Landscape Architect

The term "Landscape Architect" is synonymous with the word "Architect".

The term "Owner's Representative" is synonymous with the word "Landscape Architect".

1.3 ARTICLE 2; OWNER

2.1 Definition

Delete Subparagraph 2.1.2 in its entirety.

2.2 Information and Services Required of the Owner

Delete Subparagraph 2.2.3 and substitute the following:

2.2.3 The Owner has supplied a survey of the project area which describes physical characteristics of the site. The information and data shown or indicated in the Contract Documents with respect to existing Underground Facilities at or contiguous to the site is based on information and data furnished by the owners of such Underground Facilities or by others. Unless otherwise provided in the Contract Documents:

- .1 Owner and Architect shall not be responsible for the accuracy or completeness of any such information or data; and
- .2 Contractor shall have full responsibility for reviewing and checking all such information and data; for locating all Underground Facilities shown or indicated in the Contract Documents; for coordination of the Work with the owners of such Underground Facilities during construction; for the safety, protection and repairing any damage thereto resulting from the Work; the cost of which will be considered as having been included in the Contract Price.

Delete Subparagraph 2.2.5 and substitute the following:

2.2.5 The Contractor will be furnished, free of charge, PDF files of Drawings and Project Manuals for the Contractor's use. Paper copies will be provided at cost of reproduction.

1.4 ARTICLE 3; CONTRACTOR

3.4 Labor and Materials

Delete Subparagraph 3.4.2 and substitute the following:

3.4.2 After the Contract has been executed, the Owner and the Architect will consider a formal request for the substitution of Products in place of those specified only under the conditions set forth in the General Requirements (Division 1 of the Specifications). By making requests for substitutions, the Contractor:

- .1 represents that the Contractor has personally investigated the proposed substitute product and determined that it is equal or superior in all respects to that specified;
- .2 represents that the contractor will provide the same warranty for the substitution that the Contractor would for that specified;
- .3 certifies that the cost data presented is complete and includes all related costs under this Contract except the Architect's redesign costs, and waives all claims for additional costs related to the substitution which subsequently become apparent; and
- .4 will coordinate the installation of the accepted substitute, making such changes as may be required for the Work to be complete in all respects.

Add the following Subparagraph 3.4.4 to Paragraph 3.4:

3.4.4 The Owner shall be entitled to deduct from the Contract Sum amounts paid to the Architect to evaluate the Contractor's proposed substitutions and to make agreed-upon changes in the Drawings and Specifications made necessary by the Owner's acceptance of such substitutions.

3.5 Warranty

Add the following statement:

The Contractor warrants to the Owner that the work is of good quality, free of defects, and will conform to the requirements of the Contract Documents. In addition, it is understood that the Owner may have additional rights in this regard as a matter of law, and nothing in this Agreement is intended to limit those other statutory or common law rights.

1.5 ARTICLE 5; SUBCONTRACTORS

5.2 Award of Subcontracts and Other Contracts for Portions of the Work

Delete the first sentence of Subparagraph 5.2.1 and substitute the following:

5.2.1 Unless otherwise stated in the Contract Documents or the bidding requirements, the Contractor, not later than 10 days after the opening of bids, shall furnish in writing to the Owner through the Architect the names of persons or entities (including those who are to furnish materials or equipment fabricated to a special design) proposed for each principal portion of the Work.

1.6 ARTICLE 9; PAYMENTS AND COMPLETION

9.3 Applications for Payment

Add the following sentence to Subparagraph 9.3.1:

All applications for payment shall be filed in triplicate with the Architect using AIA Document G702, Application and Certificate for Payment, supported by AIA Document G703, Continuation Sheet.

Add the following Clause 9.3.1.3 to Subparagraph 9.3.1:

9.3.1.3 Until the Work is 50% complete, the Owner shall pay up to 90% of the amount due the Contractor on account of progress payments. At the time the Work is 50% complete as determined by the Architect, and thereafter, the Architect will authorize remaining partial payments to be paid in accordance with the State of Michigan Act No. 524 of the Public Acts of 1980. When the Project is Substantially Complete, the retained amount will be only that necessary to assure completion of the Contract Work.

1.7 ARTICLE 11; INSURANCE AND BONDS

11.1 Contractor's Liability Insurance

Add the following Clauses 11.1.2.1 and 11.1.2.2 to Subparagraph 11.1.2:

Refer to Insurance Requirements as part of City of Kalamazoo specifications.

11.1.2.2 Insurance carriers shall be licensed and approved by the Insurance Bureau of the State of Michigan and be rated by Best's Key Rating Guide, current edition, at not lower than an A rating.

Add the following sentence to Subparagraph 11.1.3:

If this insurance is written in a Comprehensive General Liability policy form, the Certificates shall be AIA Document G-705, Certificate of Insurance. If this is written in a Commercial General Liability policy form, ACORD Form 25-S will be acceptable.

11.4 Property Insurance

Add the following Clause 11.4.1.6 to Subparagraph 11.1.1:

11.4.1.6 The insurance required by Paragraph 11.4 is not intended to cover machinery, tools or equipment owned or rented by the Contractor that are utilized in the performance of the work but not incorporated into the permanent improvements. The Contractor shall, at the Contractor's own expense, provide insurance coverage for owned or rented machinery, tools or equipment, which shall be subject to the provisions of Subparagraph 11.4.7.

11.5 Performance Bond and Payment Bond

Delete Subparagraph 11.5.1 and substitute the following:

11.5.1 The Contractor shall furnish bonds covering faithful performance of the Contract and payment of obligations arising thereunder. Bonds shall be obtained from a provider licensed and approved by the Insurance Bureau of the State of Michigan and be rated by Best's Key Rating Guide, current edition, at not lower than an A rating. The cost of the bonds shall be included in the Contract Sum. The amount of each shall be equal to 100 percent of the Contract Sum.

11.5.1.1 The Contractor shall deliver the required bonds to the Owner not later than three days following the date the Agreement is entered into, or if the Work is to be commenced prior thereto in response to a letter of intent, the Contractor shall, prior to the commencement of the Work, submit evidence satisfactory to the Owner that such bonds will be furnished.

11.5.1.2 The Contractor shall require the attorney-in-fact who executes the required bonds on behalf of the surety to affix thereto a certified and current copy of the power of attorney.

1.8 ARTICLE 12; UNCOVERING AND CORRECTION OF WORK

Add the following Clause 12.2.2.4 to Subparagraph 12.2.2:

12.2.2.4 Upon request by the Owner and prior to the expiration of one year from the date of substantial Completion, the Architect will conduct and the Contractor shall attend a meeting with the Owner to review the improvements operations and performance.

END OF SUPPLEMENTARY CONDITIONS

DOCUMENT 00821 - MICHIGAN CIVIL RIGHTS ACT AND MICHIGAN HANDICAPPED RIGHTS ACT

Pursuant to the requirements of 1976, P.A. 453 (Michigan Civil Rights Act) and 1976, P.A. 220 (Michigan Handicapped Rights Act), the Contractor and its agents agree not to discriminate against any employee or applicant for employment with respect to hire, tenure, terms, conditions, or privileges of employment, or a matter directly or indirectly related to employment, because of race, color, religion, national origin, age, sex, height, weight, marital status, or because of a handicap that is unrelated to the person's ability to perform the duties of a particular job or position. The Contractor and its agents further agree that any subcontract shall contain a non-discrimination provision identical to this provision and binding upon any and all subcontractors. A breach of this covenant shall be regarded as a material breach of this contract.

In connection with the performance of work or exercise of rights and privileges granted under the contract, the Contractor agrees to the following:

- 1) The Contractor will not discriminate against any employee or applicant for employment because of race, religion, color, national origin, handicap, age or sex. It will take affirmative action to insure that applicants are employed and that employees are treated during employment, without regard to their race, religion, color, national origin, age, sex, height, weight or marital status. Such action shall include, but not be limited to, the following: employment upgrading, demotion or transfer; recruitment advertising; layoff or termination; rates of pay or other forms of compensation; and selection for training, including apprenticeship.
- 2) The Contractor will, in all solicitations or advertisements for employees placed by or on behalf of the Contractor, state that all qualified applicants will receive consideration for employment without regard to race, religion, color, national origin, age, sex, height, weight or marital status.
- 3) The Contractor or its collective bargaining representative will send to each labor union or representative of workers with which it has a collective bargaining agreement or other contract or understanding, a notice advising the said labor union or workers' representative its commitments under this paragraph.
- 4) The Contractor will comply with all published rules, regulations, directives, and orders of the Michigan Civil Rights Commission relevant to Section 206, 1976 PA 453, as amended.
- 5) Upon request, the Contractor will furnish and file compliance reports within such time and upon such forms as provided by the Michigan Civil Rights Commission; said forms may also elicit information as to the practices, policies, programs, and employment statistics of each Subcontractor as well as the Contractor itself, and said Contractor will permit access to its books, records, and accounts by the Michigan Civil Rights Commission, and/or its agent, for purposes of investigation to ascertain compliance with this contract and with rules, regulations, and orders of the Civil Right Commission relevant to Section 206, 1976 PA 453, as amended.
- 6) In the event that the Civil Rights Commission finds, after a hearing held pursuant to its rules, that a Contractor has not complied with the contractual obligations under this Agreement, the Civil Rights Commission may, as part of its order based upon such findings, certify said findings to the State Administrative Board of the State of Michigan, which Board may order the cancellation of the Contract found to have been violated, and/or declare the Contractor ineligible for future contracts with the state and its political and civil subdivisions, departments, and officers, and

including the governing boards of institutions of higher education, until the Contractor complies with said order of the Civil Rights Commission. Notice of said declaration of future ineligibility may be given to any or all of the persons with whom the Contractor is declared ineligible to contract as a contracting party in future contracts. In any case, before the Civil Rights Commission in which cancellation of an existing contract is a possibility, the contracting agency shall be notified of such possible remedy and shall be given the option by the Civil Rights Commission to participate in such proceedings.

- 7) The Contractor will include, or incorporate by reference, the provisions of the foregoing Subparagraphs 1) through 6) in every subcontract or purchase order unless exempted by the rules, regulations, or orders of the Michigan Civil Rights Commission, and will provide in every subcontract or purchase order that said provisions will be binding upon each subcontractor or seller.

END OF DOCUMENT

LIST OF DRAWINGS

PART 1 - GENERAL

1.1 LIST OF DRAWINGS

- A. The following Drawings shall be included in the Contract Documents:

SITE PLANS

SHEET TITLE

SHEET NUMBER

Cover Sheet	C0.0
Site Demolition Plan	C1.0
Site Layout Plan	C2.0
Site Details	C4.0
Landscape Plan	L1.0
Irrigation Plan	IR1.0
Irrigation Details	IR1.1

END OF DOCUMENT

THIS PAGE INTENTIONALLY LEFT BLANK

ADDENDA

PART 1 - GENERAL

1.1 DESCRIPTION

- A. Addenda are written or graphic instruments issued prior to execution of the construction contracts which add to, delete from, clarify, or modify the Bidding Documents and the Contract Documents.
- B. Addenda will be incorporated into the Bidding Documents and the Contract Documents.
- C. Addenda will be issued by the Landscape Architect as they deem necessary to facilitate the construction of the Project.

1.2 BIDDER'S AND CONTRACTOR'S RESPONSIBILITIES

- A. Each Bidder shall be responsible for taking the provisions of all Addenda issued prior to the Bid Date into account during the presentation of his Proposal.
- B. Each Bidder shall be responsible for obtaining all Addenda, and for ascertaining that all Addenda issued prior to the Bid Date have been considered in preparing his Proposal. Acknowledge receipt of all Addenda in the space provided on the Bid Form; failure to do so may result in rejection of the Bid.
- C. Each Contractor shall perform his work in accord with Addenda.

END OF DOCUMENT

THIS PAGE LEFT BLANK INTENTIONALLY

SECTION 011000 - SUMMARY

PART 1 - GENERAL

1.1 RELATED DOCUMENTS

- A. Drawings and general provisions of the Contract, including General and Supplementary Conditions and other Division 01 Specification Sections, apply to this Section.

1.2 SUMMARY

- A. Section includes:

1. Project information.
2. Work covered by Contract Documents.
3. Work under separate contracts.
4. Access to site.
5. Coordination with occupants.
6. Work restrictions.
7. Specification and drawing conventions.

- B. Related Section:

1. Division 01 Section "Temporary Facilities and Controls" for limitations and procedures governing temporary use of Owner's facilities.

1.3 PROJECT INFORMATION

- A. Project Identification: City of Kalamazoo Bronson Park

1. Project Location: 200 South Rose Street, Kalamazoo, Michigan 49007

- B. Owner: City of Kalamazoo, Michigan

1. Owner's Representative: Patrick McVerry, Park and Recreation Interim Director, (269) 337-8191.

- C. Architect: The Contract Documents, dated February 17, 2022, were prepared for the Project by O'Boyle, Cowell, Blalock & Associates, Inc., 350 East Michigan Avenue, Suite #415, Kalamazoo, Michigan 49007.

1.4 WORK COVERED BY CONTRACT DOCUMENTS

- A. The Work of the Project is defined by the Contract Documents and consists of the following:

1. The Work includes furnishing all labor, materials, tools, equipment and services necessary to complete the removal of miscellaneous site elements and installation of interpretive signs, landscaping, irrigation, and lawn seeding.
2. **Absolutely no construction activities allowed on or around the existing mound except for what is shown on Sheets C2.0 and L1.0. Any de-sodding work on the mound or excavation work for the irrigation system must have a Tribal Monitor present at ALL times.**

B. Type of Contract

1. Project will be constructed under a single prime contract.

1.5 WORK UNDER SEPARATE CONTRACT

- A. General: Cooperate fully with separate contractors so work on those contracts may be carried out smoothly, without interfering with or delaying work under this Contract or other contracts. Coordinate the Work of this Contract with work performed under separate contracts.

1.6 ACCESS TO SITE

- A. General: Contractor shall have full use of Project site for construction operations during construction period. Contractor's use of Project site is limited only by Owner's right to perform work or to retain other contractors on portions of Project.

1.7 COORDINATION WITH OCCUPANTS

- A. Partial Owner Occupancy: Owner will occupy the premises during entire construction period, with the exception of areas under construction. Cooperate with Owner during construction operations to minimize conflicts and facilitate Owner usage. Perform the Work so as not to interfere with Owner's operations. Maintain existing exits unless otherwise indicated.
1. Maintain access to existing walkways, corridors, and other adjacent occupied or used facilities. Do not close or obstruct walkways, corridors, or other occupied or used facilities without written permission from Owner and authorities having jurisdiction.
 2. Provide not less than 72 hours' notice to Owner of activities that will affect Owner's operations.

1.8 WORK RESTRICTIONS

- A. Work Restrictions, General: Comply with restrictions on construction operations.
1. Comply with limitations on use of public streets and other requirements of authorities having jurisdiction.

- B. On-Site Work Hours: Limit work in the existing building to normal business working hours of 7:00 a.m. to 7:00 p.m., Monday through Friday, except as otherwise indicated.
- C. Existing Utility Interruptions: Do not interrupt utilities serving facilities occupied by Owner or others unless permitted under the following conditions and then only after providing temporary utility services according to requirements indicated:
 - 1. Notify Architect and Owner not less than two days in advance of proposed utility interruptions.
 - 2. Obtain Owner's written permission before proceeding with utility interruptions.
- D. **Absolutely no construction activities allowed on or around the existing mound except for what is shown on Sheets C2.0 and L1.0. Any de-sodding work on the mound or excavation work for the irrigation system must have a Tribal Monitor present at ALL times.**

1.9 SPECIFICATION AND DRAWING CONVENTIONS

- A. Specification Content: The Specifications use certain conventions for the style of language and the intended meaning of certain terms, words, and phrases when used in particular situations. These conventions are as follows:
 - 1. Imperative mood and streamlined language are generally used in the Specifications. The words "shall," "shall be," or "shall comply with," depending on the context, are implied where a colon (:) is used within a sentence or phrase.
 - 2. Specification requirements are to be performed by Contractor unless specifically stated otherwise.
- B. Division 01 General Requirements: Requirements of Sections in Division 01 apply to the Work of all Sections in the Specifications.
- C. Drawing Coordination: Requirements for materials and products identified on the Drawings are described in detail in the Specifications. One or more of the following are used on the Drawings to identify materials and products:
 - 1. Terminology: Materials and products are identified by the typical generic terms used in the individual Specifications Sections.
 - 2. Abbreviations: Materials and products are identified by abbreviations published as part of the U.S. National CAD Standard and scheduled on Drawings.
 - 3. Keynoting: Materials and products are identified by reference keynotes referencing Specification Section numbers found in this Project Manual.

1.10 MISCELLANEOUS PROVISIONS

PART 2 - PRODUCTS (Not Used)

PART 3 - EXECUTION (Not Used)

END OF SECTION 011000

SECTION 012500 - SUBSTITUTION PROCEDURES

PART 1 - GENERAL

1.1 RELATED DOCUMENTS

- A. Drawings and general provisions of the Contract, including General and Supplementary Conditions and other Division 01 Specification Sections, apply to this Section.

1.2 SUMMARY

- A. Section includes administrative and procedural requirements for substitutions.
- B. Related Sections:
 - 1. Division 01 Section "Product Requirements" for requirements for submitting comparable product submittals for products by listed manufacturers.
 - 2. Divisions 02 through 49 Sections for specific requirements and limitations for substitutions.

1.3 DEFINITIONS

- A. Substitutions: Changes in products, materials, equipment, and methods of construction from those required by the Contract Documents and proposed by Contractor.
 - 1. Substitutions for Cause: Changes proposed by Contractor that are required due to changed Project conditions, such as unavailability of product, regulatory changes, or unavailability of required warranty terms.
 - 2. Substitutions for Convenience: Changes proposed by Contractor or Owner that are not required in order to meet other Project requirements but may offer advantage to Contractor or Owner.

1.4 SUBMITTALS

- A. Substitution Requests: Submit three copies of each request for consideration. Identify product or fabrication or installation method to be replaced. Include Specification Section number and title and Drawing numbers and titles.
 - 1. Substitution Request Form: Use CSI Form 13.1A.
 - 2. Documentation: Show compliance with requirements for substitutions and the following, as applicable:
 - a. Statement indicating why specified product or fabrication or installation cannot be provided, if applicable.

- b. Coordination information, including a list of changes or modifications needed to other parts of the Work and to construction performed by Owner and separate contractors, that will be necessary to accommodate proposed substitution.
 - c. Detailed comparison of significant qualities of proposed substitution with those of the Work specified. Include annotated copy of applicable specification section. Significant qualities may include attributes such as performance, weight, size, durability, visual effect, sustainable design characteristics, warranties, and specific features and requirements indicated. Indicate deviations, if any, from the Work specified.
 - d. Product Data, including drawings and descriptions of products and fabrication and installation procedures.
 - e. Samples, where applicable or requested.
 - f. Certificates and qualification data, where applicable or requested.
 - g. List of similar installations for completed projects with project names and addresses and names and addresses of architects and owners.
 - h. Material test reports from a qualified testing agency indicating and interpreting test results for compliance with requirements indicated.
 - i. Detailed comparison of Contractor's construction schedule using proposed substitution with products specified for the Work, including effect on the overall Contract Time. If specified product or method of construction cannot be provided within the Contract Time, include letter from manufacturer, on manufacturer's letterhead, stating date of receipt of purchase order, lack of availability, or delays in delivery.
 - j. Cost information, including a proposal of change, if any, in the Contract Sum.
 - k. Contractor's certification that proposed substitution complies with requirements in the Contract Documents except as indicated in substitution request, is compatible with related materials, and is appropriate for applications indicated.
 - l. Contractor's waiver of rights to additional payment or time that may subsequently become necessary because of failure of proposed substitution to produce indicated results.
3. Architect's Action: If necessary, Architect will request additional information or documentation for evaluation within five days of receipt of a request for substitution. Architect will notify Contractor of acceptance or rejection of proposed substitution within 10 days of receipt of request, or 5 days of receipt of additional information or documentation, whichever is later.
- a. Forms of Acceptance: Change Order, Construction Change Directive, or Architect's Supplemental Instructions for minor changes in the Work.
 - b. Use product specified if Architect does not issue a decision on use of a proposed substitution within time allocated.

1.5 QUALITY ASSURANCE

- A. Compatibility of Substitutions: Investigate and document compatibility of proposed substitution with related products and materials. Engage qualified testing agency to perform compatibility tests recommended by manufacturers.

1.6 PROCEDURES

- A. Coordination: Modify or adjust affected work as necessary to integrate work of the approved substitutions.

PART 2 - PRODUCTS

2.1 SUBSTITUTIONS

- A. Substitutions for Cause: Submit requests for substitution immediately upon discovery of need for change, but not later than 10 days prior to time required for preparation and review of related submittals.
 - 1. Conditions: Architect will consider Contractor's request for substitution when the following conditions are satisfied. If the following conditions are not satisfied, Architect will return requests without action, except to record noncompliance with these requirements:
 - a. Requested substitution is consistent with the Contract Documents and will produce indicated results.
 - b. Substitution request is fully documented and properly submitted.
 - c. Requested substitution will not adversely affect Contractor's construction schedule.
 - d. Requested substitution has received necessary approvals of authorities having jurisdiction.
 - e. Requested substitution is compatible with other portions of the Work.
 - f. Requested substitution has been coordinated with other portions of the Work.
 - g. Requested substitution provides specified warranty.
 - h. If requested substitution involves more than one contractor, requested substitution has been coordinated with other portions of the Work, is uniform and consistent, is compatible with other products, and is acceptable to all contractors involved.
- B. Substitutions for Convenience: Architect will consider requests for substitution if received within 45 days after commencement of the Work.. Requests received after that time may be considered or rejected at discretion of Architect.
 - 1. Conditions: Architect will consider Contractor's request for substitution when the following conditions are satisfied. If the following conditions are not satisfied, Architect will return requests without action, except to record noncompliance with these requirements:
 - a. Requested substitution offers Owner a substantial advantage in cost, time, energy conservation, or other considerations, after deducting additional responsibilities Owner must assume. Owner's additional responsibilities may include compensation to Architect for redesign and evaluation services, increased cost of other construction by Owner, and similar considerations.
 - b. Requested substitution does not require extensive revisions to the Contract Documents.

Bronson Park Mound Landscaping Improvements - Rebid
City of Kalamazoo
Kalamazoo, Michigan

- c. Requested substitution is consistent with the Contract Documents and will produce indicated results.
- d. Substitution request is fully documented and properly submitted.
- e. Requested substitution will not adversely affect Contractor's construction schedule.
- f. Requested substitution has received necessary approvals of authorities having jurisdiction.
- g. Requested substitution is compatible with other portions of the Work.
- h. Requested substitution has been coordinated with other portions of the Work.
- i. Requested substitution provides specified warranty.
- j. If requested substitution involves more than one contractor, requested substitution has been coordinated with other portions of the Work, is uniform and consistent, is compatible with other products, and is acceptable to all contractors involved.

PART 3 - EXECUTION (Not Used)

END OF SECTION 012500

SECTION 012600 - CONTRACT MODIFICATION PROCEDURES

PART 1 - GENERAL

1.1 RELATED DOCUMENTS

- A. Drawings and general provisions of the Contract, including General and Supplementary Conditions and other Division 01 Specification Sections, apply to this Section.

1.2 SUMMARY

- A. Section includes administrative and procedural requirements for handling and processing Contract modifications.
- B. Related Sections:
 - 1. Division 01 Section "Product Requirements" for administrative procedures for handling requests for substitutions made after Contract award.

1.3 MINOR CHANGES IN THE WORK

- A. Architect will issue supplemental instructions authorizing minor changes in the Work, not involving adjustment to the Contract Sum or the Contract Time, on AIA Document G710, "Architect's Supplemental Instructions."

1.4 PROPOSAL REQUESTS

- A. Owner-Initiated Proposal Requests: Architect will issue a detailed description of proposed changes in the Work that may require adjustment to the Contract Sum or the Contract Time. If necessary, the description will include supplemental or revised Drawings and Specifications.
 - 1. Proposal Requests issued by Architect are not instructions either to stop work in progress or to execute the proposed change.
 - 2. Within time specified in Proposal Request after receipt of Proposal Request, submit a quotation estimating cost adjustments to the Contract Sum and the Contract Time necessary to execute the change.
 - a. Include a list of quantities of products required or eliminated and unit costs, with total amount of purchases and credits to be made. If requested, furnish survey data to substantiate quantities.
 - b. Indicate applicable taxes, delivery charges, equipment rental, and amounts of trade discounts.
 - c. Include costs of labor and supervision directly attributable to the change.
 - d. Include an updated Contractor's construction schedule that indicates the effect of the change, including, but not limited to, changes in activity duration, start and

finish times, and activity relationship. Use available total float before requesting an extension of the Contract Time.

e. Quotation Form: Use forms acceptable to Architect.

B. Contractor-Initiated Proposals: If latent or changed conditions require modifications to the Contract, Contractor may initiate a claim by submitting a request for a change to Architect.

1. Include a statement outlining reasons for the change and the effect of the change on the Work. Provide a complete description of the proposed change. Indicate the effect of the proposed change on the Contract Sum and the Contract Time.
2. Include a list of quantities of products required or eliminated and unit costs, with total amount of purchases and credits to be made. If requested, furnish survey data to substantiate quantities.
3. Indicate applicable taxes, delivery charges, equipment rental, and amounts of trade discounts.
4. Include costs of labor and supervision directly attributable to the change.
5. Include an updated Contractor's construction schedule that indicates the effect of the change, including, but not limited to, changes in activity duration, start and finish times, and activity relationship. Use available total float before requesting an extension of the Contract Time.
6. Comply with requirements in Division 01 Section "Substitution Procedures" if the proposed change requires substitution of one product or system for product or system specified.
7. Proposal Request Form: Use form acceptable to Architect.

1.5 CHANGE ORDER PROCEDURES

A. On Owner's approval of a Proposal Request, Architect will issue a Change Order for signatures of Owner and Contractor on AIA Document G701.

1.6 CONSTRUCTION CHANGE DIRECTIVE

A. Construction Change Directive: Architect may issue a Construction Change Directive on AIA Document G714. Construction Change Directive instructs Contractor to proceed with a change in the Work, for subsequent inclusion in a Change Order.

1. Construction Change Directive contains a complete description of change in the Work. It also designates method to be followed to determine change in the Contract Sum or the Contract Time.

PART 2 - PRODUCTS (Not Used)

PART 3 - EXECUTION (Not Used)

END OF SECTION 012600

SECTION 012900 - PAYMENT PROCEDURES

PART 1 - GENERAL

1.1 RELATED DOCUMENTS

- A. Drawings and general provisions of the Contract, including General and Supplementary Conditions and other Division 01 Specification Sections, apply to this Section.

1.2 SUMMARY

- A. This Section specifies administrative and procedural requirements necessary to prepare and process Applications for Payment.
- B. Related Sections:
 - 1. Division 01 Section "Unit Prices" for administrative requirements governing the use of unit prices.
 - 2. Division 01 Section "Contract Modification Procedures" for administrative procedures for handling changes to the Contract.
 - 3. Division 01 Section "Construction Progress Documentation" for administrative requirements governing the preparation and submittal of the Contractor's construction schedule.
 - 4. Division 01 Section "Submittal Procedures" for administrative requirements governing the preparation and submittal of the submittal schedule.

1.3 DEFINITIONS

- A. Schedule of Values: A statement furnished by Contractor allocating portions of the Contract Sum to various portions of the Work and used as the basis for reviewing Contractor's Applications for Payment.

1.4 SCHEDULE OF VALUES

- A. Coordination: Coordinate preparation of the schedule of values with preparation of Contractor's construction schedule.
 - 1. Correlate line items in the schedule of values with other required administrative forms and schedules, including the following:
 - a. Application for Payment forms with continuation sheets.
 - b. Submittal schedule.
 - c. Items required to be indicated as separate activities in Contractor's construction schedule.

2. Submit the schedule of values to Architect at earliest possible date but no later than seven days before the date scheduled for submittal of initial Applications for Payment.
- B. Format and Content: Use the Project Manual table of contents as a guide to establish line items for the schedule of values. Provide at least one line item for each Specification Section.
1. Identification: Include the following Project identification on the schedule of values:
 - a. Project name and location.
 - b. Name of Architect.
 - c. Architect's project number.
 - d. Contractor's name and address.
 - e. Date of submittal.
 2. Arrange schedule of values consistent with format of AIA Document G703.
 3. Arrange the schedule of values in tabular form with separate columns to indicate the following for each item listed:
 - a. Related Specification Section or Division.
 - b. Description of the Work.
 - c. Name of subcontractor.
 - d. Name of manufacturer or fabricator.
 - e. Name of supplier.
 - f. Change Orders (numbers) that affect value.
 - g. Dollar value of the following, as a percentage of the Contract Sum to nearest one-hundredth percent, adjusted to total 100 percent.
 - 1) Labor.
 - 2) Materials.
 - 3) Equipment.
 4. Provide a breakdown of the Contract Sum in enough detail to facilitate continued evaluation of Applications for Payment and progress reports. Coordinate with the Project Manual table of contents. Provide multiple line items for principal subcontract amounts in excess of five percent of Contract Sum.
 5. Round amounts to nearest whole dollar; total shall equal the Contract Sum.
 6. Provide a separate line item in the schedule of values for each part of the Work where Applications for Payment may include materials or equipment purchased or fabricated and stored, but not yet installed.
 - a. Differentiate between items stored on-site and items stored off-site. If required, include evidence of insurance.
 7. Provide separate line items in the schedule of values for initial cost of materials, for each subsequent stage of completion, and for total installed value of that part of the Work.
 8. Purchase Contracts: Provide a separate line item in the schedule of values for each purchase contract. Show line-item value of purchase contract. Indicate owner payments or deposits, if any, and balance to be paid by Contractor.

9. Each item in the schedule of values and Applications for Payment shall be complete. Include total cost and proportionate share of general overhead and profit for each item.
 - a. Temporary facilities and other major cost items that are not direct cost of actual work-in-place may be shown either as separate line items in the schedule of values or distributed as general overhead expense, at Contractor's option.
10. Schedule Updating: Update and resubmit the schedule of values before the next Applications for Payment when Change Orders or Construction Change Directives result in a change in the Contract Sum.

1.5 APPLICATIONS FOR PAYMENT

- A. Each Application for Payment shall be consistent with previous applications and payments as certified by Architect and paid for by Owner.
 1. Initial Application for Payment, Application for Payment at time of Substantial Completion, and final Application for Payment involve additional requirements.
- B. Payment Application Times: Progress payments shall be submitted to Architect by the 1st day of the month. The period covered by each Application for Payment is one month, ending on the last day of the month.
 1. Submit draft copy of Application for Payment seven days prior to due date for review by Architect.
- C. Application for Payment Forms: Use AIA Document G702 and AIA Document G703 as form for Applications for Payment.
- D. Application Preparation: Complete every entry on form. Notarize and execute by a person authorized to sign legal documents on behalf of Contractor. Architect will return incomplete applications without action.
 1. Entries shall match data on the schedule of values and Contractor's construction schedule. Use updated schedules if revisions were made.
 2. Include amounts for work completed following previous Application for Payment, whether or not payment has been received. Include only amounts for work completed at time of Application for Payment.
 3. Include amounts of Change Orders and Construction Change Directives issued before last day of construction period covered by application.
 4. Indicate separate amounts for work being carried out under Owner-requested project acceleration.
- E. Stored Materials: Include in Application for Payment amounts applied for materials or equipment purchased or fabricated and stored, but not yet installed. Differentiate between items stored on-site and items stored off-site.
 1. Provide certificate of insurance, evidence of transfer of title to Owner, and consent of surety to payment, for stored materials.

2. Provide supporting documentation that verifies amount requested, such as paid invoices. Match amount requested with amounts indicated on documentation; do not include overhead and profit on stored materials.
 3. Provide summary documentation for stored materials indicating the following:
 - a. Materials previously stored and included in previous Applications for Payment.
 - b. Work completed for this Application utilizing previously stored materials.
 - c. Additional materials stored with this Application.
 - d. Total materials remaining stored, including materials with this Application.
- F. Transmittal: Submit three signed and notarized original copies of each Application for Payment to Architect by a method ensuring receipt within 24 hours. One copy shall include waivers of lien and similar attachments if required.
1. Transmit each copy with a transmittal form listing attachments and recording appropriate information about application.
- G. Waivers of Mechanic's Lien: With each Application for Payment, submit waivers of mechanic's lien from entities lawfully entitled to file a mechanic's lien arising out of the Contract and related to the Work covered by the payment.
1. Submit partial waivers on each item for amount requested in previous application, after deduction for retainage, on each item.
 2. When an application shows completion of an item, submit conditional final or full waivers.
 3. Owner reserves the right to designate which entities involved in the Work must submit waivers.
 4. Waiver Forms: Submit waivers of lien on forms, executed in a manner acceptable to Owner.
- H. Initial Application for Payment: Administrative actions and submittals that must precede or coincide with submittal of first Application for Payment include the following:
1. List of subcontractors.
 2. Schedule of values.
 3. Contractor's construction schedule (preliminary if not final).
 4. Combined Contractor's construction schedule (preliminary if not final) incorporating Work of multiple contracts, with indication of acceptance of schedule by each Contractor.
 5. Products list (preliminary if not final).
 6. Schedule of unit prices.
 7. Submittal schedule (preliminary if not final).
 8. List of Contractor's staff assignments.
 9. List of Contractor's principal consultants.
 10. Copies of building permits.
 11. Copies of authorizations and licenses from authorities having jurisdiction for performance of the Work.
 12. Initial progress report.
 13. Report of preconstruction conference.
 14. Certificates of insurance and insurance policies.
 15. Performance and payment bonds.

16. Data needed to acquire Owner's insurance.

- I. Application for Payment at Substantial Completion: After issuing the Certificate of Substantial Completion, submit an Application for Payment showing 100 percent completion for portion of the Work claimed as substantially complete.
 - 1. Include documentation supporting claim that the Work is substantially complete and a statement showing an accounting of changes to the Contract Sum.
 - 2. This application shall reflect Certificates of Partial Substantial Completion issued previously for Owner occupancy of designated portions of the Work.

- J. Final Payment Application: Submit final Application for Payment with releases and supporting documentation not previously submitted and accepted, including, but not limited, to the following:
 - 1. Evidence of completion of Project closeout requirements.
 - 2. Insurance certificates for products and completed operations where required and proof that taxes, fees, and similar obligations were paid.
 - 3. Updated final statement, accounting for final changes to the Contract Sum.
 - 4. AIA Document G706, "Contractor's Affidavit of Payment of Debts and Claims."
 - 5. AIA Document G706A, "Contractor's Affidavit of Release of Liens."
 - 6. AIA Document G707, "Consent of Surety to Final Payment."
 - 7. Evidence that claims have been settled.
 - 8. Final meter readings for utilities, a measured record of stored fuel, and similar data as of date of Substantial Completion or when Owner took possession of and assumed responsibility for corresponding elements of the Work.

PART 2 - PRODUCTS (Not Used)

PART 3 - EXECUTION (Not Used)

END OF SECTION 012900

THIS PAGE INTENTIONALLY LEFT BLANK

SECTION 013100 - PROJECT MANAGEMENT AND COORDINATION

PART 1 - GENERAL

1.1 RELATED DOCUMENTS

- A. Drawings and general provisions of the Contract, including General and Supplementary Conditions and other Division 01 Specification Sections, apply to this Section.

1.2 SUMMARY

- A. Section includes administrative provisions for coordinating construction operations on Project including, but not limited to, the following:
 - 1. General project coordination procedures.
 - 2. Administrative and supervisory personnel.
 - 3. Coordination drawings.
 - 4. Requests for Information (RFIs).
 - 5. Project meetings.
- B. Each contractor shall participate in coordination requirements. Certain areas of responsibility are assigned to a specific contractor.
- C. Related Sections:
 - 1. Division 01 Section "Construction Progress Documentation" for preparing and submitting Contractor's construction schedule.
 - 2. Division 01 Section "Execution" for procedures for coordinating general installation and field-engineering services, including establishment of benchmarks and control points.
 - 3. Division 01 Section "Closeout Procedures" for coordinating closeout of the Contract.

1.3 DEFINITIONS

- A. RFI: Request from Owner, Architect, or Contractor seeking information from each other during construction.

1.4 COORDINATION

- A. Coordination: Coordinate construction operations included in different Sections of the Specifications to ensure efficient and orderly installation of each part of the Work. Coordinate construction operations, included in different Sections, that depend on each other for proper installation, connection, and operation.
 - 1. Schedule construction operations in sequence required to obtain the best results where installation of one part of the Work depends on installation of other components, before or after its own installation.

2. Coordinate installation of different components to ensure maximum performance and accessibility for required maintenance, service, and repair.
 3. Make adequate provisions to accommodate items scheduled for later installation.
- B. Administrative Procedures: Coordinate scheduling and timing of required administrative procedures with other construction activities and activities of other contractors to avoid conflicts and to ensure orderly progress of the Work. Such administrative activities include, but are not limited to, the following:
1. Preparation of Contractor's construction schedule.
 2. Preparation of the schedule of values.
 3. Installation and removal of temporary facilities and controls.
 4. Delivery and processing of submittals.
 5. Progress meetings.
 6. Preinstallation conferences.
 7. Project closeout activities.
 8. Startup and adjustment of systems.
 9. Project closeout activities.
- C. Conservation: Coordinate construction activities to ensure that operations are carried out with consideration given to conservation of energy, water, and materials. Coordinate use of temporary utilities to minimize waste.
1. Salvage materials and equipment involved in performance of, but not actually incorporated into, the Work. Refer to other Sections for disposition of salvaged materials that are designated as Owner's property.

1.5 COORDINATION DRAWINGS

- A. Coordination Drawings, General: Prepare coordination drawings in accordance with requirements in individual Sections, where installation is not completely shown on Shop Drawings, where limited space availability necessitates coordination, or if coordination is required to facilitate integration of products and materials fabricated or installed by more than one entity.
1. Content: Project-specific information, drawn accurately to a scale large enough to indicate and resolve conflicts. Do not base coordination drawings on standard printed data. Include the following information, as applicable:
 - a. Use applicable Drawings as a basis for preparation of coordination drawings. Prepare sections, elevations, and details as needed to describe relationship of various systems and components.
 - b. Coordinate the addition of trade-specific information to the coordination drawings by multiple contractors in a sequence that best provides for coordination of the information and resolution of conflicts between installed components before submitting for review.
 - c. Indicate functional and spatial relationships of components of architectural, structural, civil, mechanical, and electrical systems.

- d. Indicate space requirements for routine maintenance and for anticipated replacement of components during the life of the installation.
- e. Show location and size of access doors required for access to concealed dampers, valves, and other controls.
- f. Indicate required installation sequences.
- g. Indicate dimensions shown on the Drawings. Specifically note dimensions that appear to be in conflict with submitted equipment and minimum clearance requirements. Provide alternate sketches to Architect indicating proposed resolution of such conflicts. Minor dimension changes and difficult installations will not be considered changes to the Contract.

B. Coordination Digital Data Files: Prepare coordination digital data files in accordance with the following requirements:

1. File Preparation Format: Same digital data software program, version, and operating system as the original Drawings.
2. File Preparation Format: DWG, Version Autocadd 2008 operating in Microsoft Windows operating system.
3. File Submittal Format: Submit or post coordination drawing files using Portable Data File (PDF) format.
4. Architect will furnish Contractor one set of digital data files of the Drawings for use in preparing coordination digital data files.
 - a. Architect makes no representations as to the accuracy or completeness of digital data files as they relate to the Drawings.
 - b. Digital Data Software Program: The Drawings are available in DWG, Version Autocadd 2008 operating in Microsoft Windows operating system.
 - c. Contractor shall execute a data licensing agreement in the form of an Agreement form acceptable to the Owner and Architect.

1.6 KEY PERSONNEL

- A. Key Personnel Names: Within 15 days of starting construction operations, submit a list of key personnel assignments, including superintendent and other personnel in attendance at Project site. Identify individuals and their duties and responsibilities; list addresses and telephone numbers, including home, office, and cellular telephone numbers and email addresses. Provide names, addresses, and telephone numbers of individuals assigned as standbys in the absence of individuals assigned to Project.
1. Post copies of list in project meeting room, in temporary field office, and by each temporary telephone. Keep list current at all times.

1.7 REQUESTS FOR INFORMATION (RFIs)

- A. General: Immediately on discovery of the need for additional information or interpretation of the Contract Documents, Contractor shall prepare and submit an RFI in the form specified.

1. Architect will return RFIs submitted to Architect by other entities controlled by Contractor with no response.
 2. Coordinate and submit RFIs in a prompt manner so as to avoid delays in Contractor's work or work of subcontractors.
- B. Content of the RFI: Include a detailed, legible description of item needing information or interpretation and the following:
1. Project name.
 2. Project number.
 3. Date.
 4. Name of Contractor.
 5. Name of Architect
 6. RFI number, numbered sequentially.
 7. RFI subject.
 8. Specification Section number and title and related paragraphs, as appropriate.
 9. Drawing number and detail references, as appropriate.
 10. Field dimensions and conditions, as appropriate.
 11. Contractor's suggested resolution. If Contractor's solution(s) impacts the Contract Time or the Contract Sum, Contractor shall state impact in the RFI.
 12. Contractor's signature.
 13. Attachments: Include sketches, descriptions, measurements, photos, Product Data, Shop Drawings, coordination drawings, and other information necessary to fully describe items needing interpretation.
 - a. Include dimensions, thicknesses, structural grid references, and details of affected materials, assemblies, and attachments on attached sketches.
- C. RFI Forms: AIA Document G716
- D. Architect's Action: Architect will review each RFI, determine action required, and respond. Allow seven working days for Architect's response for each RFI. RFIs received by Architect after 1:00 p.m. will be considered as received the following working day.
1. The following RFIs will be returned without action:
 - a. Requests for approval of submittals.
 - b. Requests for approval of substitutions.
 - c. Requests for coordination information already indicated in the Contract Documents.
 - d. Requests for adjustments in the Contract Time or the Contract Sum.
 - e. Requests for interpretation of Architect's actions on submittals.
 - f. Incomplete RFIs or inaccurately prepared RFIs.
 2. Architect's action may include a request for additional information, in which case Architect's time for response will date from time of receipt of additional information.
 3. Architect's action on RFIs that may result in a change to the Contract Time or the Contract Sum may be eligible for Contractor to submit Change Proposal according to Division 01 Section "Contract Modification Procedures."

- a. If Contractor believes the RFI response warrants change in the Contract Time or the Contract Sum, notify Architect in writing within 10 days of receipt of the RFI response.

1.8 PROJECT MEETINGS

- A. General: Schedule and conduct meetings and conferences at Project site, unless otherwise indicated.

1. Attendees: Inform participants and others involved, and individuals whose presence is required, of date and time of each meeting. Notify Owner and Architect of scheduled meeting dates and times.
2. Agenda: Prepare the meeting agenda. Distribute the agenda to all invited attendees.
3. Minutes: Entity responsible for conducting meeting will record significant discussions and agreements achieved. Distribute the meeting minutes to everyone concerned, including Owner and Architect, within three days of the meeting.

- B. Preconstruction Conference: Architect will schedule and conduct a preconstruction conference before starting construction, at a time convenient to Owner and Architect, but no later than 15 days after execution of the Agreement.

1. Conduct the conference to review responsibilities and personnel assignments.
2. Attendees: Authorized representatives of Owner, Architect, and their consultants; Contractor and its superintendent; major subcontractors; suppliers; and other concerned parties shall attend the conference. Participants at the conference shall be familiar with Project and authorized to conclude matters relating to the Work.
3. Agenda: Discuss items of significance that could affect progress, including the following:
 - a. Tentative construction schedule.
 - b. Critical work sequencing and long-lead items.
 - c. Designation of key personnel and their duties.
 - d. Lines of communications.
 - e. Procedures for processing field decisions and Change Orders.
 - f. Procedures for RFIs.
 - g. Procedures for testing and inspecting.
 - h. Procedures for processing Applications for Payment.
 - i. Distribution of the Contract Documents.
 - j. Submittal procedures.
 - k. Preparation of record documents.
 - l. Work restrictions.
 - m. Working hours.
 - n. Owner's occupancy requirements.
 - o. Responsibility for temporary facilities and controls.
 - p. Construction waste management and recycling.
 - q. Parking availability.
 - r. Office, work, and storage areas.
 - s. Equipment deliveries and priorities.
 - t. Security.

- u. Progress cleaning.
 - 4. Minutes: Entity responsible for conducting meeting will record and distribute meeting minutes.
- C. Project Closeout Conference: Schedule and conduct a Project closeout conference, at a time convenient to Owner and Architect, but no later than 30 days prior to the scheduled date of Substantial Completion.
- 1. Conduct the conference to review requirements and responsibilities related to Project closeout.
 - 2. Attendees: Authorized representatives of Owner, Architect, and their consultants; Contractor and its superintendent; major subcontractors; suppliers; and other concerned parties shall attend the meeting. Participants at the meeting shall be familiar with Project and authorized to conclude matters relating to the Work.
 - 3. Agenda: Discuss items of significance that could affect or delay Project closeout, including the following:
 - a. Preparation of record documents.
 - b. Procedures required prior to inspection for Substantial Completion and for final inspection for acceptance.
 - c. Submittal of written warranties.
 - d. Requirements for preparing sustainable design documentation.
 - e. Requirements for preparing operations and maintenance data.
 - f. Requirements for demonstration and training.
 - g. Preparation of Contractor's punch list.
 - h. Procedures for processing Applications for Payment at Substantial Completion and for final payment.
 - i. Submittal procedures.
 - j. Coordination of separate contracts.
 - k. Owner's partial occupancy requirements.
 - l. Installation of Owner's furniture, fixtures, and equipment.
 - m. Responsibility for removing temporary facilities and controls.
 - 4. Minutes: Entity conducting meeting will record and distribute meeting minutes.
- D. Progress Meetings: Conduct progress meetings at biweekly intervals.
- 1. Coordinate dates of meetings with preparation of payment requests.
 - 2. Attendees: In addition to representatives of Owner, and Architect, each contractor, subcontractor, supplier, and other entity concerned with current progress or involved in planning, coordination, or performance of future activities shall be represented at these meetings. All participants at the meeting shall be familiar with Project and authorized to conclude matters relating to the Work.
 - 3. Agenda: Review and correct or approve minutes of previous progress meeting. Review other items of significance that could affect progress. Include topics for discussion as appropriate to status of Project.
 - a. Contractor's Construction Schedule: Review progress since the last meeting. Determine whether each activity is on time, ahead of schedule, or behind schedule,

in relation to Contractor's construction schedule. Determine how construction behind schedule will be expedited; secure commitments from parties involved to do so. Discuss whether schedule revisions are required to ensure that current and subsequent activities will be completed within the Contract Time.

- 1) Review schedule for next period.
- b. Review present and future needs of each entity present, including the following:
- 1) Interface requirements.
 - 2) Sequence of operations.
 - 3) Status of submittals.
 - 4) Deliveries.
 - 5) Off-site fabrication.
 - 6) Access.
 - 7) Site utilization.
 - 8) Temporary facilities and controls.
 - 9) Progress cleaning.
 - 10) Quality and work standards.
 - 11) Status of correction of deficient items.
 - 12) Field observations.
 - 13) Status of RFIs.
 - 14) Status of proposal requests.
 - 15) Pending changes.
 - 16) Status of Change Orders.
 - 17) Pending claims and disputes.
 - 18) Documentation of information for payment requests.
4. Minutes: Entity responsible for conducting the meeting will record and distribute the meeting minutes to each party present and to parties requiring information.
- a. Schedule Updating: Revise Contractor's construction schedule after each progress meeting where revisions to the schedule have been made or recognized. Issue revised schedule concurrently with the report of each meeting.

PART 2 - PRODUCTS (Not Used)

PART 3 - EXECUTION (Not Used)

END OF SECTION 013100

THIS PAGE INTENTIONALLY LEFT BLANK

SECTION 013200 - CONSTRUCTION PROGRESS DOCUMENTATION

PART 1 - GENERAL

1.1 RELATED DOCUMENTS

- A. Drawings and general provisions of the Contract, including General and Supplementary Conditions and other Division 01 Specification Sections, apply to this Section.

1.2 SUMMARY

- A. Section includes administrative and procedural requirements for documenting the progress of construction during performance of the Work, including the following:
 - 1. Start-up construction schedule.
 - 2. Contractor's construction schedule.
 - 3. Special reports.
- B. Related Sections:
 - 1. Division 01 Section "Submittal Procedures" for submitting schedules and reports.
 - 2. Division 01 Section "Quality Requirements" for submitting a schedule of tests and inspections.

1.3 DEFINITIONS

- A. Activity: A discrete part of a project that can be identified for planning, scheduling, monitoring, and controlling the construction project. Activities included in a construction schedule consume time and resources.
 - 1. Critical Activity: An activity on the critical path that must start and finish on the planned early start and finish times.
 - 2. Predecessor Activity: An activity that precedes another activity in the network.
 - 3. Successor Activity: An activity that follows another activity in the network.
- B. Cost Loading: The allocation of the schedule of values for the completion of an activity as scheduled. The sum of costs for all activities must equal the total Contract Sum, unless otherwise approved by Architect.
- C. CPM: Critical path method, which is a method of planning and scheduling a construction project where activities are arranged based on activity relationships. Network calculations determine when activities can be performed and the critical path of the Project.
- D. Critical Path: The longest connected chain of interdependent activities through the network schedule that establishes the minimum overall Project duration and contains no float.
- E. Event: The starting or ending point of an activity.

- F. Float: The measure of leeway in starting and completing an activity.
 - 1. Float time is not for the exclusive use or benefit of either Owner or Contractor, but is a jointly owned, expiring Project resource available to both parties as needed to meet schedule milestones and Contract completion date.
 - 2. Free float is the amount of time an activity can be delayed without adversely affecting the early start of the successor activity.
 - 3. Total float is the measure of leeway in starting or completing an activity without adversely affecting the planned Project completion date.
- G. Resource Loading: The allocation of manpower and equipment necessary for the completion of an activity as scheduled.
- H. Fragnet: A partial or fragmentary network that breaks down activities into smaller activities for greater detail.
- I. Major Area: A story of construction, a separate building, or a similar significant construction element.
- J. Milestone: A key or critical point in time for reference or measurement.
- K. Network Diagram: A graphic diagram of a network schedule, showing activities and activity relationships.

1.4 SUBMITTALS

- A. Submittals Schedule: Submit three copies of schedule. Arrange the following information in a tabular format:
 - 1. Scheduled date for a first submittal.
 - 2. Specifications Section number and title.
 - 3. Submittal category (action or informal).
 - 4. Name of subcontractor.
 - 5. Description of the Work covered.
 - 6. Scheduled date for Architect's final release or approval.
- B. Contractor's Construction Schedule: Submit three opaque copies of initial schedule, large enough to show entire schedule for entire construction period.
- C. Field Condition Reports: Submit three copies at a time of discovery of differing conditions.
- D. Special Reports: Submit three copies at time of unusual events.

1.5 COORDINATION

- A. Coordinate preparation and processing of schedules and reports with performance of construction activities and with scheduling and reporting of separate contractors.

- B. Coordinate Contractor's construction schedule with the schedule of values, list of subcontracts, submittal schedule, progress reports, payment requests, and other required schedules and reports.
 - 1. Secure time commitments for performing critical elements of the Work from entities involved.
 - 2. Coordinate each construction activity in the network with other activities and schedule them in proper sequence.

PART 2 - PRODUCTS

2.1 SUBMITTALS SCHEDULE

- A. Preparation: Submit a schedule of submittals, arranged in chronological order by dates required by construction schedule. Include time required for review, resubmittal, ordering, manufacturing, fabrication, and delivery when establishing dates.
 - 1. Coordinate Submittals Schedule with list of subcontractors, the Schedule of Values, and Contractor's Construction Schedule.
 - 2. Initial Submittal: Submit concurrently with preliminary schedule. Include submittals required during the first 60 days of construction. List those required to maintain orderly progress of the Work and those required early because of long lead time for manufacture or fabrication.
 - a. At Contractor's option, show submittals on the Preliminary Construction Schedule, instead of tabulating them separately.
 - 3. Final Submittal: Submit concurrently with the first complete submittal of Contractor's Construction Schedule.

2.2 CONTRACTOR'S CONSTRUCTION SCHEDULE, GENERAL

- A. Procedures: Comply with procedures contained in AGC's "Construction Planning and Scheduling".
- B. Time Frame: Extend schedule from date established for commencement of the Work date of Substantial Completion.
 - 1. Contract completion date shall not be changed by submission of a schedule that shows an early completion date, unless specifically authorized by Change Order.
- C. Activities: Treat each story or separate area as a separate numbered activity for each principal element of the Work. Comply with the following:
 - 1. Activity Duration: Define activities so no activity is longer than 20 days, unless specifically allowed by Architect.
 - 2. Submittal Review Time: Include review and resubmittal times indicated in Division 01 Section "Submittal Procedures" in schedule. Coordinate submittal review times in Contractor's construction schedule with submittal schedule.

3. Substantial Completion: Indicate completion in advance of date established for Substantial Completion, and allow time for Architect's administrative procedures necessary for certification of Substantial Completion.
- D. Constraints: Include constraints and work restrictions indicated in the Contract Documents and as follows in schedule, and show how the sequence of the Work is affected.
1. Phasing: Arrange list of activities on schedule by phase.
 2. Work by Owner: Include a separate activity for each portion of the Work performed by Owner.
 3. Products Ordered in Advance: Include a separate activity for each product. Include delivery date indicated in Division 01 Section "Summary." Delivery dates indicated stipulate the earliest possible delivery date.
 4. Owner-Furnished Products: Include a separate activity for each product. Include delivery date indicated in Division 01 Section "Summary." Delivery dates indicated stipulate the earliest possible delivery date.
 5. Work Restrictions: Show the effect of the following items on the schedule:
 - a. Coordination with existing construction.
 - b. Limitations of continued occupancies.
 - c. Uninterruptible services.
 - d. Partial occupancy before Substantial Completion.
 - e. Use of premises restrictions.
 - f. Provisions for future construction.
 - g. Seasonal variations.
 - h. Environmental control.
 6. Work Stages: Indicate important stages of construction for each major portion of the Work, including, but not limited to, the following:
 - a. Subcontract awards.
 - b. Submittals.
 - c. Purchases.
 - d. Mockups.
 - e. Fabrication.
 - f. Sample testing.
 - g. Deliveries.
 - h. Installation.
 - i. Tests and inspections.
 - j. Adjusting.
 - k. Curing.
 - l. Startup and placement into final use and operation.
- E. Milestones: Include milestones indicated in the Contract Documents in schedule, including, but not limited to, the Notice to Proceed, Substantial Completion, and final completion.
- F. Contract Modifications: For each proposed contract modification and concurrent with its submission, prepare a time-impact analysis using fragnets to demonstrate the effect of the proposed change on the overall project schedule.

2.3 REPORTS

- A. Field Condition Reports: Immediately on discovery of a difference between field conditions and the Contract Documents, prepare and submit a detailed report. Submit with a Request for Information. Include a detailed description of the differing conditions, together with recommendations for changing the Contract Documents.

2.4 SPECIAL REPORTS

- A. General: Submit special reports directly to Owner within one day(s) of an occurrence. Distribute copies of report to parties affected by the occurrence.
- B. Reporting Unusual Events: When an event of an unusual and significant nature occurs at Project site, whether or not related directly to the Work, prepare and submit a special report. List chain of events, persons participating, response by Contractor's personnel, evaluation of results or effects, and similar pertinent information. Advise Owner in advance when these events are known or predictable.

PART 3 - EXECUTION

3.1 CONTRACTOR'S CONSTRUCTION SCHEDULE

- A. Contractor's Construction Schedule Updating: At monthly intervals, update schedule to reflect actual construction progress and activities. Issue schedule one week before each regularly scheduled progress meeting.
 - 1. Revise schedule immediately after each meeting or other activity where revisions have been recognized or made. Issue updated schedule concurrently with the report of each such meeting.
 - 2. Include a report with updated schedule that indicates every change, including, but not limited to, changes in logic, durations, actual starts and finishes, and activity durations.
 - 3. As the Work progresses, indicate final completion percentage for each activity.
- B. Distribution: Distribute copies of approved schedule to Architect, Owner, separate contractors, testing and inspecting agencies, and other parties identified by Contractor with a need-to-know schedule responsibility.
 - 1. Post copies in Project meeting rooms and temporary field offices.
 - 2. When revisions are made, distribute updated schedules to the same parties and post in the same locations. Delete parties from distribution when they have completed their assigned portion of the Work and are no longer involved in performance of construction activities.

END OF SECTION 013200

THIS PAGE INTENTIONALLY LEFT BLANK

SECTION 013300 - SUBMITTAL PROCEDURES

PART 1 - GENERAL

1.1 RELATED DOCUMENTS

- A. Drawings and general provisions of the Contract, including General and Supplementary Conditions and other Division 01 Specification Sections, apply to this Section.

1.2 SUMMARY

- A. Section includes requirements for the submittal schedule and administrative and procedural requirements for submitting Shop Drawings, Product Data, Samples, and other submittals.
- B. Related Sections:
 - 1. Division 01 Section "Payment Procedures" for submitting Applications for Payment and the schedule of values.
 - 2. Division 1 Section "Project Management and Coordination" for submitting and distributing meeting and conference minutes and for submitting Coordination Drawings.
 - 3. Division 01 Section "Construction Progress Documentation" for submitting schedules and reports, including Contractor's construction schedule.
 - 4. Division 01 Section "Operation and Maintenance Data" for submitting operation and maintenance manuals.
 - 5. Division 1 Section "Closeout Procedures" for submitting warranties.
 - 6. Division 01 Section "Project Record Documents" for submitting record Drawings, record Specifications, and record Product Data.
 - 7. Divisions 2 through 16 Sections for specific requirements for submittals in those Sections.

1.3 DEFINITIONS

- A. Action Submittals: Written and graphic information and physical samples that require Architect's responsive action.
- B. Informational Submittals: Written and graphic information and physical samples that do not require Architect's responsive action. Submittals may be rejected for not complying with requirements.

1.4 SUBMITTAL PROCEDURES

- A. Architect's Digital Data Files: Electronic copies of CAD Drawings of the Contract Drawings will not be provided by Architect for Contractor's use in preparing submittals.

- B. Coordination: Coordinate preparation and processing of submittals with performance of construction activities.
1. Coordinate each submittal with fabrication, purchasing, testing, delivery, other submittals, and related activities that require sequential activity.
 2. Coordinate transmittal of different types of submittals for related parts of the Work so processing will not be delayed because of need to review submittals concurrently for coordination.
 - a. Architect reserves the right to withhold action on a submittal requiring coordination with other submittals until related submittals are received.
- C. Submittals Schedule: Comply with requirements in Division 1 Section "Construction Progress Documentation" for list of submittals and time requirements for scheduled performance of related construction activities.
- D. Processing Time: Allow time for submittal review, including time for resubmittals, as follows. Time for review shall commence on Architect's receipt of submittal. No extension of the Contract Time will be authorized because of failure to transmit submittals enough in advance of the Work to permit processing, including resubmittals.
1. Initial Review: Allow 15 days for initial review of each submittal. Allow additional time if coordination with subsequent submittals is required. Architect will advise Contractor when a submittal being processed must be delayed for coordination.
 2. Intermediate Review: If intermediate submittal is necessary, process it in same manner as initial submittal.
 3. Resubmittal Review: Allow 7 days for review of each resubmittal.
 4. Sequential Review: Where sequential review of submittals by Architect's consultants, Owner, or other parties is indicated, allow 21 days for initial review of each submittal.
 5. Concurrent Consultant Review: Where the Contract Documents indicate that submittals may be transmitted simultaneously to Architect and to Architect's consultants, allow 15 days for review of each submittal. Submittal will be returned to Architect before being returned to Contractor.
- E. Identification: Place a permanent label or title block on each paper copy submittal item for identification.
1. Indicate name of firm or entity that prepared each submittal on label or title block.
 2. Provide a space approximately 6 by 8 inches (150 by 200 mm) on label or beside title block to record Contractor's review and approval markings and action taken by Architect.
 3. Include the following information for processing and recording action taken:
 - a. Project name.
 - b. Date.
 - c. Name and Address of Architect.
 - d. Name and Address of Contractor.
 - e. Name and Address of subcontractor.
 - f. Name and Address of supplier.
 - g. Name of manufacturer.

- h. Submittal number or other unique identifier, including revision identifier.
 - 1) Submittal number shall use Specification Section number followed by a decimal point and then a sequential number (e.g., 061000.01). Resubmittals shall include an alphabetic suffix after another decimal point (e.g., 061000.01.A).
 - i. Number and title of appropriate Specification Section.
 - j. Drawing number and detail references, as appropriate.
 - k. Location(s) where product is to be installed, as appropriate.
 - l. Other necessary identification.
- F. Deviations: Identify deviations from the Contract Documents on submittals.
- G. Additional Paper Copies: Unless additional copies are required for final submittal, and unless Architect observes noncompliance with provisions in the Contract Documents, initial submittal may serve as final submittal.
 - 1. Submit one copy of submittal to concurrent reviewer in addition to specified number of copies to Architect.
 - 2. Additional copies submitted for maintenance manuals will not be marked with action taken and will be returned.
- H. Transmittal: Package each submittal individually and appropriately for transmittal and handling. Transmit each submittal using a transmittal form. Architect will return submittals, without review, received from sources other than Contractor.
 - 1. Transmittal Form: Provide locations on form for the following information:
 - a. Project name.
 - b. Date.
 - c. Destination (To:).
 - d. Source (From:).
 - e. Names of subcontractor, manufacturer, and supplier.
 - f. Category and type of submittal.
 - g. Submittal purpose and description.
 - h. Specification Section number and title.
 - i. Drawing number and detail references, as appropriate.
 - j. Transmittal number.
 - k. Submittal and transmittal distribution record.
 - l. Remarks.
 - m. Signature of transmitter.
 - 2. On an attached separate sheet, prepared on Contractor's letterhead, record relevant information, requests for data, revisions other than those requested by Architect on previous submittals, and deviations from requirements in the Contract Documents, including minor variations and limitations. Include same identification information as related submittal.
- I. Resubmittals: Make resubmittals in same form and number of copies as initial submittal.

1. Note date and content of previous submittal.
 2. Note date and content of revision in label or title block and clearly indicate extent of revision.
 3. Resubmit submittals until they are marked "Reviewed" or "Reviewed w/ corrections noted".
- J. Distribution: Furnish copies of final submittals to manufacturers, subcontractors, suppliers, fabricators, installers, authorities having jurisdiction, and others as necessary for performance of construction activities. Show distribution on transmittal forms.
- K. Use for Construction: Use only final submittals with mark indicating "Reviewed" or "Reviewed w/ corrections noted" taken by Architect.

PART 2 - PRODUCTS

2.1 ACTION SUBMITTALS

- A. General: Prepare and submit Action Submittals required by individual Specification Sections.
- B. Product Data: Collect information into a single submittal for each element of construction and type of product or equipment.
1. If information must be specially prepared for submittal because standard printed data are not suitable for use, submit as Shop Drawings, not as Product Data.
 2. Mark each copy of each submittal to show which products and options are applicable.
 3. Include the following information, as applicable:
 - a. Manufacturer's written recommendations.
 - b. Manufacturer's product specifications.
 - c. Manufacturer's installation instructions.
 - d. Standard color charts.
 - e. Manufacturer's catalog cuts.
 - f. Wiring diagrams showing factory-installed wiring.
 - g. Printed performance curves.
 - h. Operational range diagrams.
 - i. Mill reports.
 - j. Standard product operation and maintenance manuals.
 - k. Compliance with specified referenced standards.
 - l. Testing by recognized testing agency.
 - m. Application of testing agency labels and seals.
 - n. Notation of coordination requirements.
 4. Submit Product Data before or concurrent with Samples.
 5. Number of Copies: Submit three copies of Product Data, unless otherwise indicated. Architect will return two copies. Mark up and retain one returned copy as a Project Record Document.
- C. Shop Drawings: Prepare Project-specific information, drawn accurately to scale. Do not base Shop Drawings on reproductions of the Contract Documents or standard printed data
1. Preparation: Fully illustrate requirements in the Contract Documents. Include the following information, as applicable:

- a. Dimensions.
 - b. Identification of products.
 - c. Fabrication and installation drawings.
 - d. Roughing-in and setting diagrams.
 - e. Wiring diagrams showing field-installed wiring, including power, signal, and control wiring.
 - f. Shopwork manufacturing instructions.
 - g. Templates and patterns.
 - h. Schedules.
 - i. Design calculations.
 - j. Compliance with specified standards.
 - k. Notation of coordination requirements.
 - l. Notation of dimensions established by field measurement.
 - m. Relationship to adjoining construction clearly indicated.
 - n. Seal and signature of professional engineer if specified.
 - o. Wiring Diagrams: Differentiate between manufacturer-installed and field-installed wiring.
2. Sheet Size: Except for templates, patterns, and similar full-size drawings, submit Shop Drawings on sheets at least 8-1/2 by 11 inches (215 by 280 mm) but no larger than 30 by 40 inches (750 by 1000 mm).
 3. Number of Copies: Submit three opaque copies of each submittal, unless copies are required for operation and maintenance manuals. Submit five copies where copies are required for operation and maintenance manuals. Architect will retain two copies; remainder will be returned. Mark up and retain one returned copy as a Project Record Drawing.
- D. Samples: Submit Samples for review of kind, color, pattern, and texture for a check of these characteristics with other elements and for a comparison of these characteristics between submittal and actual component as delivered and installed.
1. Transmit Samples that contain multiple, related components such as accessories together in one submittal package.
 2. Identification: Attach label on unexposed side of Samples that includes the following:
 - a. Generic description of Sample.
 - b. Product name and name of manufacturer.
 - c. Sample source.
 - d. Number and title of appropriate Specification Section.
 3. Disposition: Maintain sets of approved Samples at Project site, available for quality-control comparisons throughout the course of construction activity. Sample sets may be used to determine final acceptance of construction associated with each set.
 - a. Samples that may be incorporated into the Work are indicated in individual Specification Sections. Such Samples must be in an undamaged condition at time of use.
 - b. Samples not incorporated into the Work, or otherwise designated as Owner's property, are the property of Contractor.
 4. Samples for Initial Selection: Submit manufacturer's color charts consisting of units or sections of units showing the full range of colors, textures, and patterns available.
 - a. Number of Samples: Submit one full set(s) of available choices where color, pattern, texture, or similar characteristics are required to be selected from manufacturer's product line. Architect will return submittal with options selected.

5. Samples for Verification: Submit full-size units or Samples of size indicated, prepared from same material to be used for the Work, cured and finished in manner specified, and physically identical with material or product proposed for use, and that show full range of color and texture variations expected. Samples include, but are not limited to, the following: partial sections of manufactured or fabricated components; small cuts or containers of materials; complete units of repetitively used materials; swatches showing color, texture, and pattern; color range sets; and components used for independent testing and inspection.
 - a. Number of Samples: Submit three sets of Samples. Architect will retain two Sample sets; remainder will be returned. Mark up and retain one returned Sample set as a Project Record Sample.
 - 1) Submit a single Sample where assembly details, workmanship, fabrication techniques, connections, operation, and other similar characteristics are to be demonstrated.
 - 2) If variation in color, pattern, texture, or other characteristic is inherent in material or product represented by a Sample, submit at least three sets of paired units that show approximate limits of variations.
- E. Product Schedule or List: As required in individual Specification Sections, prepare a written summary indicating types of products required for the Work and their intended location. Include the following information in tabular form:
 1. Type of product. Include unique identifier for each product.
 2. Number and name of room or space.
 3. Location within room or space.
 4. Number of Copies: Submit three copies of product schedule or list, unless otherwise indicated. Architect will return one copies.
 - a. Mark up and retain one returned copy as a Project Record Document.
- F. Contractor's Construction Schedule: Comply with requirements specified in Division 1 Section "Construction Progress Documentation" for Construction Manager's action.
- G. Submittals Schedule: Comply with requirements specified in Division 1 Section "Construction Progress Documentation."
- H. Application for Payment: Comply with requirements specified in Division 1 Section "Payment Procedures."
- I. Schedule of Values: Comply with requirements specified in Division 1 Section "Payment Procedures."
- J. Subcontract List: Prepare a written summary identifying individuals or firms proposed for each portion of the Work, including those who are to furnish products or equipment fabricated to a special design. Include the following information in tabular form:
 1. Name, address, and telephone number of entity performing subcontract or supplying products.
 2. Number and title of related Specification Section(s) covered by subcontract.
 3. Drawing number and detail references, as appropriate, covered by subcontract.
 4. Number of Copies: Submit three copies of subcontractor list, unless otherwise indicated. Architect will return one copy.
 - a. Mark up and retain one returned copy as a Project Record Document.

2.2 INFORMATIONAL SUBMITTALS

- A. General: Prepare and submit Informational Submittals required by other Specification Sections.
 - 1. Number of Copies: Submit two copies of each submittal, unless otherwise indicated. Architect will not return copies.
 - 2. Test and Inspection Reports: Comply with requirements specified in Division 1 Section "Quality Requirements."
- B. Coordination Drawings: Comply with requirements specified in Division 1 Section "Project Management and Coordination."
- C. Contractor's Construction Schedule: Comply with requirements specified in Division 1 Section "Construction Progress Documentation."
- D. Qualification Data: Prepare written information that demonstrates capabilities and experience of firm or person. Include lists of completed projects with project names and addresses, names and addresses of architects and owners, and other information specified.
- E. Manufacturer Certificates: Prepare written statements on manufacturer's letterhead certifying that manufacturer complies with requirements in the Contract Documents. Include evidence of manufacturing experience where required.
- F. Product Certificates: Prepare written statements on manufacturer's letterhead certifying that product complies with requirements in the Contract Documents.
- G. Material Certificates: Prepare written statements on manufacturer's letterhead certifying that material complies with requirements in the Contract Documents.
- H. Material Test Reports: Prepare reports written by a qualified testing agency, on testing agency's standard form, indicating and interpreting test results of material for compliance with requirements in the Contract Documents.
- I. Product Test Reports: Prepare written reports indicating current product produced by manufacturer complies with requirements in the Contract Documents. Base reports on evaluation of tests performed by manufacturer and witnessed by a qualified testing agency, or on comprehensive tests performed by a qualified testing agency.
- J. Research/Evaluation Reports: Prepare written evidence, from a model code organization acceptable to authorities having jurisdiction, that product complies with building code in effect for Project. Include the following information:
 - 1. Name of evaluation organization.
 - 2. Date of evaluation.
 - 3. Time period when report is in effect.
 - 4. Product and manufacturers' names.
 - 5. Description of product.
 - 6. Test procedures and results.
 - 7. Limitations of use.
- K. Schedule of Tests and Inspections: Comply with requirements specified in Division 1 Section "Quality Requirements."

- L. Field Test Reports: Prepare reports written by a qualified testing agency, on testing agency's standard form, indicating and interpreting results of field tests performed either during installation of product or after product is installed in its final location, for compliance with requirements in the Contract Documents.
- M. Maintenance Data: Prepare written and graphic instructions and procedures for operation and normal maintenance of products and equipment. Comply with requirements specified in Division 1 Section "Operation and Maintenance Data."
- N. Manufacturer's Instructions: Prepare written or published information that documents manufacturer's recommendations, guidelines, and procedures for installing or operating a product or equipment. Include name of product and name, address, and telephone number of manufacturer. Include the following, as applicable:
 - 1. Preparation of substrates.
 - 2. Required substrate tolerances.
 - 3. Sequence of installation or erection
 - 4. Required installation tolerances.
 - 5. Required adjustments.
 - 6. Recommendations for cleaning and protection.
- O. Insurance Certificates and Bonds: Prepare written information indicating current status of insurance or bonding coverage. Include name of entity covered by insurance or bond, limits of coverage, amounts of deductibles, if any, and term of the coverage.
- P. Material Safety Data Sheets (MSDSs): Submit information directly to Owner; do not submit to Architect.
 - 1. Architect will not review submittals that include MSDSs and will return the entire submittal for resubmittal.

PART 3 - EXECUTION

3.1 CONTRACTOR'S REVIEW

- A. Action and Informational Submittals: Review each submittal and check for coordination with other Work of the Contract and for compliance with the Contract Documents. Note corrections and field dimensions. Mark with approval stamp before submitting to Architect.
- B. Approval Stamp: Stamp each submittal with a uniform, approval stamp. Include Project name and location, submittal number, Specification Section title and number, name of reviewer, date of Contractor's approval, and statement certifying that submittal has been reviewed, checked, and approved for compliance with the Contract Documents.

3.2 ARCHITECT'S ACTION

- A. General: Architect will not review submittals that do not bear Contractor's approval stamp and will return them without action.

Bronson Park Mound Landscaping Improvements - Rebid
City of Kalamazoo
Kalamazoo, Michigan

- B. Action Submittals: Architect will review each submittal, make marks to indicate corrections or modifications required, and return it. Architect will stamp each submittal with an action stamp and will mark stamp appropriately to indicate action, as follows:
1. Reviewed.
 2. Reviewed w/ corrections noted.
 3. Rejected.
 4. Review w/ corrections noted, resubmit.
- C. Informational Submittals: Architect will review each submittal and will not return it, or will return it if it does not comply with requirements. Architect will forward each submittal to appropriate party.
- D. Partial submittals are not acceptable, will be considered nonresponsive, and will be returned without review.
- E. Submittals not required by the Contract Documents may not be reviewed and may be discarded.

END OF SECTION 013300

THIS PAGE INTENTIONALLY LEFT BLANK

SECTION 014000 - QUALITY REQUIREMENTS

PART 1 - GENERAL

1.1 RELATED DOCUMENTS

- A. Drawings and general provisions of the Contract, including General and Supplementary Conditions and other Division 01 Specification Sections, apply to this Section.

1.2 SUMMARY

- A. Section includes administrative and procedural requirements for quality assurance and quality control.
- B. Testing and inspecting services are required to verify compliance with requirements specified or indicated. These services do not relieve Contractor of responsibility for compliance with the Contract Document requirements.
 - 1. Specific quality-assurance and -control requirements for individual construction activities are specified in the Sections that specify those activities. Requirements in those Sections may also cover production of standard products.
 - 2. Specified tests, inspections, and related actions do not limit Contractor's other quality-assurance and -control procedures that facilitate compliance with the Contract Document requirements.
 - 3. Requirements for Contractor to provide quality-assurance and -control services required by Architect, Owner or authorities having jurisdiction are not limited by provisions of this Section.
- C. Related Sections:
 - 1. Division 01 Section "Construction Progress Documentation" for developing a schedule of required tests and inspections.
 - 2. Divisions 02 through 49 Sections for specific test and inspection requirements.

1.3 DEFINITIONS

- A. Quality-Assurance Services: Activities, actions, and procedures performed before and during execution of the Work to guard against defects and deficiencies and substantiate that proposed construction will comply with requirements.
- B. Quality-Control Services: Tests, inspections, procedures, and related actions during and after execution of the Work to evaluate that actual products incorporated into the Work and completed construction comply with requirements. Services do not include contract enforcement activities performed by Architect.

- C. Mockups: Full size physical assemblies that are constructed on-site. Mockups are constructed to verify selections made under sample submittals; to demonstrate aesthetic effects and, where indicated, qualities of materials and execution; to review coordination, testing, or operation; to show interface between dissimilar materials; and to demonstrate compliance with specified installation tolerances. Mockups are not Samples. Unless otherwise indicated, approved mockups establish the standard by which the Work will be judged.
- D. Preconstruction Testing: Tests and inspections performed specifically for the Project before products and materials are incorporated into the Work to verify performance or compliance with specified criteria.
- E. Product Testing: Tests and inspections that are performed by an NRTL, an NVLAP, or a testing agency qualified to conduct product testing and acceptable to authorities having jurisdiction, to establish product performance and compliance with specified requirements.
- F. Source Quality-Control Testing: Tests and inspections that are performed at the source, i.e., plant, mill, factory, or shop.
- G. Field Quality-Control Testing: Tests and inspections that are performed on-site for installation of the Work and for completed Work.
- H. Testing Agency: An entity engaged to perform specific tests, inspections, or both. Testing laboratory shall mean the same as testing agency.
- I. Installer/Applicator/Erector: Contractor or another entity engaged by Contractor as an employee, Subcontractor, or Sub-subcontractor, to perform a particular construction operation, including installation, erection, application, and similar operations.
 - 1. Use of trade-specific terminology in referring to a trade or entity does not require that certain construction activities be performed by accredited or unionized individuals, or that requirements specified apply exclusively to specific trade or trades.
- J. Experienced: When used with an entity or individual, "experienced" means having successfully completed a minimum of five previous projects similar in nature, size, and extent to this Project; being familiar with special requirements indicated; and having complied with requirements of authorities having jurisdiction.

1.4 CONFLICTING REQUIREMENTS

- A. General: If compliance with two or more standards is specified and the standards establish different or conflicting requirements for minimum quantities or quality levels, comply with the most stringent requirement. Refer conflicting requirements that are different, but apparently equal, to Architect for a decision before proceeding.
- B. Minimum Quantity or Quality Levels: The quantity or quality level shown or specified shall be the minimum provided or performed. The actual installation may comply exactly with the minimum quantity or quality specified, or it may exceed the minimum within reasonable limits. To comply with these requirements, indicated numeric values are minimum or maximum, as

appropriate, for the context of requirements. Refer uncertainties to Architect for a decision before proceeding.

1.5 SUBMITTALS

- A. Permits, Licenses, and Certificates: For Owner's records, submit copies of permits, licenses, certifications, inspection reports, releases, jurisdictional settlements, notices, receipts for fee payments, judgments, correspondence, records, and similar documents, established for compliance with standards and regulations bearing on performance of the Work.

1.6 QUALITY ASSURANCE

- A. General: Qualifications paragraphs in this Article establish the minimum qualification levels required; individual Specification Sections specify additional requirements.
- B. Installer Qualifications: A firm or individual experienced in installing, erecting, or assembling work similar in material, design, and extent to that indicated for this Project, whose work has resulted in construction with a record of successful in-service performance.
- C. Manufacturer Qualifications: A firm experienced in manufacturing products or systems similar to those indicated for this Project and with a record of successful in-service performance, as well as sufficient production capacity to produce required units.
- D. Fabricator Qualifications: A firm experienced in producing products similar to those indicated for this Project and with a record of successful in-service performance, as well as sufficient production capacity to produce required units.
- E. Professional Engineer Qualifications: A professional engineer who is legally qualified to practice in jurisdiction where Project is located and who is experienced in providing engineering services of the kind indicated. Engineering services are defined as those performed for installations of the system, assembly, or product that are similar to those indicated for this Project in material, design, and extent.
- F. Specialists: Certain sections of the Specifications require that specific construction activities shall be performed by entities who are recognized experts in those operations. Specialists shall satisfy qualification requirements indicated and shall be engaged for the activities indicated.
 - 1. Requirement for specialists shall not supersede building codes and regulations governing the Work.
- G. Testing Agency Qualifications: An NRTL, an NVLAP, or an independent agency with the experience and capability to conduct testing and inspecting indicated, as documented according to ASTM E 548; and with additional qualifications specified in individual Sections; and where required by authorities having jurisdiction, that is acceptable to authorities.
 - 1. NRTL: A nationally recognized testing laboratory according to 29 CFR 1910.7.
 - 2. NVLAP: A testing agency accredited according to NIST's National Voluntary Laboratory Accreditation Program.

- H. **Factory-Authorized Service Representative Qualifications:** An authorized representative of manufacturer who is trained and approved by manufacturer to inspect installation of manufacturer's products that are similar in material, design, and extent to those indicated for this Project.
- I. **Preconstruction Testing:** Where testing agency is indicated to perform preconstruction testing for compliance with specified requirements for performance and test methods, comply with the following:
1. Contractor responsibilities include the following:
 - a. Provide test specimens representative of proposed products and construction.
 - b. Submit specimens in a timely manner with sufficient time for testing and analyzing results to prevent delaying the Work.
 - c. Provide sizes and configurations of test assemblies, mockups, and laboratory mockups to adequately demonstrate capability of products to comply with performance requirements.
 - d. Build site-assembled test assemblies and mockups using installers who will perform same tasks for Project.
 - e. Build laboratory mockups at testing facility using personnel, products, and methods of construction indicated for the completed Work.
 - f. When testing is complete, remove test specimens, assemblies, mockups, and laboratory mockups; do not reuse products on Project.
 2. **Testing Agency Responsibilities:** Submit a certified written report of each test, inspection, and similar quality-assurance service to Architect, with copy to Contractor. Interpret tests and inspections and state in each report whether tested and inspected work complies with or deviates from the Contract Documents.
- J. **Mockups:** Before installing portions of the Work requiring mockups, build mockups for each form of construction and finish required to comply with the following requirements, using materials indicated for the completed Work:
1. Build mockups in location and of size indicated or, if not indicated, as directed by Architect.
 2. Notify Architect seven days in advance of dates and times when mockups will be constructed.
 3. Demonstrate the proposed range of aesthetic effects and workmanship.
 4. Obtain Architect's approval of mockups before starting work, fabrication, or construction
 - a. Allow seven days for initial review and each re-review of each mockup.
 5. Maintain mockups during construction in an undisturbed condition as a standard for judging the completed Work.
 6. Demolish and remove mockups when directed, unless otherwise indicated.

1.7 QUALITY CONTROL

- A. **Owner Responsibilities:** Where quality-control services are indicated as Owner's responsibility, Owner will engage a qualified testing agency to perform these services.
1. Owner will furnish Contractor with names, addresses, and telephone numbers of testing agencies engaged and a description of types of testing and inspecting they are engaged to perform.

2. Payment for these services will be made from testing and inspecting allowances, as authorized by Change Orders.
 3. Costs for retesting and reinspecting construction that replaces or is necessitated by work that failed to comply with the Contract Documents will be charged to Contractor, and the Contract Sum will be adjusted by Change Order.
- B. Tests and inspections not explicitly assigned to Owner are Contractor's responsibility. Unless otherwise indicated, provide quality-control services specified and those required by authorities having jurisdiction. Perform quality-control services required of Contractor by authorities having jurisdiction, whether specified or not.
1. Where services are indicated as Contractor's responsibility, engage a qualified testing agency to perform these quality-control services.
 - a. Contractor shall not employ same entity engaged by Owner, unless agreed to in writing by Owner.
 2. Notify testing agencies at least 24 hours in advance of time when Work that requires testing or inspecting will be performed.
 3. Where quality-control services are indicated as Contractor's responsibility, submit a certified written report, in duplicate, of each quality-control service.
 4. Testing and inspecting requested by Contractor and not required by the Contract Documents are Contractor's responsibility.
 5. Submit additional copies of each written report directly to authorities having jurisdiction, when they so direct.
- C. Manufacturer's Field Services: Where indicated, engage a factory-authorized service representative to inspect field-assembled components and equipment installation, including service connections. Report results in writing as specified in Division 1 Section "Submittal Procedures."
- D. Retesting/Reinspecting: Regardless of whether original tests or inspections were Contractor's responsibility, provide quality-control services, including retesting and reinspecting, for construction that replaced Work that failed to comply with the Contract Documents.
- E. Testing Agency Responsibilities: Cooperate with Architect and Contractor in performance of duties. Provide qualified personnel to perform required tests and inspections.
1. Notify Architect and Contractor promptly of irregularities or deficiencies observed in the Work during performance of its services.
 2. Determine the location from which test samples will be taken and in which in-situ tests are conducted.
 3. Conduct and interpret tests and inspections and state in each report whether tested and inspected work complies with or deviates from requirements.
 4. Submit a certified written report, in duplicate, of each test, inspection, and similar quality-control service through Contractor.
 5. Do not release, revoke, alter, or increase the Contract Document requirements or approve or accept any portion of the Work.
 6. Do not perform any duties of Contractor.
- F. Associated Services: Cooperate with agencies performing required tests, inspections, and similar quality-control services, and provide reasonable auxiliary services as requested. Notify agency sufficiently in advance of operations to permit assignment of personnel. Provide the following:

1. Access to the Work.
2. Incidental labor and facilities necessary to facilitate tests and inspections.
3. Adequate quantities of representative samples of materials that require testing and inspecting. Assist agency in obtaining samples.
4. Facilities for storage and field curing of test samples.
5. Delivery of samples to testing agencies.
6. Preliminary design mix proposed for use for material mixes that require control by testing agency.
7. Security and protection for samples and for testing and inspecting equipment at Project site.

G. Coordination: Coordinate sequence of activities to accommodate required quality-assurance and -control services with a minimum of delay and to avoid necessity of removing and replacing construction to accommodate testing and inspecting.

1. Schedule times for tests, inspections, obtaining samples, and similar activities.

H. Schedule of Tests and Inspections: Prepare a schedule of tests, inspections, and similar quality-control services required by the Contract Documents. Submit schedule within 30 days of date established for commencement of the Work.

1. Distribution: Distribute schedule to Owner, Architect testing agencies, and each party involved in performance of portions of the Work where tests and inspections are required.

1.8 SPECIAL TESTS AND INSPECTIONS

A. Special Tests and Inspections: Owner will engage a qualified testing agency to conduct special tests and inspections required by authorities having jurisdiction as the responsibility of Owner.

PART 2 - PRODUCTS (Not Used)

PART 3 - EXECUTION

3.1 TEST AND INSPECTION LOG

A. Prepare a record of tests and inspections. Include the following:

1. Date test or inspection was conducted.
2. Description of the Work tested or inspected.
3. Date test or inspection results were transmitted to Architect.
4. Identification of testing agency or special inspector conducting test or inspection.

B. Maintain log at Project site. Post changes and modifications as they occur. Provide access to test and inspection log for Architect's reference during normal working hours.

3.2 REPAIR AND PROTECTION

- A. General: On completion of testing, inspecting, sample taking, and similar services, repair damaged construction and restore substrates and finishes.
 - 1. Provide materials and comply with installation requirements specified in other Specification Sections or matching existing substrates and finishes. Restore patched areas and extend restoration into adjoining areas with durable seams that are as invisible as possible.
 - 2. Comply with the Contract Document requirements for cutting and patching in Division 01 Section "Execution."
- B. Protect construction exposed by or for quality-control service activities.
- C. Repair and protection are Contractor's responsibility, regardless of the assignment of responsibility for quality-control services.

END OF SECTION 014000

THIS PAGE INTENTIONALLY LEFT BLANK

SECTION 015000 - TEMPORARY FACILITIES AND CONTROLS

PART 1 - GENERAL

1.1 RELATED DOCUMENTS

- A. Drawings and general provisions of the Contract, including General and Supplementary Conditions and other Division 01 Specification Sections, apply to this Section.

1.2 SUMMARY

- A. Section includes requirements for temporary utilities, support facilities, and security and protection facilities.
- B. Related Sections:
 - 1. Division 01 Section "Summary" for work restrictions and limitations on utility interruptions.
 - 2. Division 1 Section "Submittal Procedures" for procedures for submitting copies of implementation and termination schedule and utility reports.
 - 3. Division 1 Section "Execution Requirements" for progress cleaning requirements.
 - 4. Division 31 Section "Dewatering" for disposal of ground water at Project site.
 - 5. Division 32 Section "Concrete Paving" for construction and maintenance of cement concrete pavement for temporary roads and paved areas.

1.3 DEFINITIONS

- A. Permanent Enclosure: As determined by Architect, permanent or temporary roofing is complete, insulated, and weathertight; exterior walls are insulated and weathertight; and all openings are closed with permanent construction or substantial temporary closures.

1.4 USE CHARGES

- A. General: Installation and removal of and use charges for temporary facilities shall be included in the Contract Sum unless otherwise indicated. Allow other entities to use temporary services and facilities without cost, including, but not limited to, Owner's construction forces, Architect, testing agencies, and authorities having jurisdiction.
- B. Sewer Service: Pay sewer service use charges for sewer usage by all entities for construction operations.
- C. Water Service: Pay water service use charges for water used by all entities for construction operations.

- D. Electric Power Service: Pay electric power service use charges for electricity used by all entities for construction operations.

1.5 SUBMITTALS

- A. Site Plan: Show temporary facilities, utility hookups, staging areas, and parking areas for construction personnel.

1.6 QUALITY ASSURANCE

- A. Electric Service: Comply with NECA, NEMA, and UL standards and regulations for temporary electric service. Install service to comply with NFPA 70.
- B. Tests and Inspections: Arrange for authorities having jurisdiction to test and inspect each temporary utility before use. Obtain required certifications and permits.

1.7 PROJECT CONDITIONS

- A. Temporary Use of Permanent Facilities: Engage installer of each permanent service to assume responsibility for operation, maintenance, and protection of each permanent service during its use as a construction facility before Owner's acceptance, regardless of previously assigned responsibilities.

PART 2 - PRODUCTS

2.1 MATERIALS

- A. Pavement: Comply with Division 2 Section "Hot-Mix Asphalt Paving." Section "Cement Concrete Pavement." pavement Sections.
- B. Barriers and Fencing: The Contractor shall provide all temporary barricades and safeguards, together with sufficient lighting during periods when the work is or is not in progress. Such protection shall be subject to the approval of the Architect. However, failure of the Architect to supervise such protection shall in no way relieve the Contractor of his responsibility according to the laws of this State.
- C. Temporary Controls: Provide and maintain all required temporary facilities and traffic control. Maintain all temporary facilities and controls as long as needed for the safe and proper completion of the Work. Remove all such temporary facilities and controls as rapidly as the progress of the Work will permit.

2.2 EQUIPMENT

- A. General: Provide equipment suitable for use intended.

- B. Fire Extinguishers: Portable, UL rated; with class and extinguishing agent as required by locations and classes of fire exposures.
- C. Self –Contained Toilet Units: Single-occupant units of chemical, aerated recirculation, or combustion type; vented; fully enclosed with a glass-fiber-reinforced polyester shell or similar nonabsorbent material.
 - 1. Verify location for temporary facilities with Owner.
- D. Drinking-Water Fixtures: Containerized, tap-dispenser, bottled water units, including paper cup supply.

PART 3 - EXECUTION

3.1 INSTALLATION, GENERAL

- A. Locate facilities where they will serve Project adequately and result in minimum interference with performance of the Work. Relocate and modify facilities as required by progress of the Work.
- B. Provide each facility ready for use when needed to avoid delay. Do not remove until facilities are no longer needed or are replaced by authorized use of completed permanent facilities.

3.2 TEMPORARY UTILITY INSTALLATION

- A. General: Install temporary service or connect to existing service.
 - 1. Arrange with utility company, Owner, and existing users for time when service can be interrupted, if necessary, to make connections for temporary services.
- B. Sewers and Drainage: Provide temporary utilities to remove effluent lawfully.
- C. Water Service: Install water service and distribution piping in sizes and pressures adequate for construction.
- D. Sanitary Facilities: Provide temporary toilets, wash facilities, and drinking water for use of construction personnel. Comply with requirements of authorities having jurisdiction for type, number, location, operation, and maintenance of fixtures and facilities.
- E. Heating and Cooling: Provide temporary heating required by construction activities for curing or drying of completed installations or for protecting installed construction from adverse effects of low temperatures or high humidity. Select equipment that will not have a harmful effect on completed installations or elements being installed.
- F. Electric Power Service: Provide electric power service and distribution system of sufficient size, capacity, and power characteristics required for construction operations.
 - 1. Install electric power service overhead, unless otherwise indicated.

- G. Lighting: Provide temporary lighting with local switching that provides adequate illumination for construction operations, observations, inspections, and traffic conditions.
 - 1. Install and operate temporary lighting that fulfills security and protection requirements without operating entire system.
 - 2. Install lighting for Project identification sign.
- H. Telephone Service: Provide temporary telephone service in common-use facilities for use by all construction personnel.

3.3 SUPPORT FACILITIES INSTALLATION

- A. General: Comply with the following:
 - 1. Provide incombustible construction for offices, shops, and sheds located within construction area or within 30 feet (9 m) of building lines. Comply with NFPA 241.
 - 2. Maintain support facilities until Architect schedules Substantial Completion inspection. Remove before Substantial Completion. Personnel remaining after Substantial Completion will be permitted to use permanent facilities, under conditions acceptable to Owner.
- B. Traffic Controls: Comply with requirements of authorities having jurisdiction.
 - 1. Protect existing site improvements to remain including curbs, pavement, and utilities.
 - 2. Maintain access for fire-fighting equipment.
- C. Parking: Provide temporary parking areas for construction personnel.
- D. Dewatering Facilities and Drains: Comply with requirements of authorities having jurisdiction. Maintain Project site, excavations, and construction free of water.
 - 1. Dispose of rainwater in a lawful manner that will not result in flooding Project or adjoining properties nor endanger permanent Work or temporary facilities.
 - 2. Remove snow and ice as required to minimize accumulations.
- E. Waste Disposal Facilities: Comply with requirements of authorities having jurisdiction. Comply with Division 01 Section "Execution" for progress cleaning requirements.
- F. Waste Disposal Facilities: Provide waste-collection containers in sizes adequate to handle waste from construction operations. Comply with requirements of authorities having jurisdiction. Comply with Division 1 Section "Execution Requirements" for progress cleaning requirements.
- G. Lifts and Hoists: Provide facilities necessary for hoisting materials and personnel.
 - 1. Truck cranes and similar devices used for hoisting materials are considered "tools and equipment" and not temporary facilities

3.4 SECURITY AND PROTECTION FACILITIES INSTALLATION

- A. Environmental Protection: Provide protection, operate temporary facilities, and conduct construction as required to comply with environmental regulations and that minimize possible air, waterway, and subsoil contamination or pollution or other undesirable effects.
 - 1. Comply with work restrictions specified in Division 01 Section "Summary."
- B. Temporary Erosion and Sedimentation Control: Comply with requirements specified in Division 31 Section "Site Clearing."
- C. Temporary Erosion and Sedimentation Control: Provide measures to prevent soil erosion and discharge of soil-bearing water runoff and airborne dust to adjacent properties and walkways, according to requirements of authorities having jurisdiction.
 - 1. Inspect, repair, and maintain erosion- and sedimentation-control measures during construction until permanent vegetation has been established.
- D. Stormwater Control: Comply with requirements of authorities having jurisdiction. Provide barriers in and around excavations and subgrade construction to prevent flooding by runoff of stormwater from heavy rains.
- E. Tree and Plant Protection: Install temporary fencing located as indicated or outside the drip line of trees to protect vegetation from damage from construction operations. Protect tree root systems from damage, flooding, and erosion.
- F. Barricades, Warning Signs, and Lights: Comply with requirements of authorities having jurisdiction for erecting structurally adequate barricades, including warning signs and lighting.
- G. Temporary Fire Protection: Install and maintain temporary fire-protection facilities of types needed to protect against reasonably predictable and controllable fire losses. Comply with NFPA 241.
 - 1. Prohibit smoking in construction areas.
 - 2. Supervise welding operations, combustion-type temporary heating units, and similar sources of fire ignition according to requirements of authorities having jurisdiction.
 - 3. Develop and supervise an overall fire-prevention and -protection program for personnel at Project site. Review needs with local fire department and establish procedures to be followed. Instruct personnel in methods and procedures. Post warnings and information.
 - 4. Provide temporary standpipes and hoses for fire protection. Hang hoses with a warning sign stating that hoses are for fire-protection purposes only and are not to be removed. Match hose size with outlet size and equip with suitable nozzles.

3.5 OPERATION, TERMINATION, AND REMOVAL

- A. Supervision: Enforce strict discipline in use of temporary facilities. To minimize waste and abuse, limit availability of temporary facilities to essential and intended uses.
- B. Maintenance: Maintain facilities in good operating condition until removal.

Bronson Park Mound Landscaping Improvements - Rebid
City of Kalamazoo
Kalamazoo, Michigan

1. Maintain operation of temporary enclosures, heating, cooling, humidity control, ventilation, and similar facilities on a 24-hour basis where required to achieve indicated results and to avoid possibility of damage.
- C. Temporary Facility Changeover: Do not change over from using temporary security and protection facilities to permanent facilities until Substantial Completion.
- D. Termination and Removal: Remove each temporary facility when need for its service has ended, when it has been replaced by authorized use of a permanent facility, or no later than Substantial Completion. Complete or, if necessary, restore permanent construction that may have been delayed because of interference with temporary facility. Repair damaged Work, clean exposed surfaces, and replace construction that cannot be satisfactorily repaired.
1. Materials and facilities that constitute temporary facilities are property of Contractor. Owner reserves right to take possession of Project identification signs.
 2. Remove temporary roads and paved areas not intended for or acceptable for integration into permanent construction. Where area is intended for landscape development, remove soil and aggregate fill that do not comply with requirements for fill or subsoil. Remove materials contaminated with road oil, asphalt and other petrochemical compounds, and other substances that might impair growth of plant materials or lawns. Repair or replace street paving, curbs, and sidewalks at temporary entrances, as required by authorities having jurisdiction.
 3. At Substantial Completion, repair, renovate, and clean permanent facilities used during construction period. Comply with final cleaning requirements specified in Division 01 Section "Closeout Procedures."

END OF SECTION 015000

SECTION 016000 - PRODUCT REQUIREMENTS

PART 1 - GENERAL

1.1 RELATED DOCUMENTS

- A. Drawings and general provisions of the Contract, including General and Supplementary Conditions and other Division 01 Specification Sections, apply to this Section.

1.2 SUMMARY

- A. Section includes administrative and procedural requirements for selection of products for use in Project; product delivery, storage, and handling; manufacturers' standard warranties on products; special warranties; and comparable products.
- B. Related Sections:
 - 1. Division 1 Section "Closeout Procedures" for submitting warranties for Contract closeout.
 - 2. Division 01 Section "References" for applicable industry standards for products specified.

1.3 DEFINITIONS

- A. Products: Items obtained for incorporating into the Work, whether purchased for Project or taken from previously purchased stock. The term "product" includes the terms "material," "equipment," "system," and terms of similar intent.
 - 1. Named Products: Items identified by manufacturer's product name, including make or model number or other designation shown or listed in manufacturer's published product literature, that is current as of date of the Contract Documents.
 - 2. New Products: Items that have not previously been incorporated into another project or facility. Products salvaged or recycled from other projects are not considered new products.
 - 3. Comparable Product: Product that is demonstrated and approved through submittal process to have the indicated qualities related to type, function, dimension, in-service performance, physical properties, appearance, and other characteristics that equal or exceed those of specified product.
- B. Substitutions: Changes in products, materials, equipment, and methods of construction from those required by the Contract Documents and proposed by Contractor.
- C. Basis-of-Design Product Specification: A specification in which a specific manufacturer's product is named and accompanied by the words "basis-of-design product," including make or model number or other designation, to establish the significant qualities related to type, function, dimension, in-service performance, physical properties, appearance, and other

characteristics for purposes of evaluating comparable products of additional manufacturers named in the specification.

1.4 SUBMITTALS

- A. Product List: Submit a list, in tabular form, showing specified products. Include generic names of products required. Include manufacturer's name and proprietary product names for each product.
1. Coordinate product list with Contractor's Construction Schedule and the Submittals Schedule.
 2. Form: Tabulate information for each product under the following column headings:
 - a. Specification Section number and title.
 - b. Generic name used in the Contract Documents.
 - c. Proprietary name, model number, and similar designations.
 - d. Manufacturer's name and address.
 - e. Supplier's name and address.
 - f. Installer's name and address.
 - g. Projected delivery date or time span of delivery period.
 - h. Identification of items that require early submittal approval for scheduled delivery date.
 3. Initial Submittal: Within 10 days after date of commencement of the Work, submit 3 copies of initial product list. Include a written explanation for omissions of data and for variations from Contract requirements.
 - a. At Contractor's option, initial submittal may be limited to product selections and designations that must be established early in Contract period.
 4. Completed List: Within 20 days after date of commencement of the Work, submit 3 copies of completed product list. Include a written explanation for omissions of data and for variations from Contract requirements.
- B. Substitution Requests: Bidders wishing to obtain approval of a product or material other than those specified by name, make or catalog number, shall submit a request for substitution for any manufacturer not named. Architect and Owner reserve the right to reject any substitution requests; "equal" in the manufacturer's or other's eyes does not guarantee the substitutions will be allowed.
1. Instructions to the Bidders specify time for submitting requests for substitutions during the bidding period.
 2. Documentation: Show compliance with requirements for substitutions and the following, as applicable:
 - a. Statement indicating why specified material or product cannot be provided.
 - b. Coordination information, including a list of changes or modifications needed to other parts of the Work and to construction performed by Owner and separate contractors, that will be necessary to accommodate proposed substitution.
 - c. Detailed comparison of significant qualities of proposed substitution with those of the Work specified. Significant qualities may include attributes such as performance, weight, size, durability, visual effect, and specific features and requirements indicated.
 - d. Product Data, including drawings and descriptions of products and fabrication and installation procedures.
 - e. Samples, where applicable or requested.

- f. List of similar installations for completed projects with project names and addresses and names and addresses of architects and owners.
 - g. Material test reports from a qualified testing agency indicating and interpreting test results for compliance with requirements indicated.
 - h. Detailed comparison of Contractor's Construction Schedule using proposed substitution with products specified for the Work, including effect on the overall Contract Time. If specified product or method of construction cannot be provided within the Contract Time, include letter from manufacturer, on manufacturer's letterhead, stating lack of availability or delays in delivery.
 - i. Cost information, including a proposal of change, if any, in the Contract Sum.
 - j. Contractor's certification that proposed substitution complies with requirements in the Contract Documents and is appropriate for applications indicated.
 - k. Contractor's waiver of rights to additional payment or time that may subsequently become necessary because of failure of proposed substitution to produce indicated results.
3. Architect's Action: If necessary, Architect will request additional information or documentation for evaluation within 7 days of receipt of a request for substitution. Architect will notify Contractor of acceptance or rejection of proposed substitution within 10 days of receipt of request, or 5 days of receipt of additional information or documentation, whichever is later.

1.5 QUALITY ASSURANCE

- A. Compatibility of Options: If Contractor is given option of selecting between two or more products for use on Project, select product compatible with products previously selected, even if previously selected products were also options.
1. Each contractor is responsible for providing products and construction methods compatible with products and construction methods of other contractors.
 2. If a dispute arises between contractors over concurrently selectable but incompatible products, Architect will determine which products shall be used.

1.6 PRODUCT DELIVERY, STORAGE, AND HANDLING

- A. Deliver, store, and handle products using means and methods that will prevent damage, deterioration, and loss, including theft and vandalism. Comply with manufacturer's written instructions.
- B. Delivery and Handling:
1. Schedule delivery to minimize long-term storage at Project site and to prevent overcrowding of construction spaces.
 2. Coordinate delivery with installation time to ensure minimum holding time for items that are flammable, hazardous, easily damaged, or sensitive to deterioration, theft, and other losses.
 3. Deliver products to Project site in an undamaged condition in manufacturer's original sealed container or other packaging system, complete with labels and instructions for handling, storing, unpacking, protecting, and installing.

4. Inspect products on delivery to determine compliance with the Contract Documents and to determine that products are undamaged and properly protected.

C. Storage:

1. Store products to allow for inspection and measurement of quantity or counting of units.
2. Store materials in a manner that will not endanger Project structure.
3. Store products that are subject to damage by the elements, under cover in a weathertight enclosure above ground, with ventilation adequate to prevent condensation.
4. Store foam plastic from exposure to sunlight, except to extent necessary for period of installation and concealment.
5. Comply with product manufacturer's written instructions for temperature, humidity, ventilation, and weather-protection requirements for storage.
6. Protect stored products from damage and liquids from freezing.
7. Provide a secure location and enclosure at Project site for storage of materials and equipment by Owner's construction forces. Coordinate location with Owner.

1.7 PRODUCT WARRANTIES

- A. Warranties specified in other Sections shall be in addition to, and run concurrent with, other warranties required by the Contract Documents. Manufacturer's disclaimers and limitations on product warranties do not relieve Contractor of obligations under requirements of the Contract Documents.

1. Manufacturer's Warranty: Written warranty furnished by individual manufacturer for a particular product and specifically endorsed by manufacturer to Owner.
2. Special Warranty: Written warranty required by the Contract Documents to provide specific rights for Owner.

- B. Submittal Time: Comply with requirements in Division 01 Section "Closeout Procedures."

PART 2 - PRODUCTS

2.1 PRODUCT SELECTION PROCEDURES

- A. General Product Requirements: Provide products that comply with the Contract Documents, are undamaged and, unless otherwise indicated, are new at time of installation.

1. Provide products complete with accessories, trim, finish, fasteners, and other items needed for a complete installation and indicated use and effect.
2. Standard Products: If available, and unless custom products or nonstandard options are specified, provide standard products of types that have been produced and used successfully in similar situations on other projects.
3. Owner reserves the right to limit selection to products with warranties not in conflict with requirements of the Contract Documents.
4. Where products are accompanied by the term "as selected," Architect will make selection.

5. Where products are accompanied by the term "match sample," sample to be matched is Architect's.
6. Descriptive, performance, and reference standard requirements in the Specifications establish salient characteristics of products.
7. Or Equal: For products specified by name and accompanied by the term "or equal," or "or approved equal," or "or approved," comply with requirements in "Comparable Products" Article to obtain approval for use of an unnamed product.

B. Product Selection Procedures:

1. Product: Where Specifications name a single product and manufacturer, provide the named product that complies with requirements.
2. Manufacturer/Source: Where Specifications name a single manufacturer or source, provide a product by the named manufacturer or source that complies with requirements.
3. Products: Where Specifications include a list of names of both products and manufacturers, provide one of the products listed that complies with requirements.
4. Manufacturers: Where Specifications include a list of manufacturers' names, provide a product by one of the manufacturers listed that complies with requirements.
5. Available Products: Where Specifications include a list of names of both products and manufacturers, provide one of the products listed, or an unnamed product, that complies with requirements. Comply with provisions in Part 2 "Comparable Products" Article for consideration of an unnamed product.
6. Available Manufacturers: Where Specifications include a list of manufacturers, provide a product by one of the manufacturers listed, or an unnamed manufacturer, that complies with requirements. Comply with provisions in Part 2 "Comparable Products" Article for consideration of an unnamed product.
7. Product Options: Where Specifications indicate that sizes, profiles, and dimensional requirements on Drawings are based on a specific product or system, provide the specified product or system. Comply with provisions in Part 2 "Product Substitutions" Article for consideration of an unnamed product or system.
8. Basis-of-Design Product: Where Specifications name a product and include a list of manufacturers, provide the specified product or a comparable product by one of the other named manufacturers. Drawings and Specifications indicate sizes, profiles, dimensions, and other characteristics that are based on the product named. Comply with provisions in Part 2 "Comparable Products" Article for consideration of an unnamed product by the other named manufacturers.
9. Visual Matching Specification: Where Specifications require matching an established Sample, select a product that complies with requirements and matches Architect's sample. Architect's decision will be final on whether a proposed product matches.
 - a. If no product available within specified category matches and complies with other specified requirements, comply with provisions in Part 2 "Product Substitutions" Article for proposal of product.
10. Visual Selection Specification: Where Specifications include the phrase "as selected from manufacturer's colors, patterns, textures" or a similar phrase, select a product that complies with other specified requirements.
 - a. Standard Range: Where Specifications include the phrase "standard range of colors, patterns, textures" or similar phrase, Architect will select color, pattern, density, or texture from manufacturer's product line that does not include premium items.
 - b. Full Range: Where Specifications include the phrase "full range of colors, patterns, textures" or similar phrase, Architect will select color, pattern, density, or

texture from manufacturer's product line that includes both standard and premium items.

2.2 COMPARABLE PRODUCTS

A. Conditions for Consideration: Architect will consider Contractor's request for comparable product when the following conditions are satisfied. If the following conditions are not satisfied, Architect may return requests without action, except to record noncompliance with these requirements:

1. Evidence that the proposed product does not require revisions to the Contract Documents, that it is consistent with the Contract Documents and will produce the indicated results, and that it is compatible with other portions of the Work.
2. Detailed comparison of significant qualities of proposed product with those named in the Specifications. Significant qualities include attributes such as performance, weight, size, durability, visual effect, and specific features and requirements indicated.
3. Evidence that proposed product provides specified warranty.
4. List of similar installations for completed projects with project names and addresses and names and addresses of architects and owners, if requested.
5. Samples, if requested.

PART 3 - EXECUTION (Not Used)

END OF SECTION 016000

SECTION 017300 - EXECUTION

PART 1 - GENERAL

1.1 RELATED DOCUMENTS

- A. Drawings and general provisions of the Contract, including General and Supplementary Conditions and other Division 01 Specification Sections, apply to this Section.

1.2 SUMMARY

- A. Section includes general administrative and procedural requirements governing execution of the Work including, but not limited to, the following:

1. Construction layout.
2. Field engineering and surveying.
3. Installation of the Work.
4. Cutting and patching.
5. Coordination of Owner-installed products.
6. Progress cleaning.
7. Starting and adjusting.
8. Protection of installed construction.
9. Correction of the Work.

- B. Related Sections:

1. Division 01 Section "Submittal Procedures" for submitting surveys.
2. Division 01 Section "Closeout Procedures" for submitting final property survey with Project Record Documents, recording of Owner-accepted deviations from indicated lines and levels, and final cleaning.

1.3 DEFINITIONS

- A. Cutting: Removal of in-place construction necessary to permit installation or performance of other work.
- B. Patching: Fitting and repair work required to restore construction to original conditions after installation of other work.

1.4 INFORMATIONAL SUBMITTALS

- A. Qualification Data: For land surveyor.
- B. Certificates: Submit certificate signed by land surveyor certifying that location and elevation of improvements comply with requirements.

- C. Cutting and Patching Plan: Submit plan describing procedures at least 10 days prior to the time cutting and patching will be performed. Include the following information:
1. Extent: Describe reason for and extent of each occurrence of cutting and patching.
 2. Changes to In-Place Construction: Describe anticipated results. Include changes to structural elements and operating components as well as changes in building appearance and other significant visual elements.
 3. Products: List products to be used for patching and firms or entities that will perform patching work.
 4. Dates: Indicate when cutting and patching will be performed.
 5. Utilities and Mechanical and Electrical Systems: List services and systems that cutting and patching procedures will disturb or affect. List services and systems that will be relocated and those that will be temporarily out of service. Indicate how long services and systems will be disrupted.
- D. Landfill Receipts: Submit copy of receipts issued by a landfill facility, licensed to accept hazardous materials, for hazardous waste disposal.

1.5 QUALITY ASSURANCE

- A. Land Surveyor Qualifications: A professional land surveyor who is legally qualified to practice in jurisdiction where Project is located and who is experienced in providing land-surveying services of the kind indicated.
- B. Cutting and Patching: Comply with requirements for and limitations on cutting and patching of construction elements.
1. Structural Elements: When cutting and patching structural elements, notify Architect of locations and details of cutting and await directions from the Architect before proceeding. Shore, brace, and support structural element during cutting and patching. Do not cut and patch structural elements in a manner that could change their load-carrying capacity or increase deflection
 2. Operational Elements: Do not cut and patch operating elements and related components in a manner that results in reducing their capacity to perform as intended or that results in increased maintenance or decreased operational life or safety. Operational elements include the following:
 - a. Electrical wiring systems.
 3. Other Construction Elements: Do not cut and patch other construction elements or components in a manner that could change their load-carrying capacity, that results in reducing their capacity to perform as intended, or that results in increased maintenance or decreased operational life or safety.
 4. Visual Elements: Do not cut and patch construction in a manner that results in visual evidence of cutting and patching. Do not cut and patch exposed construction in a manner that would, in Architect's opinion, reduce the building's aesthetic qualities. Remove and replace construction that has been cut and patched in a visually unsatisfactory manner.

- C. Cutting and Patching Conference: Before proceeding, meet at Project site with parties involved in cutting and patching, including mechanical and electrical trades. Review areas of potential interference and conflict. Coordinate procedures and resolve potential conflicts before proceeding.
- D. Manufacturer's Installation Instructions: Obtain and maintain on-site manufacturer's written recommendations and instructions for installation of products and equipment.

1.6 WARRANTY

- A. Existing Warranties: Remove, replace, patch, and repair materials and surfaces cut or damaged during installation or cutting and patching operations, by methods and with materials so as not to void existing warranties.

PART 2 - PRODUCTS

2.1 MATERIALS

- A. General: Comply with requirements specified in other Sections.
 - 1. For projects requiring compliance with sustainable design and construction practices and procedures, utilize products for patching that comply with requirements of Division 01 Section "Sustainable Design Requirements."
- B. In-Place Materials: Use materials for patching identical to in-place materials. For exposed surfaces, use materials that visually match in-place adjacent surfaces to the fullest extent possible.
 - 1. If identical materials are unavailable or cannot be used, use materials that, when installed, will provide a match acceptable to the Architect for the visual and functional performance of in-place materials.

PART 3 - EXECUTION

3.1 EXAMINATION

- A. Existing Conditions: The existence and location of underground and other utilities and construction indicated as existing are not guaranteed. Before beginning sitework, investigate and verify the existence and location of underground utilities, mechanical and electrical systems, and other construction affecting the Work.
 - 1. Before construction, verify the location and invert elevation at points of connection of sanitary sewer, storm sewer, and water-service piping; underground electrical services, and other utilities.

2. Furnish location data for work related to Project that must be performed by public utilities serving Project site.
- B. Examination and Acceptance of Conditions: Before proceeding with each component of the Work, examine substrates, areas, and conditions, with Installer or Applicator present where indicated, for compliance with requirements for installation tolerances and other conditions affecting performance. Record observations.
1. Written Report: Where a written report listing conditions detrimental to performance of the Work is required by other Sections, include the following:
 - a. Description of the Work.
 - b. List of detrimental conditions, including substrates.
 - c. List of unacceptable installation tolerances.
 - d. Recommended corrections.
 2. Verify compatibility with and suitability of substrates, including compatibility with existing finishes or primers.
 3. Examine roughing-in for mechanical and electrical systems to verify actual locations of connections before equipment and fixture installation.
 4. Proceed with installation only after unsatisfactory conditions have been corrected. Proceeding with the Work indicates acceptance of surfaces and conditions.

3.2 PREPARATION

- A. Existing Utility Information: Furnish information to Owner that is necessary to adjust, move, or relocate existing utility structures, utility poles, lines, services, or other utility appurtenances located in or affected by construction. Coordinate with authorities having jurisdiction.
- B. Field Measurements: Take field measurements as required to fit the Work properly. Recheck measurements before installing each product. Where portions of the Work are indicated to fit to other construction, verify dimensions of other construction by field measurements before fabrication. Coordinate fabrication schedule with construction progress to avoid delaying the Work.
- C. Space Requirements: Verify space requirements and dimensions of items shown diagrammatically on Drawings.
- D. Review of Contract Documents and Field Conditions: Immediately on discovery of the need for clarification of the Contract Documents caused by differing field conditions outside the control of the Contractor, submit a request for information to Architect according to requirements in Division 01 Section "Project Management and Coordination."

3.3 CONSTRUCTION LAYOUT

- A. Verification: Before proceeding to lay out the Work, verify layout information shown on Drawings, in relation to the property survey and existing benchmarks. If discrepancies are discovered, notify Architect promptly.

- B. General: Engage a land surveyor to lay out the Work using accepted surveying practices.
 - 1. Establish benchmarks and control points to set lines and levels at each story of construction and elsewhere as needed to locate each element of Project.
 - 2. Establish dimensions within tolerances indicated. Do not scale Drawings to obtain required dimensions.
 - 3. Inform installers of lines and levels to which they must comply.
 - 4. Check the location, level and plumb, of every major element as the Work progresses.
 - 5. Notify Architect when deviations from required lines and levels exceed allowable tolerances.
 - 6. Close site surveys with an error of closure equal to or less than the standard established by authorities having jurisdiction.
- C. Site Improvements: Locate and lay out site improvements, including pavements, grading, fill and topsoil placement, utility slopes, and rim and invert elevations.
- D. Record Log: Maintain a log of layout control work. Record deviations from required lines and levels. Include beginning and ending dates and times of surveys, weather conditions, name and duty of each survey party member, and types of instruments and tapes used. Make the log available for reference by Architect.

3.4 FIELD ENGINEERING

- A. Identification: Owner will identify existing benchmarks, control points, and property corners.
- B. Reference Points: Locate existing permanent benchmarks, control points, and similar reference points before beginning the Work. Preserve and protect permanent benchmarks and control points during construction operations.
 - 1. Do not change or relocate existing benchmarks or control points without prior written approval of Architect. Report lost or destroyed permanent benchmarks or control points promptly. Report the need to relocate permanent benchmarks or control points to Architect before proceeding.
 - 2. Replace lost or destroyed permanent benchmarks and control points promptly. Base replacements on the original survey control points.
- C. Benchmarks: Establish and maintain a minimum of two permanent benchmarks on Project site, referenced to data established by survey control points. Comply with authorities having jurisdiction for type and size of benchmark.
 - 1. Record benchmark locations, with horizontal and vertical data, on Project Record Documents.
 - 2. Where the actual location or elevation of layout points cannot be marked, provide temporary reference points sufficient to locate the Work.
 - 3. Remove temporary reference points when no longer needed. Restore marked construction to its original condition.

- D. Certified Survey: On completion of foundation walls, major site improvements, and other work requiring field-engineering services, prepare a certified survey showing dimensions, locations, angles, and elevations of construction and sitework.

3.5 INSTALLATION

- A. General: Locate the Work and components of the Work accurately, in correct alignment and elevation, as indicated.
 - 1. Make vertical work plumb and make horizontal work level.
 - 2. Where space is limited, install components to maximize space available for maintenance and ease of removal for replacement.
- B. Comply with manufacturer's written instructions and recommendations for installing products in applications indicated.
- C. Install products at the time and under conditions that will ensure the best possible results. Maintain conditions required for product performance until Substantial Completion.
- D. Conduct construction operations so no part of the Work is subjected to damaging operations or loading in excess of that expected during normal conditions of occupancy.
- E. Tools and Equipment: Do not use tools or equipment that produce harmful noise levels.
- F. Templates: Obtain and distribute to the parties involved templates for work specified to be factory prepared and field installed. Check Shop Drawings of other work to confirm that adequate provisions are made for locating and installing products to comply with indicated requirements.
- G. Attachment: Provide blocking and attachment plates and anchors and fasteners of adequate size and number to securely anchor each component in place, accurately located and aligned with other portions of the Work. Where size and type of attachments are not indicated, verify size and type required for load conditions.
 - 1. Mounting Heights: Where mounting heights are not indicated, mount components at heights directed by Architect.
 - 2. Allow for building movement, including thermal expansion and contraction. installation of anchorages. Furnish setting drawings, templates, and directions for installing anchorages, including sleeves, concrete inserts, anchor bolts, and items with integral anchors, that are to be embedded in concrete or masonry. Deliver such items to Project site in time for installation.
- H. Joints: Make joints of uniform width. Where joint locations in exposed work are not indicated, arrange joints for the best visual effect. Fit exposed connections together to form hairline joints.
- I. Hazardous Materials: Use products, cleaners, and installation materials that are not considered hazardous.

3.6 CUTTING AND PATCHING

- A. Cutting and Patching, General: Employ skilled workers to perform cutting and patching. Proceed with cutting and patching at the earliest feasible time, and complete without delay.
 - 1. Cut in-place construction to provide for installation of other components or performance of other construction, and subsequently patch as required to restore surfaces to their original condition.
- B. Temporary Support: Provide temporary support of work to be cut.
- C. Protection: Protect in-place construction during cutting and patching to prevent damage. Provide protection from adverse weather conditions for portions of Project that might be exposed during cutting and patching operations.
- D. Adjacent Occupied Areas: Where interference with use of adjoining areas or interruption of free passage to adjoining areas is unavoidable, coordinate cutting and patching in accordance with requirements of Division 01 Section "Summary."
- E. Existing Utility Services and Mechanical/Electrical Systems: Where existing services/systems are required to be removed, relocated, or abandoned, bypass such services/systems before cutting to prevent interruption to occupied areas.
- F. Cutting: Cut in-place construction by sawing, drilling, breaking, chipping, grinding, and similar operations, including excavation, using methods least likely to damage elements retained or adjoining construction. If possible, review proposed procedures with original Installer; comply with original Installer's written recommendations.
 - 1. In general, use hand or small power tools designed for sawing and grinding, not hammering and chopping. Cut holes and slots neatly to minimum size required, and with minimum disturbance of adjacent surfaces. Temporarily cover openings when not in use.
 - 2. Finished Surfaces: Cut or drill from the exposed or finished side into concealed surfaces.
 - 3. Concrete: Cut using a cutting machine, such as an abrasive saw or a diamond-core drill.
 - 4. Excavating and Backfilling: Comply with requirements in applicable Division 31 Sections where required by cutting and patching operations.
 - 5. Mechanical and Electrical Services: Cut off pipe or conduit in walls or partitions to be removed. Cap, valve, or plug and seal remaining portion of pipe or conduit to prevent entrance of moisture or other foreign matter after cutting.
 - 6. Proceed with patching after construction operations requiring cutting are complete.
- G. Patching: Patch construction by filling, repairing, refinishing, closing up, and similar operations following performance of other work. Patch with durable seams that are as invisible as practicable. Provide materials and comply with installation requirements specified in other Sections, where applicable.
 - 1. Inspection: Where feasible, test and inspect patched areas after completion to demonstrate physical integrity of installation.
 - 2. Exposed Finishes: Restore exposed finishes of patched areas and extend finish restoration into retained adjoining construction in a manner that will minimize evidence of patching and refinishing.

- a. Clean piping, conduit, and similar features before applying paint or other finishing materials.
 - b. Restore damaged pipe covering to its original condition.
- H. Cleaning: Clean areas and spaces where cutting and patching are performed. Remove paint, mortar, oils, putty, and similar materials from adjacent finished surfaces.

3.7 OWNER-INSTALLED PRODUCTS

- A. Site Access: Provide access to Project site for Owner's construction personnel.
- B. Coordination: Coordinate construction and operations of the Work with work performed by Owner's construction personnel.
 - 1. Construction Schedule: Inform Owner of Contractor's preferred construction schedule for Owner's portion of the Work. Adjust construction schedule based on a mutually agreeable timetable. Notify Owner if changes to schedule are required due to differences in actual construction progress.
 - 2. Preinstallation Conferences: Include Owner's construction personnel at preinstallation conferences covering portions of the Work that are to receive Owner's work. Attend preinstallation conferences conducted by Owner's construction personnel if portions of the Work depend on Owner's construction.

3.8 PROGRESS CLEANING

- A. General: Clean Project site and work areas daily, including common areas. Enforce requirements strictly. Dispose of materials lawfully.
 - 1. Comply with requirements in NFPA 241 for removal of combustible waste materials and debris.
 - 2. Do not hold waste materials more than seven days during normal weather or three days if the temperature is expected to rise above 80 deg F (27 deg C).
 - 3. Containerize hazardous and unsanitary waste materials separately from other waste. Mark containers appropriately and dispose of legally, according to regulations.
 - a. Utilize containers intended for holding waste materials of type to be stored.
 - 4. Coordinate progress cleaning for joint-use areas where more than one installer has worked.
- B. Site: Maintain Project site free of waste materials and debris.
- C. Work Areas: Clean areas where work is in progress to the level of cleanliness necessary for proper execution of the Work.
 - 1. Remove liquid spills promptly.
 - 2. Where dust would impair proper execution of the Work, broom-clean or vacuum the entire work area, as appropriate.

- D. **Installed Work:** Keep installed work clean. Clean installed surfaces according to written instructions of manufacturer or fabricator of product installed, using only cleaning materials specifically recommended. If specific cleaning materials are not recommended, use cleaning materials that are not hazardous to health or property and that will not damage exposed surfaces.
- E. **Concealed Spaces:** Remove debris from concealed spaces before enclosing the space.
- F. **Exposed Surfaces in Finished Areas:** Clean exposed surfaces and protect as necessary to ensure freedom from damage and deterioration at time of Substantial Completion.
- G. **Waste Disposal:** Do not bury or burn waste materials on-site. Do not wash waste materials down sewers or into waterways. Comply with waste disposal requirements in Division 01 Section "Temporary Facilities and Controls."
- H. **During handling and installation,** clean and protect construction in progress and adjoining materials already in place. Apply protective covering where required to ensure protection from damage or deterioration at Substantial Completion.
- I. **Clean and provide maintenance on completed construction** as frequently as necessary through the remainder of the construction period. Adjust and lubricate operable components to ensure operability without damaging effects.
- J. **Limiting Exposures:** Supervise construction operations to assure that no part of the construction, completed or in progress, is subject to harmful, dangerous, damaging, or otherwise deleterious exposure during the construction period.

3.9 STARTING AND ADJUSTING

- A. **Coordinate startup and adjusting of equipment and operating components** with requirements in Division 01 Section "General Commissioning Requirements."
- B. **Start equipment and operating components** to confirm proper operation. Remove malfunctioning units, replace with new units, and retest.
- C. **Adjust equipment for proper operation.** Adjust operating components for proper operation without binding.
- D. **Test each piece of equipment to verify proper operation.** Test and adjust controls and safeties. Replace damaged and malfunctioning controls and equipment.
- E. **Manufacturer's Field Service:** Comply with qualification requirements in Division 01 Section "Quality Requirements."

3.10 PROTECTION OF INSTALLED CONSTRUCTION

- A. **Provide final protection and maintain conditions that ensure installed Work** is without damage or deterioration at time of Substantial Completion.

- B. Comply with manufacturer's written instructions for temperature and relative humidity.

3.11 CORRECTION OF THE WORK

- A. Repair or remove and replace defective construction. Restore damaged substrates and finishes.
 - 1. Repairing includes replacing defective parts, refinishing damaged surfaces, touching up with matching materials, and properly adjusting operating equipment.
- B. Restore permanent facilities used during construction to their specified condition.
- C. Remove and replace damaged surfaces that are exposed to view if surfaces cannot be repaired without visible evidence of repair.
- D. Repair components that do not operate properly. Remove and replace operating components that cannot be repaired.
- E. Remove and replace chipped, scratched, and broken glass or reflective surfaces.

END OF SECTION 017300

SECTION 017700 - CLOSEOUT PROCEDURES

PART 1 - GENERAL

1.1 RELATED DOCUMENTS

- A. Drawings and general provisions of the Contract, including General and Supplementary Conditions and other Division 01 Specification Sections, apply to this Section.

1.2 SUMMARY

- A. Section includes administrative and procedural requirements for contract closeout, including, but not limited to, the following:
 - 1. Inspection procedures.
 - 2. Warranties.
 - 3. Final cleaning.
- B. Related Sections:
 - 1. Division 01 Section "Execution" for progress cleaning of Project site.
 - 2. Division 1 Section "Payment Procedures" for requirements for Applications for Payment for Substantial and Final Completion.
 - 3. Division 01 Section "Operation and Maintenance Data" for operation and maintenance manual requirements.
 - 4. Division 01 Section "Project Record Documents" for submitting Record Drawings, Record Specifications, and Record Product Data.
 - 5. Divisions 02 through 49 Sections for specific closeout and special cleaning requirements for the Work in those Sections.

1.3 SUBSTANTIAL COMPLETION

- A. Preliminary Procedures: Before requesting inspection for determining date of Substantial Completion, complete the following. List items below that are incomplete with request.
 - 1. Prepare a list of items to be completed and corrected (punch list), the value of items on the list, and reasons why the Work is not complete.
 - 2. Advise Owner of pending insurance changeover requirements.
 - 3. Submit specific warranties, workmanship bonds, maintenance service agreements, final certifications, and similar documents.
 - 4. Obtain and submit releases permitting Owner unrestricted use of the Work and access to services and utilities. Include occupancy permits, operating certificates, and similar releases.
 - 5. Prepare and submit Project Record Documents, operation and maintenance manuals, final completion construction photographic documentation, damage or settlement surveys, property surveys, and similar final record information.

6. Deliver tools, spare parts, extra materials, and similar items to location designated by Owner. Label with manufacturer's name and model number where applicable.
7. Make final changeover of permanent locks and deliver keys to Owner. Advise Owner's personnel of changeover in security provisions.
8. Complete startup testing of systems.
9. Submit test/adjust/balance records.
10. Terminate and remove temporary facilities from Project site, along with mockups, construction tools, and similar elements.
11. Advise Owner of changeover in heat and other utilities.
12. Submit changeover information related to Owner's occupancy, use, operation, and maintenance.
13. Complete final cleaning requirements, including touchup painting.
14. Touch up and otherwise repair and restore marred exposed finishes to eliminate visual defects.

B. Inspection: Submit a written request for inspection for Substantial Completion. On receipt of request, Architect will either proceed with inspection or notify Contractor of unfulfilled requirements. Architect will prepare the Certificate of Substantial Completion after inspection or will notify Contractor of items, either on Contractor's list or additional items identified by Architect, that must be completed or corrected before certificate will be issued.

1. Reinspection: Request reinspection when the Work identified in previous inspections as incomplete is completed or corrected.
2. Results of completed inspection will form the basis of requirements for Final Completion.

1.4 FINAL COMPLETION

A. Preliminary Procedures: Before requesting final inspection for determining final completion, complete the following:

1. Submit a final Application for Payment according to Division 01 Section "Payment Procedures."
2. Submit certified copy of Architect's Substantial Completion inspection list of items to be completed or corrected (punch list), endorsed and dated by Architect. The certified copy of the list shall state that each item has been completed or otherwise resolved for acceptance.
3. Submit evidence of final, continuing insurance coverage complying with insurance requirements.
4. Submit pest-control final inspection report and warranty.
5. Instruct Owner's personnel in operation, adjustment, and maintenance of products, equipment, and systems.

B. Inspection: Submit a written request for final inspection for acceptance. On receipt of request, Architect will either proceed with inspection or notify Contractor of unfulfilled requirements. Architect will prepare a final Certificate for Payment after inspection or will notify Contractor of construction that must be completed or corrected before certificate will be issued.

1. Reinspection: Request reinspection when the Work identified in previous inspections as incomplete is completed or corrected.

1.5 LIST OF INCOMPLETE ITEMS (PUNCH LIST)

- A. Organization of List: Include name and identification of each space and area affected by construction operations for incomplete items and items needing correction including, if necessary, areas disturbed by Contractor that are outside the limits of construction.
 1. Organize list of spaces in sequential order, starting with exterior areas first.
 2. Include the following information at the top of each page:
 - a. Project name.
 - b. Date.
 - c. Name of Architect.
 - d. Name of Contractor.
 - e. Page number.

1.6 WARRANTIES

- A. Submittal Time: Submit written warranties on request of Architect for designated portions of the Work where commencement of warranties other than date of Substantial Completion is indicated.
- B. Partial Occupancy: Submit properly executed warranties within 15 days of completion of designated portions of the Work that are completed and occupied or used by Owner during construction period by separate agreement with Contractor.
- C. Organize warranty documents into an orderly sequence based on the table of contents of the Project Manual.
 1. Bind warranties and bonds in heavy-duty, three-ring, vinyl-covered, loose-leaf binders, thickness as necessary to accommodate contents, and sized to receive 8-1/2-by-11-inch (215-by-280-mm) paper.
 2. Provide heavy paper dividers with plastic-covered tabs for each separate warranty. Mark tab to identify the product or installation. Provide a typed description of the product or installation, including the name of the product and the name, address, and telephone number of Installer.
 3. Identify each binder on the front and spine with the typed or printed title "WARRANTIES," Project name, and name of Contractor.
 4. Scan warranties and bonds and assemble complete warranty and bond submittal package into a single indexed electronic PDF file with links enabling navigation to each item. Provide table of contents at beginning of document.
- D. Provide additional copies of each warranty to include in operation and maintenance manuals.

PART 2 - PRODUCTS

2.1 MATERIALS

- A. Cleaning Agents: Use cleaning materials and agents recommended by manufacturer or fabricator of the surface to be cleaned. Do not use cleaning agents that are potentially hazardous to health or property or that might damage finished surfaces.

PART 3 - EXECUTION

3.1 FINAL CLEANING

- A. General: Perform final cleaning. Conduct cleaning and waste-removal operations to comply with local laws and ordinances and Federal and local environmental and antipollution regulations.
- B. Cleaning: Employ experienced workers or professional cleaners for final cleaning. Clean each surface or unit to condition expected in an average commercial building cleaning and maintenance program. Comply with manufacturer's written instructions.
 - 1. Complete the following cleaning operations before requesting inspection for certification of Substantial Completion for entire Project or for a portion of Project:
 - a. Clean Project site, yard, and grounds, in areas disturbed by construction activities, including landscape development areas, of rubbish, waste material, litter, and other foreign substances.
 - b. Sweep paved areas broom clean. Remove petrochemical spills, stains, and other foreign deposits.
 - c. Rake grounds that are neither planted nor paved to a smooth, even-textured surface.
 - d. Remove tools, construction equipment, machinery, and surplus material from Project site.
 - e. Remove snow and ice to provide safe access to building.
 - f. Clean exposed exterior hard-surfaced finishes to a dirt-free condition, free of stains, films, and similar foreign substances. Avoid disturbing natural weathering of exterior surfaces. Restore reflective surfaces to their original condition.
 - g. Remove labels that are not permanent.
 - h. Touch up and otherwise repair and restore marred, exposed finishes and surfaces. Replace finishes and surfaces that cannot be satisfactorily repaired or restored or that already show evidence of repair or restoration.
 - 1) Do not paint over "UL" and other required labels and identification, including mechanical and electrical nameplates.
 - i. Wipe surfaces of mechanical and electrical equipment and similar equipment. Remove excess lubrication, paint and mortar droppings, and other foreign substances.

Bronson Park Mound Improvements Improvements - Rebid
City of Kalamazoo
Kalamazoo, Michigan

- j. Replace parts subject to operating conditions during construction that may impede operation or reduce longevity.
 - k. Leave Project clean and ready for occupancy.
- C. Comply with safety standards for cleaning. Do not burn waste materials. Do not bury debris or excess materials on Owner's property. Do not discharge volatile, harmful, or dangerous materials into drainage systems. Remove waste materials from Project site and dispose of lawfully.

END OF SECTION 017700

THIS PAGE INTENTIONALLY LEFT BLANK

SECTION 017839 - PROJECT RECORD DOCUMENTS

PART 1 - GENERAL

1.1 RELATED DOCUMENTS

- A. Drawings and general provisions of the Contract, including General and Supplementary Conditions and other Division 01 Specification Sections, apply to this Section.

1.2 SUMMARY

- A. Section includes administrative and procedural requirements for project record documents, including the following:
 - 1. Record Drawings.
 - 2. Record Specifications.
 - 3. Record Product Data.
- B. Related Sections:
 - 1. Division 01 Section "Closeout Procedures" for general closeout procedures.
 - 2. Divisions 02 through 49 Sections for specific requirements for project record documents of the Work in those Sections.

1.3 CLOSEOUT SUBMITTALS

- A. Record Drawings: Comply with the following:
 - 1. Number of Copies: Submit copies of record Drawings as follows:
 - a. Initial Submittal: Submit one set(s) of plots from corrected Record CAD Drawings and one set(s) of marked-up Record Prints. Architect will initial and date each plot and mark whether general scope of changes, additional information recorded, and quality of drafting are acceptable. Architect will return plots and prints for organizing into sets, printing, binding, and final submittal.
 - b. Final Submittal: Submit three set(s) of marked-up Record Prints, print each Drawing, whether or not changes and additional information were recorded.
- B. Record Product Data: Submit one paper copy of each Product Data submittal.
 - 1. Where Record Product Data is required as part of operation and maintenance manuals, submit marked-up Product Data as an insert in manual instead of submittal as Record Product Data.

PART 2 - PRODUCTS

2.1 RECORD DRAWINGS

- A. Record Prints: Maintain one set of marked-up paper copies of the Contract Drawings and Shop Drawings.
1. Preparation: Mark record prints to show the actual installation where installation varies from that shown originally. Require individual or entity who obtained record data, whether individual or entity is Installer, subcontractor, or similar entity, to provide information for preparation of corresponding marked-up record prints.
 - a. Give particular attention to information on concealed elements that would be difficult to identify or measure and record later.
 - b. Accurately record information in an acceptable drawing technique.
 - c. Record data as soon as possible after obtaining it.
 - d. Record and check the markup before enclosing concealed installations.
 2. Content: Types of items requiring marking include, but are not limited to, the following:
 - a. Dimensional changes to Drawings.
 - b. Revisions to details shown on Drawings.
 - c. Locations and depths of underground utilities.
 - d. Revisions to routing of piping and conduits.
 - e. Revisions to electrical circuitry.
 - f. Actual equipment locations.
 - g. Locations of concealed internal utilities.
 - h. Changes made by Change Order or Construction Change Directive.
 - i. Changes made following Architect's written orders.
 - j. Details not on the original Contract Drawings.
 - k. Field records for variable and concealed conditions.
 - l. Record information on the Work that is shown only schematically.
 3. Mark the Contract Drawings or Shop Drawings, whichever is most capable of showing actual physical conditions, completely and accurately. If Shop Drawings are marked, show cross-reference on the Contract Drawings.
 4. Mark record sets with erasable, red-colored pencil. Use other colors to distinguish between changes for different categories of the Work at same location.
 5. Mark important additional information that was either shown schematically or omitted from original Drawings.
 6. Note Construction Change Directive numbers, alternate numbers, Change Order numbers, and similar identification, where applicable.
- B. Format: Identify and date each record Drawing; include the designation "PROJECT RECORD DRAWING" in a prominent location.
1. Record Prints: Organize record prints and newly prepared record Drawings into manageable sets. Bind each set with durable paper cover sheets. Include identification on cover sheets.

2. Identification: As follows:
 - a. Project name.
 - b. Date.
 - c. Designation "PROJECT RECORD DRAWINGS."
 - d. Name of Architect.
 - e. Name of Contractor.

2.2 RECORD SPECIFICATIONS

- A. Preparation: Mark Specifications to indicate the actual product installation where installation varies from that indicated in Specifications, addenda, and contract modifications.
 1. Give particular attention to information on concealed products and installations that cannot be readily identified and recorded later.
 2. Mark copy with the proprietary name and model number of products, materials, and equipment furnished, including substitutions and product options selected.
 3. Record the name of manufacturer, supplier, Installer, and other information necessary to provide a record of selections made.
 4. For each principal product, indicate whether record Product Data has been submitted in operation and maintenance manuals instead of submitted as record Product Data.
 5. Note related Change Orders, record Product Data, and record Drawings where applicable.

2.3 RECORD PRODUCT DATA

- A. Preparation: Mark Product Data to indicate the actual product installation where installation varies substantially from that indicated in Product Data submittal.
 1. Give particular attention to information on concealed products and installations that cannot be readily identified and recorded later.
 2. Include significant changes in the product delivered to Project site and changes in manufacturer's written instructions for installation.
 3. Note related Change Orders, record Specifications, and record Drawings where applicable.

2.4 MISCELLANEOUS RECORD SUBMITTALS

- A. Assemble miscellaneous records required by other Specification Sections for miscellaneous record keeping and submittal in connection with actual performance of the Work. Bind or file miscellaneous records and identify each, ready for continued use and reference.

PART 3 - EXECUTION

3.1 RECORDING AND MAINTENANCE

- A. Recording: Maintain one copy of each submittal during the construction period for project record document purposes. Post changes and modifications to project record documents as they occur; do not wait until the end of Project.
- B. Maintenance of Record Documents and Samples: Store record documents and Samples in the field office apart from the Contract Documents used for construction. Do not use project record documents for construction purposes. Maintain record documents in good order and in a clean, dry, legible condition, protected from deterioration and loss. Provide access to project record documents for Architect's reference during normal working hours.

END OF SECTION 017839

SECTION 101426 - POST AND PANEL SIGNAGE

PART 1 - GENERAL

1.1 RELATED DOCUMENTS

- A. Drawings and general provisions of the Contract, including General and Supplementary Conditions and Division 01 Specification Sections, apply to this Section.

1.2 SUMMARY

- A. This Section includes the following:
 - 1. Non-illuminated post and panel signs.
- B. Related Sections include the following:
 - 1. Division 01 Section "Temporary Facilities and Controls" for temporary Project identification signs and for temporary informational and directional signs.
 - 2. Division 03 Section "Cast-in-Place Concrete" for concrete foundations and concrete fill.

1.3 PERFORMANCE REQUIREMENTS

- A. Design Criteria: Design, fabricate, and install exterior post and panel signs to withstand a wind velocity of 100 mph (160 km/h) on the total sign area, in all directions.

1.4 SUBMITTALS

- A. Product Data: For each type of post and panel sign specified. Include details of construction relative to materials, dimensions of individual components, profiles, and finishes.
 - 1. Provide manufacturer's written instructions for maintaining and cleaning sign surfaces.
- B. Shop Drawings: For each type of sign indicated.
 - 1. Provide plans, elevations, and at least 3/4-inch (1:20) scale sections of typical members and other components. Show anchors, reinforcement, accessories, layout, and installation details.
- C. Samples: Manufacturer's color charts consisting of actual units or sections of units showing the full range of colors available for the following:
 - 1. Aluminum: 4-inch- (100-mm-) long sections of extrusions and 2-inch (50-mm) squares of sheet or plate.

1.5 QUALITY ASSURANCE

- A. Installer Qualifications: Engage an experienced installer who is an authorized representative of the sign manufacturer and who has completed installation of post and panel signs similar in material, design, and extent to that indicated for this Project and with a record of successful in-service performance.
- B. Source Limitations for Signs: Obtain each sign type indicated from one source from a single manufacturer.
- C. Product Options: Drawings indicate size, profiles, and dimensional requirements of post and panel signs and are based on the specific type and model indicated. Other manufacturers' signs may be considered provided deviations are minor and do not change the design concept and are approved by the Architect.
 - 1. Do not modify intended aesthetic effects, as judged solely by the Architect, except with Architect's approval and only to the extent needed to comply with performance requirements. Where modifications are proposed, submit comprehensive explanatory data to Architect for review.

1.6 DELIVERY AND HANDLING

- A. Delivery: Provide protective covering or crating as recommended by the manufacturer to protect sign components and surfaces against damage during transportation and delivery.
 - 1. Coordinate delivery time so signs can be installed within 24 hours of receipt at Project site.
- B. Handle signs carefully to prevent breakage, surface abrasion, denting, soiling, and other defects. Comply with the manufacturer's written handling instructions for unloading components subject to damage.
 - 1. Inspect sign components for damage on delivery.
 - 2. Do not install damaged sign components.
 - 3. Repair minor damage to signs, provided the finished repair is equal in all respects to the original work and is approved by Architect; otherwise, remove and replace damaged sign components.

1.7 WARRANTY

- A. General Warranty: The special warranty specified in this Article shall not deprive the Owner of other rights the Owner may have under other provisions of the Contract Documents and shall be in addition to, and run concurrent with, other warranties made by the Contractor under requirements of the Contract Documents.
- B. Interpretive signs must be warranted for a period of 10 years against chipping and delaminating and for five years against fading.

PART 2 - PRODUCTS

2.1 MATERIALS

- A. Interpretive Signs: Aluminum exhibit frames to support fiberglass exhibit panels in as follows:
1. Double pedestal low profile style aluminum exhibit frames, 32 inches high with surface mounting. Finish to be an epoxy primer followed by a polyurethane acrylic enamel topcoat. Owner to select color from manufacturer's standard range of colors.
 2. Owner will provide text and images for sign panel graphics. Contractor responsible for coordination of layout of sign panels to meet Owner's approvals prior to sign construction.
 3. Approved Manufacturers: Subject to compliance with requirements, manufacturers whose products may be incorporated into the Work include, but are not limited to, the following:
 - a. Pannier Graphics, Gibsonia, PA 15044-9805, (800) 544-8428.
 - 1) Model: Traditional T-Style for surface mounting.
 - 2) Base: Low Profile Exhibit Base: F-LP-36X24.
 - b. GS Images, 355 South Potomac Street, P.O. Box 1288, Hagerstown, MD 21741-1288, (800) 223-6920.

2.2 ACCESSORIES

- A. Fasteners: Use concealed fasteners fabricated from metals that are noncorrosive to sign material and mounting surface.
- B. Anchors and Inserts: Use nonferrous metal or hot-dip galvanized anchors and inserts. Use stainless steel for drilled-in-place anchors. Furnish inserts, as required, to be set into concrete.

2.3 FABRICATION

- A. General: Provide manufacturer's standard post and panel signs of configurations indicated.
1. Welded Connections: Comply with AWS standards for recommended practices in shop welding. Provide welds behind finished surfaces without distortion or discoloration of exposed side. Clean exposed welded surfaces of welding flux and dress exposed and contact surfaces.
 2. Allow for thermal movement resulting from a maximum ambient temperature change (range) of 100 deg F (38 deg C). Design, fabricate, and install post and panel sign assemblies to prevent buckling, opening up of joints, and overstressing of welds and fasteners.
 - a. Base design on actual surface temperatures of metals due to both solar heat gain and nighttime-sky heat loss
 3. Mill joints to tight, hairline fit. Form joints exposed to weather to exclude water penetration.

4. Preassemble signs in the shop to greatest extent possible. Disassemble signs only as necessary for shipping and handling limitations. Clearly mark units for reassembly and installation, in location not exposed to view after final assembly.
5. Conceal fasteners if possible; otherwise, locate fasteners where they will be inconspicuous.

B. Posts: Fabricate posts to lengths required for mounting method indicated: surface mount.

2.4 FINISHES, GENERAL

- A. Comply with NAAMM's "Metal Finishes Manual for Architectural and Metal Products" for recommendations for applying and designating finishes.
- B. Finish designations prefixed by AA conform to the system established by the Aluminum Association for designating aluminum finishes.
- C. Class I, Color Anodic Finish: AA-M21C22A42/A44 (Mechanical Finish: nonspecular as fabricated; Chemical Finish: etched, medium matte; Anodic Coating: Architectural Class I, integrally colored or electrolytically deposited color coating 0.018 mm or thicker) complying with AAMA 606.1 or AAMA 608.1.
 1. Color: As selected by Architect from the full range of industry colors and color densities.
- D. Colors and Textures: For exposed sign material that requires selection of materials with integral or applied colors, textures, or other characteristics related to appearance, provide color matches as selected by Architect from manufacturer's standards.
- E. Protect mechanical finishes on exposed surfaces from damage by applying a strippable, temporary protective covering before shipping.
- F. Appearance of Finished Work: Variations in appearance of abutting or adjacent pieces are acceptable if they are within one-half of the range of approved Samples. Noticeable variations in the same piece are not acceptable. Variations in appearance of other components are acceptable if they are within the range of approved Samples and are assembled or installed to minimize contrast.

PART 3 - EXECUTION

3.1 PREPARATION

- A. Furnish templates, anchor bolts, internal reinforcement, and other items required to be set in concrete post foundations at proper time for setting.

3.2 INSTALLATION

- A. General: Locate sign units and accessories where indicated, using mounting methods of type described and complying with manufacturer's written instructions.
- B. Use anchors as indicated on drawings. Use templates, setting drawings, diagrams, instructions, and directions provided by suppliers of items to be attached.
- C. Install signs level, plumb, and at height indicated, with surfaces free from distortion or other defects in appearance.

3.3 CLEANING AND PROTECTION

- A. After installation, clean soiled sign surfaces according to manufacturer's written instructions. Protect signs from damage until acceptance by Owner.
- B. Protect installed sign units from damage until acceptance by Owner.

END OF SECTION 101426

THIS PAGE INTENTIONALLY LEFT BLANK

SECTION 311000 - SITE CLEARING

PART 1 - GENERAL

1.1 RELATED DOCUMENTS

- A. Drawings and general provisions of the Contract, including General and Supplementary Conditions and Division 01 Specification Sections, apply to this Section.

1.2 SUMMARY

- A. Section Includes:

1. Protecting existing vegetation to remain.
2. Removing existing vegetation.
3. Clearing and grubbing.
4. Removing above- and below-grade site improvements.
5. Temporary erosion- and sedimentation-control measures.

- B. Related Sections:

1. Division 01 Section "Temporary Facilities and Controls" for temporary utility services, construction and support facilities, security and protection facilities, and temporary erosion- and sedimentation-control measures.
2. Division 01 Section "Execution" for field engineering and surveying.

1.3 DEFINITIONS

- A. Subsoil: All soil beneath the topsoil layer of the soil profile, and typified by the lack of organic matter and soil organisms.
- B. Surface Soil: Soil that is present at the top layer of the existing soil profile at the Project site. In undisturbed areas, the surface soil is typically topsoil; but in disturbed areas such as urban environments, the surface soil can be subsoil.
- C. Topsoil: Top layer of the soil profile consisting of existing native surface topsoil or existing in-place surface soil and is the zone where plant roots grow.
- D. Topsoil: Top layer of the soil profile consisting of existing native surface topsoil or existing in-place surface soil and is the zone where plant roots grow. Its appearance is generally friable, pervious, and black or a darker shade of brown, gray, or red than underlying subsoil; reasonably free of subsoil, clay lumps, gravel, and other objects more than 2 inches (50 mm) in diameter; and free of subsoil and weeds, roots, toxic materials, or other nonsoil materials.
- E. Plant-Protection Zone: Area surrounding individual trees, groups of trees, shrubs, or other vegetation to be protected during construction, and indicated on Drawings.

- F. Tree-Protection Zone: Area surrounding individual trees or groups of trees to be protected during construction, and defined by a circle concentric with each tree with a radius 1.5 times the diameter of the drip line unless otherwise indicated.
- G. Vegetation: Trees, shrubs, groundcovers, grass, and other plants.

1.4 MATERIAL OWNERSHIP

- A. Except for stripped topsoil and other materials indicated to be stockpiled or otherwise remain Owner's property, cleared materials shall become Contractor's property and shall be removed from Project site.

1.5 SUBMITTALS

- A. Existing Conditions: Documentation of existing trees and plantings, adjoining construction, and site improvements that establishes preconstruction conditions that might be misconstrued as damage caused by site clearing.
 - 1. Include plans and notations to indicate specific wounds and damage conditions of each tree or other plants designated to remain.

1.6 QUALITY ASSURANCE

- A. Preinstallation Conference: Conduct conference at Project site.

1.7 PROJECT CONDITIONS

- A. Traffic: Minimize interference with adjoining roads, streets, walks, and other adjacent occupied or used facilities during site-clearing operations.
 - 1. Do not close or obstruct streets, walks, or other adjacent occupied or used facilities without permission from Owner and authorities having jurisdiction.
 - 2. Provide alternate routes around closed or obstructed traffic ways if required by Owner or authorities having jurisdiction.
- B. Improvements on Adjoining Property: Authority for performing site clearing indicated on property adjoining Owner's property will be obtained by Owner before award of Contract.
 - 1. Do not proceed with work on adjoining property until directed by Architect.
- C. Salvable Improvements: Carefully remove items indicated to be salvaged and store on Owner's premises where indicated.
- D. Utility Locator Service: Notify utility locator service for area where Project is located before site clearing.
- E. Do not commence site clearing operations until temporary erosion- and sedimentation-control and plant-protection measures are in place.

- F. The following practices are prohibited within protection zones:
1. Storage of construction materials, debris, or excavated material.
 2. Parking vehicles or equipment.
 3. Foot traffic.
 4. Erection of sheds or structures.
 5. Impoundment of water.
 6. Excavation or other digging unless otherwise indicated.
 7. Attachment of signs to or wrapping materials around trees or plants unless otherwise indicated.
- G. Do not direct vehicle or equipment exhaust towards protection zones.
- H. Prohibit heat sources, flames, ignition sources, and smoking within or near protection zones.
- I. Soil Stripping, Handling, and Stockpiling: Perform only when the topsoil is dry or slightly moist.
- J. **Absolutely no construction activities allowed on or around the existing mound except for what is shown on Sheets C2.0 and L1.0. Any de-sodding work on the mound or excavation work for the irrigation system must have a Tribal Monitor present at ALL times.**

PART 2 - PRODUCTS

2.1 MATERIALS

- A. Satisfactory Soil Material: Requirements for satisfactory soil material are specified in Division 31 Section "Earth Moving."
1. Obtain approved borrow soil material off-site when satisfactory soil material is not available on-site.

PART 3 - EXECUTION

3.1 PREPARATION

- A. Protect and maintain benchmarks and survey control points from disturbance during construction.
- B. Locate and clearly identify trees, shrubs, and other vegetation to remain or to be relocated. Flag each tree trunk at 54 inches (1372 mm) above the ground.
- C. Protect existing site improvements to remain from damage during construction.
1. Restore damaged improvements to their original condition, as acceptable to Owner.

2. No construction activities allowed on or around the existing mound except for what is shown on Sheets C2.0 and L1.0. Any desodding work on the mound or excavation work for the irrigation system must have a Tribal Monitor present at all times.

3.2 TEMPORARY EROSION AND SEDIMENTATION CONTROL

- A. Provide temporary erosion- and sedimentation-control measures to prevent soil erosion and discharge of soil-bearing water runoff or airborne dust to adjacent properties and walkways, according to erosion- and sedimentation-control Drawings and requirements of authorities having jurisdiction.
- B. Verify that flows of water redirected from construction areas or generated by construction activity do not enter or cross protection zones.
- C. Inspect, maintain, and repair erosion- and sedimentation-control measures during construction until permanent vegetation has been established.
- D. Remove erosion and sedimentation controls and restore and stabilize areas disturbed during removal.

3.3 TREE AND PLANT PROTECTION

- A. Repair or replace trees, shrubs, and other vegetation indicated to remain or be relocated that are damaged by construction operations, in a manner approved by Architect.

3.4 EXISTING UTILITIES

- A. Owner will arrange for disconnecting and sealing indicated utilities that serve existing structures before site clearing, when requested by Contractor.
 1. Verify that utilities have been disconnected and capped before proceeding with site clearing.
- B. Locate, identify, disconnect, and seal or cap utilities indicated to be removed or abandoned in place.
 1. Arrange with utility companies to shut off indicated utilities.
 2. Owner will arrange to shut off indicated utilities when requested by Contractor.
- C. Locate, identify, and disconnect utilities indicated to be abandoned in place.
- D. Interrupting Existing Utilities: Do not interrupt utilities serving facilities occupied by Owner or others unless permitted under the following conditions and then only after arranging to provide temporary utility services according to requirements indicated:
 1. Notify Architect not less than two days in advance of proposed utility interruptions.
 2. Do not proceed with utility interruptions without Architect's written permission.
- E. Excavate for and remove underground utilities indicated to be removed.

- F. Removal of underground utilities is included in Division 22, Division 23, Division 26, and Division 33 Sections.

3.5 CLEARING AND GRUBBING

- A. Remove lawn sod vegetation to permit installation of new construction.
 - 1. Do not remove trees, shrubs, and other vegetation indicated to remain.
 - 2. Use only hand methods for grubbing within protection zones.
- B. Fill depressions caused by clearing and grubbing operations with satisfactory soil material unless further excavation or earthwork is indicated.
 - 1. Place fill material in horizontal layers not exceeding a loose depth of 8 inches (200 mm), and compact each layer to a density equal to adjacent original ground.
- C. **Absolutely no construction activities allowed on or around the existing mound except for what is shown on Sheets C2.0 and L1.0. Any de-sodding work on the mound or excavation work for the irrigation system must have a Tribal Monitor present at ALL times.**

3.6 SITE IMPROVEMENTS

- A. Salvage above-grade improvements as indicated and necessary to facilitate new construction. Store in protected area where items will avoid damage.
- B. Remove existing above- and below-grade improvements as indicated and necessary to facilitate new construction.

3.7 DISPOSAL OF SURPLUS AND WASTE MATERIALS

- A. Remove surplus soil material, unsuitable topsoil, obstructions, demolished materials, and waste materials including trash and debris, and legally dispose of them off Owner's property.
- B. Separate recyclable materials produced during site clearing from other nonrecyclable materials. Store or stockpile without intermixing with other materials and transport them to recycling facilities. Do not interfere with other Project work.

END OF SECTION 311000

THIS PAGE INTENTIONALLY LEFT BLANK

SECTION 312000 - EARTH MOVING

PART 1 - GENERAL

1.1 RELATED DOCUMENTS

- A. Drawings and general provisions of the Contract, including General and Supplementary Conditions and Division 01 Specification Sections, apply to this Section.

1.2 SUMMARY

- A. Section Includes:

- 1. Preparing subgrades for walks, turf and grasses, and plants.
- 2. Subbase course for concrete walks and pavements.

- B. Related Sections:

- 1. Division 01 Section "Temporary Facilities and Controls" for temporary controls, utilities, and support facilities; also for temporary site fencing if not in another Section.
- 2. Division 31 Section "Site Clearing" for grubbing and removal of above- and below-grade improvements and utilities.
- 3. Division 32 Section "Turf and Grasses" for finish grading in turf and grass areas, including preparing and placing planting soil for turf areas.
- 4. Division 32 Section "Plants" for finish grading in planting areas and planting.

1.3 DEFINITIONS

- A. Backfill: Soil material or controlled low-strength material used to fill an excavation.
 - 1. Initial Backfill: Backfill placed beside and over pipe in a trench, including haunches to support sides of pipe.
 - 2. Final Backfill: Backfill placed over initial backfill to fill a trench.
- B. Base Course: Aggregate layer placed between the subbase course and hot-mix asphalt paving.
- C. Bedding Course: Aggregate layer placed over the excavated subgrade in a trench before laying pipe.
- D. Borrow Soil: Satisfactory soil imported from off-site for use as fill or backfill.
- E. Drainage Course: Aggregate layer supporting the slab-on-grade that also minimizes upward capillary flow of pore water.

- F. Excavation: Removal of material encountered above subgrade elevations and to lines and dimensions indicated. **Any excavations in this project must have a Tribal Monitor present at all times.**
1. Authorized Additional Excavation: Excavation below subgrade elevations or beyond indicated lines and dimensions as directed by Architect. Authorized additional excavation and replacement material will be paid for according to Contract provisions for changes in the Work.
 2. Unauthorized Excavation: Excavation below subgrade elevations or beyond indicated lines and dimensions without direction by Architect. Unauthorized excavation, as well as remedial work directed by Architect, shall be without additional compensation.
- G. Fill: Soil materials used to raise existing grades.
- H. Structures: Buildings, footings, foundations, retaining walls, slabs, tanks, curbs, mechanical and electrical appurtenances, or other man-made stationary features constructed above or below the ground surface.
- I. Subbase Course: Aggregate layer placed between the subgrade and base course for hot-mix asphalt pavement, or aggregate layer placed between the subgrade and a cement concrete pavement or a cement concrete or hot-mix asphalt walk.
- J. Subgrade: Uppermost surface of an excavation or the top surface of a fill or backfill immediately below subbase, drainage fill, drainage course, or topsoil materials.
- K. Utilities: On-site underground pipes, conduits, ducts, and cables, as well as underground services within buildings.

1.4 SUBMITTALS

- A. Material Test Reports: From a qualified testing agency indicating and interpreting test results for compliance of the following with requirements indicated:
1. Classification according to ASTM D 2487 of each on-site and borrow soil material proposed for fill and backfill.
 2. Laboratory compaction curve according to ASTM D 1557 for each on-site and borrow soil material proposed for fill and backfill.

1.5 QUALITY ASSURANCE

- A. The Owner has supplied a survey of the project area that describes physical characteristics of the site. The information and data shown or indicated in the construction documents with respect to existing underground facilities at or contiguous to the site is based on information and data furnished by the owners of such underground facilities or by others. Unless otherwise provided by the Contract Documents.:
1. Owner and Architect shall be responsible for the accuracy or completeness of any such information or data.

2. Contractor shall have full responsibility for reviewing and checking all such information and data; for locating all underground facilities shown or indicated in the Contract Documents; for coordination of the Work with the owners of such underground facilities during construction; for the safety, protection and repairing of any damage thereto resulting from the Work, the cost of which will be considered as having been included in the Contract Price.

B. Erosion Control: Erosion shall be controlled as described on Drawings and required by City of Kalamazoo, the State of Michigan or other authorities having jurisdiction. Erosion control devices referenced on the plans are based on the *Standard Erosion Control Handbook* published by MDOT.

C. Preexcavation Conference: Conduct conference at Project site.

1.6 PROJECT CONDITIONS

A. Existing Conditions: Do not interrupt utilities serving facilities occupied by the Owner or others unless permitted in writing by Architect and then only after arranging to provide temporary utility services according to requirements indicated.

1. Notify Architect not less than two days in advance of proposed utility interruptions.
2. Do not proceed with utility interruptions without Architect's written permission.
3. Contact utility-locator service for area where Project is located before excavating.

B. Demolish and completely remove from site existing underground utilities indicated to be removed. Coordinate with utility companies to shut off services if lines are active.

PART 2 - PRODUCTS

2.1 SOIL MATERIALS

A. General: Provide borrow soil materials when sufficient satisfactory soil materials are not available from excavations.

B. Satisfactory Soils: Soil Classification Groups GW, GP, GM, SW, SP, and SM according to ASTM D 2487 or a combination of these groups; free of rock or gravel larger than 3 inches (75 mm) in any dimension, debris, waste, frozen materials, vegetation, and other deleterious matter.

C. Unsatisfactory Soils: Soil Classification Groups GC, SC, CL, ML, OL, CH, MH, OH, and PT according to ASTM D 2487, or a combination of these groups.

1. Unsatisfactory soils also include satisfactory soils not maintained within 2 percent of optimum moisture content at time of compaction.

D. Subbase Material: Material complying with the requirements of MDOT Class II sand.

E. Base Course: Material complying with the requirements of MDOT 21AA.

- F. Engineered Fill: Material complying with the requirements of MDOT Class II sand.
- G. Bedding Course: Naturally or artificially graded mixture of natural or crushed gravel, crushed stone, and natural or crushed sand; ASTM D 2940; except with 100 percent passing a 1-inch (25-mm) sieve and not more than 8 percent passing a No. 200 (0.075-mm) sieve.
- H. Drainage Course: Narrowly graded mixture of crushed stone, or crushed or uncrushed gravel; ASTM D 448; coarse-aggregate grading Size 57; with 100 percent passing a 1-1/2-inch (37.5-mm) sieve and 0 to 5 percent passing a No. 8 (2.36-mm) sieve.
- I. Filter Material: Narrowly graded mixture of natural or crushed gravel, or crushed stone and natural sand; ASTM D 448; coarse-aggregate grading Size 67; with 100 percent passing a 1-inch (25-mm) sieve and 0 to 5 percent passing a No. 4 (4.75-mm) sieve.
- J. Sand: ASTM C 33; fine aggregate.
- K. Impervious Fill: Clayey gravel and sand mixture capable of compacting to a dense state.

2.2 GEOTEXTILES

- A. Subsurface Drainage Geotextile: Nonwoven needle-punched geotextile, manufactured for subsurface drainage applications, made from polyolefins or polyesters; with elongation greater than 50 percent; complying with AASHTO M 288 and the following, measured per test methods referenced:
 - 1. Survivability: Class 2; AASHTO M 288.
 - 2. Grab Tensile Strength: 157 lbf (700 N); ASTM D 4632.
 - 3. Sewn Seam Strength: 142 lbf (630 N); ASTM D 4632.
 - 4. Tear Strength: 56 lbf (250 N); ASTM D 4533.
 - 5. Puncture Strength: 56 lbf (250 N); ASTM D 4833.
 - 6. Apparent Opening Size: No. 40 (0.425-mm) sieve, maximum; ASTM D 4751.
 - 7. Permittivity: 0.5 per second, minimum; ASTM D 4491.
 - 8. UV Stability: 50 percent after 500 hours' exposure; ASTM D 4355.

2.3 RELATED MATERIALS

- A. Silt Fence: EcoloFence 24/11 or approved substitute.

PART 3 - EXECUTION

3.1 PREPARATION

- A. Protect structures, utilities, sidewalks, pavements, and other facilities from damage caused by settlement, lateral movement, undermining, washout, and other hazards created by earth moving operations.

- B. Preparation of subgrade for earthwork operations including removal of vegetation, topsoil, debris, obstructions, and deleterious materials from ground surface is specified in Division 31 Section "Site Clearing".
- C. Protect and maintain erosion and sedimentation controls during earth moving operations.
- D. Protect subgrades and foundation soils from freezing temperatures and frost. Remove temporary protection before placing subsequent materials.

3.2 DEWATERING

- A. Prevent surface water and ground water from entering excavations, from ponding on prepared subgrades, and from flooding Project site and surrounding area.
- B. Protect subgrades from softening, undermining, washout, and damage by rain or water accumulation.
 - 1. Reroute surface water runoff away from excavated areas. Do not allow water to accumulate in excavations. Do not use excavated trenches as temporary drainage ditches.

3.3 EXPLOSIVES

- A. Explosives: Do not use explosives.

3.4 EXCAVATION, GENERAL

- A. Unclassified Excavation: Excavate to subgrade elevations regardless of the character of surface and subsurface conditions encountered. Unclassified excavated materials may include rock, soil materials, and obstructions. No changes in the Contract Sum or the Contract Time will be authorized for rock excavation or removal of obstructions.
- B. **Absolutely no construction activities allowed on or around the existing mound except for what is shown on Sheets C2.0 and L1.0. Any de-sodding work on the mound or excavation work for the irrigation system must have a Tribal Monitor present at ALL times.**

3.5 EXCAVATION FOR WALKS AND PAVEMENTS

- A. Excavate surfaces under walks and pavements to indicated lines, cross sections, elevations, and subgrades.

3.6 SUBGRADE INSPECTION

- A. Notify Architect when excavations have reached required subgrade.
- B. If Architect determines that unsatisfactory soil is present, continue excavation and replace with compacted backfill or fill material as directed.

1. Additional excavation and replacement material will be paid for according to Contract provisions for Change in Work.
- C. Authorized additional excavation and replacement material will be paid for according to Contract provisions for changes in the Work.
- D. Reconstruct subgrades damaged by freezing temperatures, frost, rain, accumulated water, or construction activities, as directed by Architect, without additional compensation.
- E. **Absolutely no construction activities allowed on or around the existing mound except for what is shown on Sheets C2.0 and L1.0. Any de-sodding work on the mound or excavation work for the irrigation system must have a Tribal Monitor present at ALL times.**

3.7 UNAUTHORIZED EXCAVATION

- A. Fill unauthorized excavation under foundations or wall footings by extending bottom elevation of concrete foundation or footing to excavation bottom, without altering top elevation. Lean concrete fill, with 28-day compressive strength of 2500 psi (17.2 MPa), may be used when approved by Architect.
 1. Fill unauthorized excavations under other construction, pipe, or conduit as directed by Architect.
- B. **Absolutely no construction activities allowed on or around the existing mound except for what is shown on Sheets C2.0 and L1.0. Any de-sodding work on the mound or excavation work for the irrigation system must have a Tribal Monitor present at ALL times.**

3.8 STORAGE OF SOIL MATERIALS

- A. Stockpile borrow soil materials. Place, grade, and shape stockpiles to drain surface water. Cover to prevent windblown dust.
 1. Stockpile soil materials away from edge of mound or areas of interest identified on the Drawings.. Do not store within drip line of remaining trees.

3.9 BACKFILL

- A. Place and compact backfill in excavations promptly, but not before completing the following:
 1. Surveying locations of underground utilities for Record Documents.
 2. Removing trash and debris.
- B. Place backfill on subgrades free of mud, frost, snow, or ice.

3.10 SOIL FILL

- A. Plow, scarify, bench, or break up sloped surfaces steeper than 1 vertical to 4 horizontal so fill material will bond with existing material.

B. Place and compact fill material in layers to required elevations as follows:

1. Under grass and planted areas, use satisfactory soil material.
2. Under walks, use satisfactory soil material.
3. Under footings, use engineered fill.

C. Place soil fill on subgrades free of mud, frost, snow, or ice.

3.11 SOIL MOISTURE CONTROL

A. Uniformly moisten or aerate subgrade and each subsequent fill or backfill soil layer before compaction to within 2 percent of optimum moisture content.

1. Do not place backfill or fill soil material on surfaces that are muddy, frozen, or contain frost or ice.
2. Remove and replace, or scarify and air dry, otherwise satisfactory soil material that exceeds optimum moisture content by 2 percent and is too wet to compact to specified dry unit weight.

3.12 COMPACTION OF SOIL BACKFILLS AND FILLS

A. Place backfill and fill soil materials in layers not more than 8 inches (200 mm) in loose depth for material compacted by heavy compaction equipment, and not more than 4 inches (100 mm) in loose depth for material compacted by hand-operated tampers.

B. Place backfill and fill soil materials evenly on all sides of walks to required elevations, and uniformly along the full length of each walk.

C. Compact soil materials to not less than the following percentages of maximum dry unit weight according to ASTM D 1557:

1. Under walkways, scarify and recompact top 6 inches (150 mm) below subgrade and compact each layer of backfill or fill soil material at 92 percent..

3.13 GRADING

A. General: Uniformly grade areas to a smooth surface, free of irregular surface changes. Comply with compaction requirements and grade to cross sections, lines, and elevations indicated.

1. Provide a smooth transition between adjacent existing grades and new grades.
2. Cut out soft spots, fill low spots, and trim high spots to comply with required surface tolerances.

B. Site Rough Grading: Slope grades to direct water away from walks and to prevent ponding. Finish subgrades to required elevations within the following tolerances:

1. Walks: Plus or minus 1 inch (25 mm)

3.14 SUBBASE COURSE

- A. Place subbase course and base course on subgrades free of mud, frost, snow, or ice.
- B. On prepared subgrade, place subbase course under walks as follows:
 - 1. Place subbase course that exceeds 6 inches (150 mm) in compacted thickness in layers of equal thickness, with no compacted layer more than 6 inches (150 mm) thick or less than 3 inches (75 mm) thick.
 - 2. Compact subbase course at optimum moisture content to required grades, lines, cross sections, and thickness to not less than 95 percent of maximum dry unit weight according to ASTM D 1557

3.15 FIELD QUALITY CONTROL

- A. Testing Agency: Owner will engage a qualified geotechnical engineering testing agency to perform tests and inspections.
- B. Allow testing agency to inspect and test subgrades and each fill or backfill layer. Proceed with subsequent earth moving only after test results for previously completed work comply with requirements.
- C. Footing Subgrade: At footing subgrades, at least one test of each soil stratum will be performed to verify design bearing capacities. Subsequent verification and approval of other footing subgrades may be based on a visual comparison of subgrade with tested subgrade when approved by Architect.
- D. Testing agency will test compaction of soils in place according to ASTM D 1556, ASTM D 2167, ASTM D 2922, and ASTM D 2937, as applicable. Tests will be performed at the following locations and frequencies:
 - 1. Paved Areas: At subgrade and at each compacted fill and backfill layer, at least one test for every 2000 sq. ft. (186 sq. m) or less of paved area or building slab, but in no case fewer than three tests.
 - 2. Trench Backfill: At each compacted initial and final backfill layer, at least one test for every 150 feet (46 m) or less of trench length, but no fewer than two tests.
- E. When testing agency reports that subgrades, fills, or backfills have not achieved degree of compaction specified, scarify and moisten or aerate, or remove and replace soil materials to depth required; recompact and retest until specified compaction is obtained.

3.16 PROTECTION

- A. Repair and reestablish grades to specified tolerances where completed or partially completed surfaces become eroded, rutted, settled, or where they lose compaction due to subsequent construction operations or weather conditions.
 - 1. Scarify or remove and replace soil material to depth as directed by Architect; reshape and recompact.

- B. Where settling occurs before Project correction period elapses, remove finished surfacing, backfill with additional soil material, compact, and reconstruct surfacing.
 - 1. Restore appearance, quality, and condition of finished surfacing to match adjacent work, and eliminate evidence of restoration to greatest extent possible.

3.17 DISPOSAL OF SURPLUS AND WASTE MATERIALS

- A. Remove surplus satisfactory soil and waste materials, including unsatisfactory soil, trash, and debris, and legally dispose of them off Owner's property.

END OF SECTION 312000

THIS PAGE INTENTIONALLY LEFT BLANK

SECTION 328400 – PLANTING IRRIGATION

PART 1 - GENERAL

1.1 RELATED DOCUMENTS

- A. Drawings and general provisions of the Contract, including General and Supplementary Conditions and other Division 01 Specification Sections, apply to this Section.

1.2 SUMMARY

- A. This Section includes piping, valves, sprinklers, specialties, controls, and wiring for automatic-control irrigation system.
- B. Absolutely no construction activities allowed on or around the existing mound except for what is shown on Sheets C2.0 and L1.0. Any de-sodding work on the mound or excavation work for the irrigation system must have a Tribal Monitor present at ALL times.**

1.3 DEFINITIONS

- A. Circuit Piping: Downstream from control valves to sprinklers, specialties, and drain valves. Piping is under pressure during flow.
- B. Drain Piping: Downstream from circuit-piping drain valves. Piping is not under pressure.
- C. Irrigation Main Piping: Downstream from point of connection to water distribution piping to, and including, control valves. Piping is under water-distribution-system pressure.
- D. The following are industry abbreviations for plastic materials:
 - 1. ABS: Acrylonitrile-butadiene-styrene plastic.
 - 2. PE: Polyethylene plastic.
 - 3. PVC: Polyvinyl chloride plastic.

1.4 PERFORMANCE REQUIREMENTS

- A. Design 100 percent water-coverage irrigation system for lawns and exterior plants indicated.
- B. Minimum Working Pressures: The following are minimum pressure requirements for piping, valves, and specialties, unless otherwise indicated:
 - 1. Irrigation Main Piping: 160 psi (PVC).
 - 2. Circuit Piping: 160 psi (PVC) and 100 psi (Polyethylene).
 - 3. Drain Piping: 100 psig (690 kPa).
- C. Circuit Piping: Use the following materials for each size range:
 - 1. 160 PSI PVC pipe for sizes 1-1/2" and larger with Schedule 40 socket fittings.
 - 2. 100 PSI Polyethylene pipe for sizes 1-1/4" and smaller with insert fittings.

1.5 SUBMITTALS

- A. Product Data: Include pressure ratings, rated capacities, and settings of selected models for the following:
 - 1. Water regulators.
 - 2. Water hammer arresters.
 - 3. General-duty valves.

4. Specialty valves.
 5. Control-valve boxes.
 6. Sprinklers.
 7. Irrigation specialties.
 8. Controllers. Include wiring diagrams.
 9. Backflow preventer equipment pad
 10. Backflow preventer enclosure
- B. Shop Drawings: Show irrigation system piping, including plan layout, and locations, types, sizes, capacities, and flow characteristics of irrigation system piping components. Include water meters, backflow preventers, valves, piping, sprinklers and devices, accessories, controls, and wiring. Show areas of sprinkler spray and overspray. Show wire size and number of conductors for each control cable. (If other than drawings provided.)
- C. Coordination Drawings: Show piping and major system components. Indicate interface and spatial relationship between piping, system components, adjacent utilities, and proximate structures.
- D. Field quality-control test reports.
- E. Operation and Maintenance Data: For irrigation systems, to include in emergency, operation, and maintenance manuals. In addition to items specified in Division 1, include data for the following:
1. Automatic-control valves.
 2. Sprinklers.
 3. Controllers.
- 1.6 QUALITY ASSURANCE
- A. Electrical Components, Devices, and Accessories: Listed and labeled as defined in NFPA 70, Article 100, by a testing agency acceptable to authorities having jurisdiction, and marked for intended use.
- 1.7 DELIVERY, STORAGE, AND HANDLING
- A. Deliver piping with factory-applied end caps. Maintain end caps through shipping, storage, and handling to prevent pipe-end damage and to prevent entrance of dirt, debris, and moisture.
- B. Store plastic piping protected from direct sunlight. Support to prevent sagging and bending.
- 1.8 PROJECT CONDITIONS
- A. Interruption of Existing Water Service: Do not interrupt water service to facilities occupied by Owner or others unless permitted under the following conditions and then only after arranging to provide temporary water service according to requirements indicated:
1. Notify Construction Manager no fewer than two working days in advance of proposed interruption of water service.
 2. Do not proceed with interruption of water service without Construction Manager's permission.
- 1.9 EXTRA MATERIALS
- A. Furnish extra materials described below that match products installed and that are packaged with protective covering for storage and identified with labels describing contents.

1. Sprinkler Units: Equal to 10 percent of amount installed for each type and size indicated, but no fewer than 6 units.

PART 2 - PRODUCTS

2.1 MANUFACTURERS

- A. In other Part 2 articles where titles below introduce lists, the following requirements apply to product selection:
 1. Manufacturers: Subject to compliance with requirements, provide products by one of the manufacturers specified.

2.2 PIPES, TUBES, AND FITTINGS

- A. Refer to Part 3 "Piping Applications" Article for applications of pipe, fitting, and joining materials.
- B. Soft Copper Tube: ASTM B 88, Type L (ASTM B 88M, Type B), water tube, annealed temper.
 1. Copper Pressure Fittings: ASME B16.18, cast-copper-alloy or ASME B16.22, wrought-copper, solder-joint fittings. Furnish wrought-copper fittings if indicated.
 2. Bronze Flanges: ASME B16.24, Class 150, with solder-joint end.
 3. Copper Unions: MSS SP-123, cast-copper-alloy, hexagonal-stock body, with ball-and-socket, metal-to-metal seating surfaces and solder-joint or threaded ends.
- C. PVC Pipe: ASTM D 1785, PVC 1120 compound, Schedule 40.
 1. PVC Socket Fittings, Schedule 40: ASTM D 2466.
- D. PE, Controlled OD Pipe: ASTM F 771 and ASTM D 3035, PE 3408 compound, DR 9 and DR 11.
 1. PE Socket Fittings: ASTM D 2683.
 2. PE Butt-Fusion Fittings: ASTM D 3261.
- E. Transition and Dielectric Fittings: Provide as required.

2.3 GENERAL-DUTY VALVES

- A. AWWA, Cast-Iron Gate Valves: AWWA C500, metal-seated or AWWA C509, resilient-seated, nonrising-stem, gray- or ductile-iron body and bonnet gate valve; with bronze stem and stem nut.
 1. Minimum Working Pressure: 200 psig (1380 kPa).
 2. End Connections: Mechanical joint.
 3. Interior Coating: Complying with AWWA C550.
 4. Available Manufacturers:
 - a. American AVK Co.; Valves & Fittings Div.
 - b. American Cast Iron Pipe Co.; American Flow Control Div.
 - c. American Cast Iron Pipe Co.; Waterous Company Subsidiary.
 - d. East Jordan Iron Works, Inc.
 - e. Grinnell Corp.; Mueller Co.; Water Products Div.
 - f. McWane, Inc.; Clow Valve Co. Div.
 - g. McWane, Inc.; M & H Valve Company Div.
 - h. NIBCO INC.
 - i. Stockham.
 - j. United States Pipe and Foundry Company.

- B. Valve Boxes: Comply with AWWA M44 for cast-iron valve boxes. Include top section, adjustable extension of length required for depth of burial of valve, plug with lettering "WATER," bottom section with base of size to fit over valve, and approximately 5-inch- (125-mm-) diameter barrel.
 - 1. Operating Wrenches: Furnish total of one steel, tee-handle operating wrench(es) with one pointed end, stem of length to operate deepest buried valve, and socket matching valve operating nut.

2.4 SPECIALTY VALVES

- A. Plastic Automatic Control Valves: Molded-plastic body, normally closed, diaphragm type with manual flow adjustment, and operated by 24-V ac solenoid.
 - 1. Manufacturers:
 - a. Toro Company (The); Irrigation Div.
 - b. Irritrol
- B. Automatic Drain Valves: Spring-loaded-ball type of corrosion-resistant construction and designed to open for drainage if line pressure drops below 2-1/2 to 3 psig (17 to 20 kPa).
- C. Quick-Couplers: Factory-fabricated, bronze or brass, two-piece assembly. Include coupler water-seal valve; removable upper body with spring-loaded or weighted, rubber-covered cap; hose swivel with ASME B1.20.7, 3/4-11.5NH threads for garden hose on outlet; and operating key.
 - 1. Manufacturers:
 - a. Toro Company (The); Irrigation Div.
 - b. Irritrol

2.5 CONTROL-VALVE BOXES

- A. Plastic Control-Valve Boxes: Box and cover, with open bottom and openings for piping; designed for installing flush with grade. Include size as required for valves and service.
 - 1. Shape: Round.
 - 2. Sidewall Material: PE.
 - 3. Cover Material: PE.
 - a. Lettering: IRRIGATION.
 - 4. Available Manufacturers:
 - a. Pentek Co.
 - b. Carson Industries LLC.
 - c. NDS Industries.
- B. Drainage Backfill: Cleaned gravel or crushed stone, graded from 3/4 inch (19 mm) minimum to 3 inches (75 mm) maximum.

2.6 PIPING SPECIALTIES

- A. Water Regulators: ASSE 1003, single-seated, direct-operated, water-pressure regulators, rated for 150-psig (1035-kPa) minimum initial-inlet working pressure, with size, flow rate, and inlet and outlet pressures indicated. Include integral factory-installed or separate field-installed Y-pattern strainer that is compatible with unit for size and capacity.
 - 1. NPS 2 (DN 50) and Smaller: Bronze body with threaded ends.
 - 2. NPS 2-1/2 (DN 65) and Larger: Bronze or cast-iron body with flanged ends.
 - 3. Interior Components: Corrosion-resistant materials.
 - 4. Available Manufacturers:

- a. BERMAD.
 - b. CLA-VAL Co.
 - c. Conbraco Industries, Inc.
 - d. Watts Industries, Inc.; Water Products Div.
 - e. Zurn Plumbing Products Group; Wilkins Operation.
- B. Water Hammer Arresters: ASSE 1010 or PDI WH 201, with bellows or piston-type pressurized cushioning chamber and in sizes complying with PDI WH 201, Sizes A to F.
- C. Pressure Gages: ASME B40.1. Include 4-1/2-inch- (115-mm-) diameter dial, dial range of 2 times system operating pressure, and bottom outlet.
- 2.7 SPRINKLERS
- A. Description: Brass or plastic housing and corrosion-resistant interior parts designed for uniform coverage over entire spray area indicated, at available water pressure.
1. Manufacturers:
 - a. Toro Company (The); Irrigation Div.
 - b. Irritrol
 2. Bubblers: Fixed pattern, with screw-type flow adjustment.
 3. Shrubbery Sprinklers: Fixed pattern, with screw-type flow adjustment.
 4. Pop-up, Spray Sprinklers: Fixed pattern, with screw-type flow adjustment and stainless-steel retraction spring.
 5. Pop-up, Rotary, Spray Sprinklers: Gear drive, full-circle and adjustable part-circle types.
- 2.8 AUTOMATIC-CONTROL SYSTEM
- A. Manufacturers:
 1. Toro Company (The); Irrigation Div.
 2. Irritrol
- B. Interior Control Enclosures: with locking cover and two matching keys.
 1. Material: Plastic.
 2. Mounting: Surface type for wall mounting.
- C. Control Transformer: 24-V secondary, with primary fuse.
- D. Wiring:
 1. Low-Voltage, Branch-Circuit Cables: No. 14 AWG minimum, between controllers and automatic control valves; color-coded different from feeder-circuit-cable jacket color; with jackets of different colors for multiple-cable installation in same trench.
 2. Splicing Materials: Manufacturer's packaged kit consisting of insulating, spring-type connector or crimped joint and epoxy resin moisture seal; suitable for direct burial.

PART 3 - EXECUTION

3.1 EARTHWORK

- A. Refer to Division 31 Section "Earth Moving" for excavating, trenching, and backfilling.
- B. Install warning tape directly above pressure piping, 12 inches (300 mm) below finished grades, except 6 inches (150 mm) below subgrade under pavement and slabs.
- C. Install piping and wiring in sleeves under sidewalks, roadways, parking lots, and railroads.

1. Install piping sleeves by boring or jacking under existing paving if possible.
- D. Drain Pockets: Excavate to sizes indicated. Backfill with cleaned gravel or crushed stone, graded from 3/4 to 3 inches (19 to 75 mm), to 12 inches (300 mm) below grade. Cover gravel or crushed stone with sheet of asphalt-saturated felt and backfill remainder with excavated material.
- E. Provide minimum cover over top of underground piping according to the following:
 1. Irrigation Main Piping: Minimum depth of 12 inches (914 mm) below finished grade.
 2. Circuit Piping: 10 inches (300 mm).
 3. Drain Piping: 12 inches (300 mm).
 4. Sleeves: 12-18 inches (600 mm).
- F. **Absolutely no construction activities allowed on or around the existing mound except for what is shown on Sheets C2.0 and L1.0. Any de-sodding work on the mound or excavation work for the irrigation system must have a Tribal Monitor present at ALL times.**

3.2 PREPARATION

- A. Set stakes to identify locations of proposed irrigation system. Obtain Construction Manager's approval before excavation.

3.3 PIPING APPLICATIONS

- A. Install components having pressure rating equal to or greater than system operating pressure.
- B. Underground Irrigation Main Piping: Use the following piping materials for each size range:
 1. 160 psi PVC pipe and Schedule 40 socket fittings, and solvent-cemented joints.
- C. Circuit Piping: Use the following piping materials for each size range:
 1. NPS 1-1/4 (DN 50) and Smaller: PE, controlled OD pipe; PE socket or butt-fusion fittings; and heat-fusion joints.
 2. NPS 2 to NPS 4 (DN 65 to DN 100): SDR 26 Class 160, PVC pipe and socket fittings; and solvent-cemented joints.
- D. Transition Fittings: Use transition fittings for plastic-to-metal pipe connections according to the following:
 1. Couplings:
 - a. Underground Piping NPS 1-1/2 (DN 40) and Smaller: Manufactured fitting or coupling.
 - b. Underground Piping NPS 2 (DN 50) and Larger: AWWA transition coupling.
 2. Fittings:
 - a. Underground Piping: Union with plastic end of same material as plastic piping.
- E. Dielectric Fittings: Use dielectric fittings for dissimilar-metal pipe connections according to the following:
 1. Underground Piping:
 - a. NPS 2 (DN 50) and Smaller: Dielectric couplings or dielectric nipples.
 - b. NPS 2-1/2 (DN 65) and Larger: Prohibited except in valve box.

3.4 VALVE APPLICATIONS

- A. Underground, Shutoff-Duty Valves: Use the following:

1. NPS 2 (DN 50) and Smaller: Curb stop with tee head, curb-stop service box, and shutoff rod.
 2. NPS 3 (DN 80) and Larger: AWWA cast-iron gate valve with elastomeric gaskets and stem nut, valve box, and shutoff rod.
- B. Underground, Manual Control Valves: Bronze globe valve with control-valve box and valve key.
- C. Control Valves:
1. NPS 2 (DN 50) and Smaller: Plastic automatic control valve.
 2. NPS 2-1/2 and NPS 3 (DN 65 and DN 80): Plastic automatic control valve.
- D. Drain Valves:
1. NPS 1/2 and NPS 3/4 (DN 15 and DN 20): Automatic drain valve.
 2. NPS 1 to NPS 2 (DN 25 to DN 50): Plastic ball valve.

3.5 PIPING INSTALLATION

- A. Location and Arrangement: Drawings indicate location and arrangement of piping systems. Install piping as indicated unless deviations are approved on Coordination Drawings.
- B. Install piping at minimum uniform slope of 0.5 percent down toward drain valves.
- C. Install piping free of sags and bends.
- D. Install groups of pipes parallel to each other, spaced to permit valve servicing.
- E. Install fittings for changes in direction and branch connections.
- F. Install unions adjacent to valves and to final connections to other components with NPS 2 (DN 50) or smaller pipe connection.
- G. Install flanges adjacent to valves and to final connections to other components with NPS 2-1/2 (DN 65) or larger pipe connection.
- H. Install dielectric fittings to connect piping of dissimilar metals.
- I. Install underground thermoplastic piping according to ASTM D 2774[and ASTM F 690].
- J. Lay piping on solid subbase, uniformly sloped without humps or depressions.
- K. Install PVC piping in dry weather when temperature is above 40 deg F 5 deg C. Allow joints to cure at least 24 hours at temperatures above 40 deg F 5 deg C before testing unless otherwise recommended by manufacturer.
- L. Install water regulators with shutoff valve and strainer on inlet and pressure gage on outlet. Install shutoff valve on outlet.
- M. Water Hammer Arresters: Install between connection to building main and circuit valves in valve box.

3.6 VALVE INSTALLATION

- A. Underground Gate Valves: Install in valve box with top flush with grade.
1. Install valves and PVC pipe with restrained, gasketed joints.
- B. Control Valves: Install in control-valve box.
- C. Drain Valves: Install in control-valve box.

3.7 SPRINKLER INSTALLATION

- A. Flush circuit piping with full head of water and install sprinklers after hydrostatic test is completed.
- B. Install sprinklers at manufacturer's recommended heights.
- C. Locate part-circle sprinklers to maintain a minimum distance of 4 inches (100 mm) from walls and 2 inches (50 mm) from other boundaries, unless otherwise indicated.

3.8 AUTOMATIC-CONTROL SYSTEM INSTALLATION

- A. Install control cable in same trench as irrigation piping and at least 2 inches (50 mm) below piping. Provide conductors of size not smaller than recommended by controller manufacturer. Install cable in separate sleeve under paved areas if irrigation piping is installed in sleeve.

3.9 CONNECTIONS

- A. Drawings indicate general arrangement of piping, fittings, and specialties.
- B. Grounding per manufacturer's requirement.
- C. Connection according to manufacturer's requirements.
- D. Tighten electrical connectors and terminals according to manufacturer's published torque-tightening values. If manufacturer's torque values are not indicated, use those specified in UL 486A and UL 486B.

3.10 LABELING AND IDENTIFYING

- A. Equipment Nameplates and Signs: Install engraved plastic-laminate equipment nameplates and signs on each automatic controller.
 - 1. Text: In addition to identifying unit, distinguish between multiple units, inform operator of operational requirements, indicate safety and emergency precautions, and warn of hazards and improper operations.

3.11 FIELD QUALITY CONTROL

- A. Manufacturer's Field Service: Engage a factory-authorized service representative to inspect, test, and adjust field-assembled components and equipment installation, including connections, and to assist in field testing. Report results in writing.
- B. Perform the following field tests and inspections and prepare test reports:
 - 1. Leak Test: After installation, charge system and test for leaks. Repair leaks and retest until no leaks exist.
 - 2. Operational Test: After electrical circuitry has been energized, operate controllers and automatic control valves to confirm proper system operation.
 - 3. Test and adjust controls and safeties. Replace damaged and malfunctioning controls and equipment.
- C. Remove and replace units and retest as specified above.

3.12 STARTUP SERVICE

- A. Engage a factory-authorized service representative to perform startup service.
- B. Verify that controllers are installed and connected according to the Contract Documents.

- C. Verify that electrical wiring installation complies with manufacturer's submittal and installation requirements in Division 16 Sections.
- D. Complete startup checks according to manufacturer's written instructions.

3.13 ADJUSTING

- A. Adjust settings of controllers.
- B. Adjust automatic control valves to provide flow rate of rated operating pressure required for each sprinkler circuit.
- C. Adjust sprinklers so they will be flush with, or not more than 1/2 inch (13 mm) above, finish grade.

3.14 CLEANING

- A. Flush dirt and debris from piping before installing sprinklers and other devices.

3.15 DEMONSTRATION

- A. Engage a factory-authorized service representative to train Owner's maintenance personnel to adjust, operate, and maintain controller and automatic control valves.

END OF SECTION 328400

THIS PAGE INTENTIONALLY LEFT BLANK

SECTION 32 9200 - TURF AND GRASSES

PART 1 - GENERAL

1.1 SUMMARY

A. Section Includes:

1. Seeding.
2. Fertilizer and mulch.
3. Topsoil.
4. Lawn renovation.

B. Related Sections:

1. Division 31 Section 31 1000 "Site Clearing" for topsoil stripping and stockpiling.
2. Division 31 Section 31 2000 "Earthwork" for filling and backfilling.

1.2 DEFINITIONS

- A. Finish Grade: Elevation of finished surface of planting soil.
- B. Manufactured Soil: Soil produced off-site by homogeneously blending mineral soils or sand with stabilized organic soil amendments to produce topsoil or planting soil.
- C. Planting Soil: Native or imported topsoil, manufactured topsoil, or surface soil modified to become topsoil; mixed with soil amendments.
- D. Subgrade: Surface or elevation of subsoil remaining after completing excavation, or top surface of a fill or backfill immediately beneath planting soil.
- E. Subsoil: All soil beneath the topsoil layer of the soil profile, and typified by the lack of organic matter and soil organisms.

1.3 SUBMITTALS

- A. Product Data: For each type of product indicated.
- B. All submittals must be received 30 days prior to installation.
- C. Soil test including physical properties.
- D. Chemicals and fertilizers to be used (including MSDS)
- E. Imported top soil analysis

- F. Certification of Grass Seed: From seed vendor for each grass-seed monostand or mixture stating the botanical and common name and percentage by weight of each species and variety, and percentage of purity, germination, and weed seed. Include the year of production and date of packaging.
- G. Material Test Reports: For existing surface soil and imported topsoil.

1.4 QUALITY ASSURANCE

- A. Installer Qualifications: A qualified landscape installer whose work has resulted in successful lawn establishment.
 - 1. Installer's Field Supervision: Require Installer to maintain an experienced full-time supervisor on Project site when planting is in progress.
- B. Soil-Testing Laboratory Qualifications: An independent laboratory, recognized by the State Department of Agriculture, with the experience and capability to conduct the testing indicated and that specializes in types of tests to be performed.
- C. Topsoil Analysis: Furnish soil analysis by a qualified soil-testing laboratory stating percentages of organic matter; gradation of sand, silt, and clay content; cation exchange capacity; sodium absorption ratio; deleterious material; pH; and mineral and plant-nutrient content of topsoil.
 - 1. Report suitability of topsoil for lawn growth. State-recommended quantities of nitrogen, phosphorus, and potash nutrients and soil amendments to be added to produce satisfactory topsoil.
- D. Preinstallation Conference: Conduct conference at Project site.

1.5 DELIVERY, STORAGE, AND HANDLING

- A. Seed: Deliver seed in original sealed, labeled, and undamaged containers.

1.6 PROJECT CONDITIONS

- A. Planting Restrictions: Plant during one of the following periods. Coordinate planting periods with initial maintenance periods to provide required maintenance from date of Substantial Completion.
 - 1. Spring Planting: May 15th to June 30th
 - 2. Fall Planting: September 1st to October 31st
- B. Weather Limitations: Proceed with planting only when existing and forecasted weather conditions permit.

- C. **Absolutely no construction activities allowed on or around the existing mound except for what is shown on Sheets C2.0 and L1.0. Any de-sodding work on the mound or excavation work for the irrigation system must have a Tribal Monitor present at ALL times.**

1.7 MAINTENANCE SERVICE

- A. Initial Lawn Maintenance Service: Provide full maintenance by skilled employees of landscape Installer. Maintain as required in Part 3. Begin maintenance immediately after each area is planted and continue until acceptable lawn is established, but for not less than the following periods:
1. Seeded Lawns: 90 days from date of Substantial Completion.
 - a. When initial maintenance period has not elapsed before end of planting season, or if lawn is not fully established, continue maintenance during next planting season.
- B. Maintain and establish lawn by watering, fertilizing, weeding, mowing, trimming, replanting, and other operations. Roll, regrade, and replant bare or eroded areas and remulch to produce a uniformly smooth lawn.
1. In areas where mulch has been disturbed by wind or maintenance operations, add new mulch. Anchor as required to prevent displacement.
- C. Watering: Provide and maintain temporary piping, hoses, and lawn-watering equipment to convey water from sources and to keep lawn uniformly moist to a depth of 4 inches.
1. Schedule watering to prevent wilting, puddling, erosion, and displacement of seed or mulch. Lay out temporary watering system to avoid walking over muddy or newly planted areas.
 2. Water lawn at a minimum rate of 1 inch per week.
- D. Mow lawn as soon as top growth is tall enough to cut. Repeat mowing to maintain specified height without cutting more than 40 percent of grass height. Remove no more than 40 percent of grass-leaf growth in initial or subsequent mowings. Do not delay mowing until grass blades bend over and become matted. Do not mow when grass is wet. Schedule initial and subsequent mowings to maintain the following grass height:
1. Mow grass 3-3 1/2 inches high.
- E. Lawn Postfertilization: Apply fertilizer after initial mowing and when grass is dry.
1. A phosphorous free fertilizer that will provide actual nitrogen of at least 1 lb/1000 sq. ft. to lawn area.

PART 2 - PRODUCTS

2.1 SEED

- A. Grass Seed: Fresh, clean, dry, new-crop seed complying with AOSA's "Journal of Seed Technology; Rules for Testing Seeds" for purity and germination tolerances.
- B. Fresh, clean and new crop seed mixture. Each seed type certified blue or gold tag.
 - 1. Mixed by an approved method.
 - 2. Test for germination made within preceding six months. Not to exceed 0.25% weed seed. Seeding rates shall be determined by the percent pure live seed, where $PLS = \% \text{ pure seed} \times \% \text{ germination} \times 100$.
 - 3. Turfgrasses:
 - 1) General Seed Mixture:
 - a) Arcadia Kentucky Blue: 25%
 - b) SR 2100 Kentucky Blue: 20%
 - c) Pennlawn Red Fescue: 10%
 - d) SR 4600 Ryegrass Blend: 10%
 - e) Zoom Perennial Ryegrass: 20%
 - f) SR 4550 Perennial Ryegrass: 15%
 - 4. Obtain the Owner's specific written acceptance for substitution of seed other than those named above. Proposed substitutes shall have essentially the same characteristics as seed specified in appearance, ultimate height, shape, habit of growth, general soil, and other requirements. Average cost and value of seed specified. Seed of greater value may be accepted without additional cost to the Owner.
 - 5. Seed rate for turf establishment shall be 8lbs/1000sq.ft. of pure live seed.

2.2 HYDROMULCH

- A. Hydromulch slurry mixture is to be composed of a suitable rate of mulch and water to allow for even coverage of seed that will protect plant growth while allowing necessary light and water to penetrate.

2.3 WATER

- A. Free of substance harmful to plant growth.

2.4 TOPSOIL, SOIL MIXES, SOIL AMENITIES

- A. Topsoil: ASTM D 5268, pH range of 5.5 to 7, 4 percent organic material minimum, free of stones 3/8 inch or larger in any dimension, and other extraneous materials harmful to plant growth. Soil shall be a loam or sandy loam texture and free of debris.

1. Topsoil Source: Import topsoil from off site sources as necessary. Obtain topsoil from naturally well-drained sites where topsoil occurs at least 4 inches deep; do not obtain from bogs and marshes.

B. Lime: ASTM C 602, Class T, agricultural limestone.

2.5 PLANTING SOIL MIX

A. Planting Soil Mix: Mix topsoil with the following soil amendments in the following quantities:

1. Ratio of Loose Compost to Topsoil by Volume: 1:3.

2.6 PLANTING ACCESSORIES

A. Selective Herbicides: EPA registered and approved, of type recommended by manufacturer for application.

2.7 FERTILIZER

A. Commercial Fertilizer: Commercial-grade complete fertilizer for turf seed establishment shall be a starter fertilizer with a ratio of 1:2:1 for NPK.

2.8 MULCHES

A. Straw Mulch: Provide air-dry, clean, mildew- and seed-free, salt hay or threshed straw of wheat, rye, oats, or barley.

B. Fiber Mulch: Biodegradable, dyed-wood, cellulose-fiber mulch; nontoxic; free of plant-growth or germination inhibitors; with a maximum moisture content of 15 percent and a pH range of 4.5 to 6.5.

C. Nonasphaltic Tackifier: Colloidal tackifier recommended by fiber-mulch manufacturer for slurry application; nontoxic and free of plant-growth or germination inhibitors.

2.9 EROSION-CONTROL MATERIALS

A. Erosion-Control Blankets: Biodegradable wood excelsior, straw, or coconut-fiber mat enclosed in a photodegradable plastic mesh. Include manufacturer's recommended steel wire staples, 6 inches long.

PART 3 - EXECUTION

3.1 EXAMINATION

- A. Examine areas to receive lawns and grass for compliance with requirements and other conditions affecting performance.
- B. Proceed with installation only after unsatisfactory conditions have been corrected.

3.2 PREPARATION

- A. Protect structures, utilities, sidewalks, pavements, and other facilities, trees, shrubs, and plantings from damage caused by planting operations.
 - 1. Protect adjacent and adjoining areas from hydroseeding overspray.
- B. Provide erosion-control measures to prevent erosion or displacement of soils and discharge of soil-bearing water runoff or airborne dust to adjacent properties and walkways.
- C. Verify limits of seeding material with the Owner's Representative in the field before starting seeding and sodding work.
- D. Limit preparation to areas which will be immediately seeded.
- E. Newly Graded Subgrades: Loosen subgrade to a minimum depth of 4 inches. Remove stones larger than 1 inch in any dimension and sticks, roots, rubbish, and other extraneous matter and legally dispose of them off Owner's property.
- F. Spread topsoil to a depth of 4 inches minimum to meet finish grades after light rolling and natural settlement. Do not spread if planting soil or subgrade is frozen, muddy, or excessively wet.
- G. Fine grade to a smooth even surface with no 'bird baths', having loose, uniformly fine texture. Remove trash, debris, stones larger than 1-inches in any dimension, and other objects that may interfere with planting or maintenance operations.
- H. Fine grade to within plus or minus 1/2 inch of finish elevation. Roll and rake, remove ridges, and fill depressions to meet finish grades. Limit fine grading to areas that can be planted in the immediate future.
- I. Reduce elevation of planting soil to allow for soil thickness of sod.
- J. Apply fertilizers by mechanical rotary or drop type distributor thoroughly and evenly incorporated with soil. Fertilize areas inaccessible to power equipment with hand tools and incorporate into soil.
- K. Restore prepared areas to specified condition of eroded, settled, or otherwise disturbed after fine grading and prior to seeding and sodding.

- L. Moisten prepared lawn areas before planting when soil is dry and allow surface to dry before planting.
- M. **Absolutely no construction activities allowed on or around the existing mound except for what is shown on Sheets C2.0 and L1.0. Any de-sodding work on the mound or excavation work for the irrigation system must have a Tribal Monitor present at ALL times.**

3.3 INSTALLATION

A. Seeding:

1. Hydroseeding is preferred. If any other method of seeding occurs, the seeded area must be covered with mulch immediately.
2. Seed immediately after preparation of bed. Seed during a period that promotes germination and establishment for the seed blend. Seeding at times other than those locally recognized as acceptable shall be unacceptable.
3. Seed indicated areas within contract limits and areas adjoining contract limits disturbed as a result of construction operations.
4. Evenly distribute seed by sowing equal quantities. Rake seed lightly into top 1/8 inch of topsoil, ensuring good seed/soil contact, and water with fine spray.
 - a. Seeding Rate:
 - 1) 4-5 lbs / 1,000 sf. Ft. Sun
 - 2) 5-6 lbs/ 1,000 sf. Ft. Shade
 - b. Protect seeded areas with slopes less than 1:6 against erosion by spreading mulch after completion of seeding operations and anchor by crimping into topsoil. Spread uniformly at a minimum rate of 2 tons per acre.
5. Apply Commercial Fertilizer 1/2/1 at 200 lbs./acre.

3.4 MULCHING

- A. Hydromulch seeded areas within 24 hours after seeding.
- B. Owner will replace mulch displaced before grass has made a growth of 1- to 1-1/2-inch.
- C. Provide straw bale checking in ditches or problem swales at intervals required to adequately slow water velocity and impede soil loss or other methods as required by governmental agencies.
- D. During germination period, the Contractor shall protect and water seeded areas, maintain top 1/2- to 1 inch soil in a moist condition. Continue watering until turfgrass is established.

3.5 PREPARATION FOR EROSION-CONTROL MATERIALS

- A. Prepare area as specified in "Lawn Preparation" Article.

- B. For erosion-control blanket, install from top of slope, working downward, and as recommended by material manufacturer for site conditions. Fasten as recommended by material manufacturer.
- C. Moisten prepared area before planting if surface is dry. Water thoroughly and allow surface to dry before planting. Do not create muddy soil.

3.6 LAWN RENOVATION

- A. Renovate existing lawn damaged by Contractor's operations, such as storage of materials or equipment and movement of vehicles.
 - 1. Reestablish lawn where settlement or washouts occur or where minor regrading is required.
- B. Remove sod and vegetation from diseased or unsatisfactory lawn areas; do not bury in soil.
- C. Remove topsoil containing foreign materials resulting from Contractor's operations, including oil drippings, fuel spills, stone, gravel, and other construction materials, and replace with new topsoil.
- D. Mow, dethatch, core aerate, and rake existing lawn.
- E. Remove weeds before seeding. Where weeds are extensive, apply selective herbicides as required. Do not use pre-emergence herbicides.
- F. Remove waste and foreign materials, including weeds, soil cores, grass, vegetation, and turf, and legally dispose of them off Owner's property.
- G. Till stripped, bare, and compacted areas thoroughly to a soil depth of 6 inches.
- H. Apply seed and hydromulch as required for new lawns.
- I. Water newly planted areas and keep moist until new lawn is established
- J. **Absolutely no construction activities allowed on or around the existing mound except for what is shown on Sheets C2.0 and L1.0. Any de-sodding work on the mound or excavation work for the irrigation system must have a Tribal Monitor present at ALL times.**

3.7 SATISFACTORY LAWNS

- A. Lawn installations shall meet the following criteria as determined by Architect:
 - 1. Satisfactory Seeded Lawn: At end of maintenance period, a healthy, uniform, close stand of grass has been established, free of weeds and surface irregularities, with coverage exceeding 90 percent over any 10 sq. ft. and bare spots not exceeding 5 by 5 inches.
- B. Use specified materials to reestablish lawns that do not comply with requirements and continue maintenance until lawns are satisfactory.

3.8 CLEANUP AND PROTECTION

- A. Any soil, peat or similar material which has been brought onto paved areas by hauling operations or otherwise shall be removed promptly. Upon completion of planting, all excess soil, stones, and debris shall be removed from the site or disposed of as directed by the Owner. All planting areas shall be prepared for final inspection.
- B. Promptly remove soil and debris, created by lawn work, from paved areas. Clean wheels of vehicles before leaving site to avoid tracking soil onto roads, walks, or other paved areas.
- C. Erect temporary fencing or barricades and warning signs as required to protect newly planted areas from traffic. Maintain fencing and barricades throughout initial maintenance period and remove after lawn is established.
- D. Remove nondegradable erosion-control measures after grass establishment period.

3.9 ACCEPTANCE

- A. Inspection to determine acceptance of installed turfgrass will be made by Owner's Representative and Landscape Architect.
 - 1. New turfgrass areas will be acceptable provided all requirements, excluding maintenance, have been compiled with.
 - 2. No individual turfgrass area shall have bare spots or unacceptable cover totaling more than 2% of the individual areas requested to be inspected.
- B. Planted areas will be inspected at completion of installation and accepted subject to compliance with specified materials and installation requirements.

3.10 CLEANUP AND PROTECTION

- A. Promptly remove soil and debris created by lawn work from paved areas. Clean wheels of vehicles before leaving site to avoid tracking soil onto roads, walks, or other paved areas.
- B. Erect barricades and warning signs as required to protect newly planted areas from traffic. Maintain barricades throughout maintenance period and remove after lawn is established.

END OF SECTION 32 9200

THIS PAGE INTENTIONALLY LEFT BLANK

SECTION 32 9300 - PLANTS

PART 1 - GENERAL

1.1 RELATED DOCUMENTS

- A. Drawings and general provisions of the Contract, including General and Supplementary Conditions and Division 01 Specification Sections, apply to this Section.

1.2 SUMMARY

- A. Section Includes:

1. Planting
2. Planting soils.
3. Landscape edgings.
4. Grandfather and Grandmother Stones

- B. Related Sections:

1. Division 31 Section "Site Clearing" for protection of existing trees and plantings, topsoil stripping and stockpiling, and site clearing.
2. Division 31 Section "Earth Moving" for filling
3. Division 32 Section "Turf and Grasses" for turf (lawn) planting, hydromulching, and erosion-control materials.

1.3 DEFINITIONS

- A. Backfill: The earth used to replace or the act of replacing earth in an excavation.
- B. Container-Grown Stock: Healthy, vigorous, well-rooted plants grown in a container, with a well-established root system reaching sides of container and maintaining a firm ball when removed from container. Container shall be rigid enough to hold ball shape and protect root mass during shipping and be sized according to ANSI Z60.1 for type and size of plant required.
- C. Finish Grade: Elevation of finished surface of planting soil.
- D. Manufactured Topsoil: Soil produced off-site by homogeneously blending mineral soils or sand with stabilized organic soil amendments to produce topsoil or planting soil.
- E. Pesticide: A substance or mixture intended for preventing, destroying, repelling, or mitigating a pest. This includes insecticides, miticides, herbicides, fungicides, rodenticides, and molluscicides. It also includes substances or mixtures intended for use as a plant regulator, defoliant, or desiccant.

- F. Planting Soil: Standardized topsoil; imported topsoil; or manufactured topsoil that is modified with soil amendments and perhaps fertilizers to produce a soil mixture best for plant growth.
- G. Subgrade: Surface or elevation of subsoil remaining after excavation is complete, or the top surface of a fill or backfill before planting soil is placed.
- H. Surface Soil: Soil that is present at the top layer of the existing soil profile at the Project site. In undisturbed areas, the surface soil is typically topsoil; but in disturbed areas such as urban environments, the surface soil can be subsoil.

1.4 SUBMITTALS

- A. Nursery Source: For all nursery stock indicated on Plans.
 - 1. Submit list of growers for each plant species to be installed within 30 days following award of contract. Include substitution requests based on plant unavailability at that time. Substitution requests after this period will not be accepted.
- B. Topsoil Analysis: Analysis of topsoil stockpiled for re-spreading prior to spreading or use in planting mix.
- C. Material Test Reports: For imported topsoil.
- D. Planting Schedule: Indicating anticipated planting dates for exterior plants.
- E. Maintenance Instructions: Recommended procedures to be established by Owner for maintenance of plants during a calendar year. Submit before start of required maintenance periods.

1.5 QUALITY ASSURANCE

- A. Installer Qualifications: A qualified landscape installer whose work has resulted in successful establishment of exterior plants.
- B. Installer's Field Supervision: Require Installer to maintain an experienced full-time supervisor on Project site when exterior planting is in progress.
- C. Soil-Testing Laboratory Qualifications: An independent or university laboratory, recognized by the State Department of Agriculture, with the experience and capability to conduct the testing indicated and that specializes in types of tests to be performed.
- D. Topsoil Analysis: Furnish soil analysis by a qualified soil-testing laboratory stating percentages of organic matter; gradation of sand, silt, and clay content; cation exchange capacity; sodium absorption ratio; deleterious material; pH; and mineral and plant-nutrient content of topsoil.
 - 1. Report suitability of topsoil for plant growth. State recommended quantities of nitrogen, phosphorus, and potash nutrients and soil amendments to be added to produce satisfactory topsoil.

- E. Provide quality, size, genus, species, and variety of plants indicated, complying with applicable requirements in ANSI Z60.1.
- F. Observation: Architect's Representative may observe trees and shrubs either at place of growth or at site before planting for compliance with requirements for genus, species, variety, size, and quality. Architect's Representative retains right to observe trees and shrubs further for size and condition of balls and root systems, insects, injuries, and latent defects and to reject unsatisfactory or defective material at any time during progress of work. Remove rejected trees or shrubs immediately from Project site.
 - 1. Notify Architect's Representative of sources of planting materials seven days in advance of delivery to site.

1.6 DELIVERY, STORAGE, AND HANDLING

- A. Provide protective covering of plants during shipping and delivery. Do not drop plants during delivery and handling.
- B. Handle planting stock by root ball.
- C. Deliver plants after preparations for planting have been completed, and install immediately. If planting is delayed more than six hours after delivery, set plants and trees in their appropriate aspect (sun, filtered sun, or shade), protect from weather and mechanical damage, and keep roots moist.
 - 1. Water root systems of plants stored on-site deeply and thoroughly with a fine-mist spray. Water as often as necessary to maintain root systems in a moist, but not overly-wet condition.

1.7 PROJECT CONDITIONS

- A. Weather Limitations: Proceed with planting only when existing and forecasted weather conditions permit planting to be performed when beneficial and optimum results may be obtained. Apply products during favorable weather conditions according to manufacturer's written instructions and warranty requirements.
- B. Coordination with Turf Areas (Lawns): Plant trees, shrubs, and other plants after finish grades are established and before planting turf areas unless otherwise indicated.
 - 1. When planting trees, shrubs, and other plants after planting turf areas, protect turf areas, and promptly repair damage caused by planting operations.
- C. **Absolutely no construction activities allowed on or around the existing mound except for what is shown on Sheets C2.0 and L1.0. Any de-sodding work on the mound or excavation work for the irrigation system must have a Tribal Monitor present at ALL times.**

1.8 WARRANTY

- A. Special Warranty: Warrant the following exterior plants, for the warranty period indicated, against defects including death and unsatisfactory growth, except for defects resulting from lack

of adequate maintenance, neglect, or abuse by Owner, or incidents that are beyond Contractor's control.

1. Warranty Period: One year from date of Substantial Completion.
2. Remove dead exterior plants immediately. Replace immediately unless required to plant in the succeeding planting season.
3. Replace exterior plants that are more than 25 percent dead or in an unhealthy condition at end of warranty period.
4. A limit of one replacement of each exterior plant will be required, except for losses or replacements due to failure to comply with requirements.

1.9 MAINTENANCE SERVICE

- A. Ground Cover and Plants: Maintain for the following maintenance period by watering, weeding, fertilizing, and other operations as required to establish healthy, viable plantings:
 1. Maintenance Period for Ground Cover and Other Plants: Three months of growing season from date of Substantial Completion.

PART 2 - PRODUCTS

2.1 PLANT MATERIAL

- A. General: Furnish nursery-grown plants true to genus, species, variety, cultivar, stem form, shearing, and other features indicated in Plant Schedule or Plant Legend shown on Drawings and complying with ANSI Z60.1; and with healthy root systems developed by transplanting or root pruning. Provide well-shaped, fully branched, healthy, vigorous stock, densely foliated when in leaf and free of disease, pests, eggs, larvae, and defects such as knots, sun scald, injuries, abrasions, and disfigurement.
- B. Grade: Provide trees and shrubs of sizes and grades complying with ANSI Z60.1 for type of trees and shrubs required. Trees and shrubs of a larger size may be used if acceptable to Architect's Representative, with a proportionate increase in size of roots or balls.
- C. Labeling: Label each plant of each variety, size, and caliper with a securely attached, waterproof tag bearing legible designation of common name and full scientific name, including genus and species. Include nomenclature for hybrid, variety, or cultivar, if applicable for the plant as shown on Drawings.
- D. If formal arrangements or consecutive order of plants is shown on Drawings, select stock for uniform height and spread, and number the labels to assure symmetry in planting.

2.2 GROUND COVER PLANTS

- A. Ground Cover: Provide ground cover of species indicated, established and well-rooted in pots or similar containers and complying with ANSI Z60.1.

- B. Approved Native Nursery Vendors: Subject to compliance with requirements, Native Nursery Vendors whose products may be incorporated into the Work, or approved equal.
 - 1. Wildtype Native Plant Nursery, 900 N. Every Road, Mason, MI 48854 (517)244-1140.
 - 2. Michigan Wildflower Farm, 11770 Cutler Road, Portland, MI 48875, (517)647-6010.

2.3 PERENNIALS

- A. Perennials: Provide healthy, field-grown plants from a commercial nursery, of species and variety shown or listed.
- B. Approved Native Nursery Vendors: Subject to compliance with requirements, Native Nursery Vendors whose products may be incorporated into the Work, or approved equal.
 - 1. Wildtype Native Plant Nursery, 900 N. Every Road, Mason, MI 48854 (517)244-1140
 - 2. Michigan Wildflower Farm, 11770 Cutler Road, Portland, MI 48875, (517)647-6010.

2.4 INORGANIC SOIL AMENDMENTS

- A. Lime: ASTM C 602, agricultural liming material containing a minimum of 80 percent calcium carbonate equivalent and as follows:
 - 1. Class: T, with a minimum of 99 percent passing through No. 8 (2.36-mm) sieve and a minimum of 75 percent passing through No. 60 (0.25-mm) sieve.
 - 2. Provide lime in form of ground dolomitic limestone.
- B. Sulfur: Granular, biodegradable, and containing a minimum of 90 percent sulfur, with a minimum of 99 percent passing through No. 6 (3.35-mm) sieve and a maximum of 10 percent passing through No. 40 (0.425-mm) sieve.
- C. Iron Sulfate: Granulated ferrous sulfate containing a minimum of 20 percent iron and 10 percent sulfur.
- D. Aluminum Sulfate: Commercial grade, unadulterated.
- E. Perlite: Horticultural perlite, soil amendment grade.
- F. Agricultural Gypsum: Minimum 90 percent calcium sulfate, finely ground with 90 percent passing through No. 50 (0.30-mm) sieve.
- G. Sand: Clean, washed, natural or manufactured, and free of toxic materials.

2.5 ORGANIC SOIL AMENDMENTS

- A. Compost: Well-composted, stable, and weed-free organic matter, pH range of 5.5 to 8; moisture content 35 to 55 percent by weight; 100 percent passing through 1-inch (25-mm) sieve; soluble salt content of 5 to 10 decisiemens/m; not exceeding 0.5 percent inert contaminants and free of substances toxic to plantings; and as follows:
 - 1. Organic Matter Content: 50 to 60 percent of dry weight.

- B. Peat: Finely divided or granular texture, with a pH range of 6 to 7.5, containing partially decomposed moss peat, native peat, or reed-sedge peat and having a water-absorbing capacity of 1100 to 2000 percent.
- C. Manure: Well-rotted, unleached, stable or cattle manure containing not more than 25 percent by volume of straw, sawdust, or other bedding materials; free of toxic substances, stones, sticks, soil, weed seed, debris, and material harmful to plant growth.

2.6 FERTILIZERS

- A. Superphosphate: Commercial, phosphate mixture, soluble; a minimum of 20 percent available phosphoric acid.
- B. Slow-Release Fertilizer: Granular or pelleted fertilizer consisting of 50 percent water-insoluble nitrogen, phosphorus, and potassium in the following composition:
- C. Composition: Nitrogen, phosphorous, and potassium in amounts recommended in soil reports from a qualified soil-testing agency.

2.7 PLANTING SOILS

- A. Planting Soil:
 - 1. Planting Soil Mix: Mix topsoil with the following soil amendments and fertilizers in the following quantities:
 - a. Compost: To achieve 6% organic matter.
 - b. Ratio of Loose Peat to Topsoil by Volume: Three (3) parts by volume of topsoil to one (1) part granulated peat unless otherwise required.
 - c. Lime: As specified to meet the pH range of 5.5 to 7.
 - d. Weight of Slow-Release Fertilizer: Ten (10) pounds per 1,000 Sq.Ft. (92.9 Sq. M.)
Wetting Agent (20.1 cuft/minute)

2.8 MULCHES

- A. Organic Mulch: Free from deleterious materials and suitable as a top dressing of trees and shrubs, consisting of one of the following:
 - 1. Type: Shredded hardwood.

2.9 LANDSCAPE EDGINGS

- A. Aluminum Edging: Standard-profile extruded-aluminum edging, ASTM B 221 (ASTM B 221M), Alloy 6063-T6, fabricated in standard lengths with interlocking sections with loops stamped from face of sections to receive stakes.
 - 1. Manufacturers: Subject to compliance with requirements, available manufacturers offering products that may be incorporated into the Work include, but are not limited to, the following:
 - a. Curv-Rite, Inc.

- b. Permaloc Corporation.
- c. Russell, J. D. Company (The).
- d. Sure-Loc Edging Corporation.
2. Edging Size: 3/16 inch (4.8 mm) wide by 4 inches (100 mm) deep.
3. Stakes: Aluminum, ASTM B 221 (ASTM B 221M), Alloy 6061-T6, approximately 1-1/2 inches (38 mm) wide by 12 inches (300 mm) long.
4. Finish: Manufacturer's standard paint.
5. Paint Color: Black.

2.10 MISCELLANEOUS PRODUCTS

- A. Antidesiccant: Water-insoluble emulsion, permeable moisture retarder, film forming, for trees and shrubs. Deliver in original, sealed, and fully labeled containers and mix according to manufacturer's written instructions.
- B. Trunk-Wrap Tape: Two layers of crinkled paper cemented together with bituminous material, 4-inch- (100-mm-) wide minimum, with stretch factor of 33 percent.

2.11 GRANDFATHER AND GRANDMOTHER STONES

- A. Grandfather and Grandmother Stones: Washed, natural river or lake stones, 9"-10" diameter, very smooth and round in shape.
 1. Stone material to be provided by others. Contractor responsible for installation of stones as shown on Drawings.

PART 3 - EXECUTION

3.1 EXAMINATION

- A. Examine areas to receive exterior plants for compliance with requirements and conditions affecting installation and performance. Proceed with installation only after unsatisfactory conditions have been corrected.

3.2 PREPARATION

- A. Protect structures, utilities, sidewalks, pavements, and other facilities and turf areas and existing plants from damage caused by planting operations.
- B. Install erosion-control measures to prevent erosion or displacement of soils and discharge of soil-bearing water runoff or airborne dust to adjacent properties and walkways.
- C. **Absolutely no construction activities allowed on or around the existing mound except for what is shown on Sheets C2.0 and L1.0. Any de-sodding work on the mound or excavation work for the irrigation system must have a Tribal Monitor present at ALL times.**

3.3 PLANTING AREA ESTABLISHMENT

- A. Loosen subgrade of planting areas to a minimum depth of 4 inches (100 mm). Remove stones larger than 1 inch (25 mm) in any dimension and sticks, roots, rubbish, and other extraneous matter and legally dispose of them off Owner's property.
 - 1. Thoroughly blend planting soil off-site before spreading.
- B. Finish Grading: Grade planting areas to a smooth, uniform surface plane with loose, uniformly fine texture. Roll and rake, remove ridges, and fill depressions to meet finish grades.
- C. Restore planting beds if eroded or otherwise disturbed after finish grading and before planting.

3.4 PLANTING AREA MULCHING

- A. Mulch backfilled surfaces of planting areas and other areas indicated.
 - 1. Organic Mulch in Planting Areas: Apply 3-inch(75-mm) average thickness of mulch extending 12 inches(300 mm) beyond edge of individual planting pit or trench and over whole surface of planting area, and finish level with adjacent finish grades. Do not place mulch within 3 inches(75 mm) of trunks or stems.

3.5 EDGING INSTALLATION

- A. Aluminum Edging: Install aluminum edging where indicated according to manufacturer's written instructions. Anchor with aluminum stakes spaced approximately 48 inches (1200 mm) apart, driven below top elevation of edging.

3.6 GRANDFATHER AND GRANDMOTHER STONES

- A. Install per Drawings.

3.7 CLEANUP AND PROTECTION

- A. During planting, keep adjacent paving and construction clean and work area in an orderly condition.
- B. Protect plants from damage due to landscape operations and operations of other contractors and trades. Maintain protection during installation and maintenance periods. Treat, repair, or replace damaged plantings.

3.8 DISPOSAL

- A. Remove surplus soil and waste material including excess subsoil, unsuitable soil, trash, and debris and legally dispose of them off Owner's property.



DRAWINGS

Bronson Park Mound Improvements-REBID

Bid Reference #: 98852-064.0

February 2022

THE CITY OF KALAMAZOO

BRONSON PARK IMPROVEMENTS

MOUND LANDSCAPING - REBID

KALAMAZOO, MICHIGAN
BID REFERENCE #98852-064.0

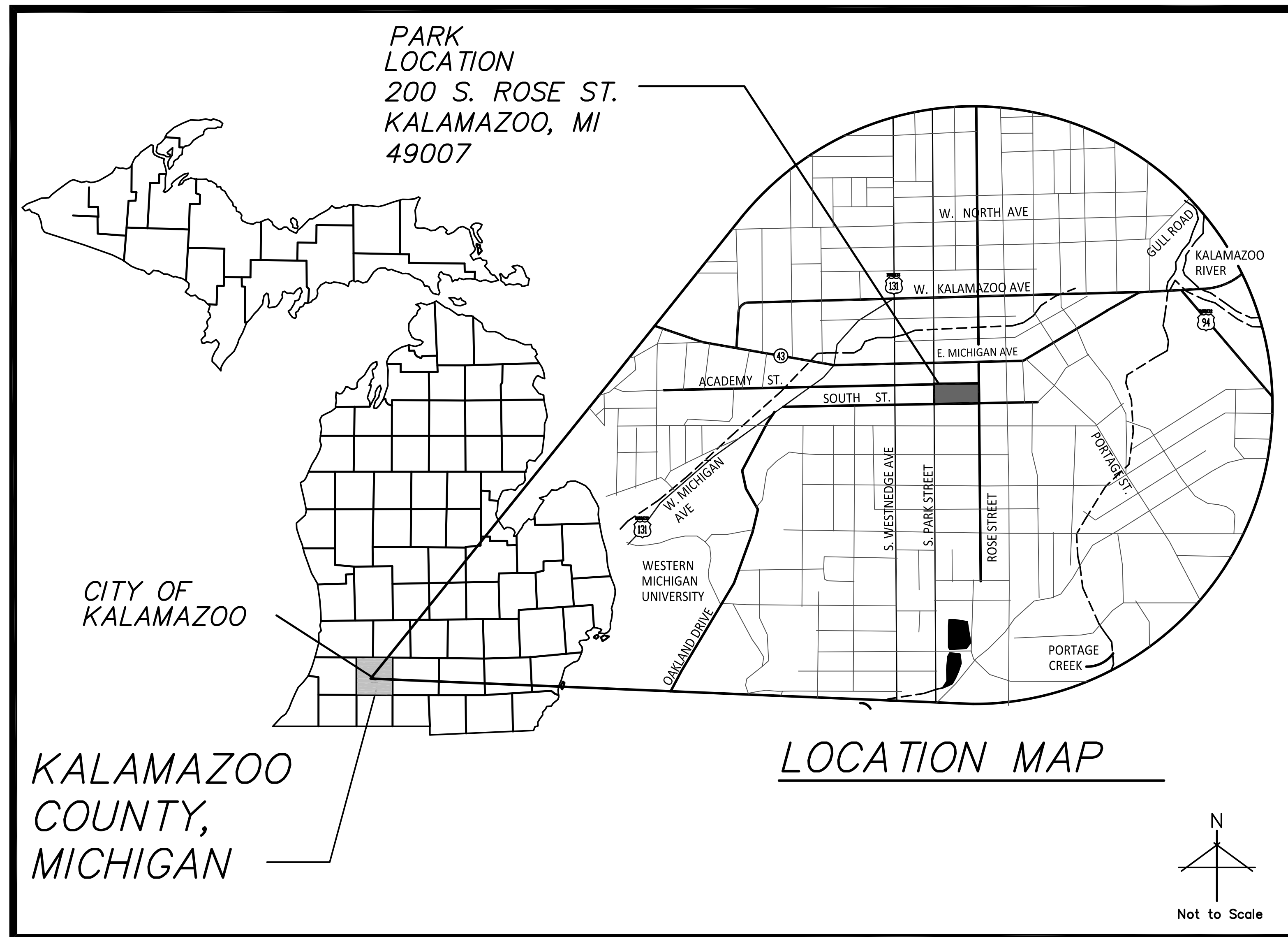
OWNER/CLIENT:
KALAMAZOO COUNTY (PROPERTY OWNER)
CITY OF KALAMAZOO PARKS & RECREATION DEPT.
(PROPERTY LEASEE AND CLIENT)

251 MILLS ROAD
KALAMAZOO, MICHIGAN 49048
269-337-8191 TELE
269-552-6457 FAX

LANDSCAPE ARCHITECT:
O'BOYLE COWELL BLALOCK
& ASSOCIATES, INC.

350 EAST MICHIGAN AVENUE, SUITE #415
KALAMAZOO, MICHIGAN 49007
269-381-3357 TELE
269-381-2944 FAX

LOCATION MAP



SHEET INDEX

NO.	
CO.0	COVER SHEET
C1.0	DEMOLITION PLAN
C2.0	LAYOUT PLAN
C4.0	DETAILS SHEET
L1.0	LANDSCAPE PLAN
IR1.0	IRRIGATION PLAN
IR1.1	IRRIGATION DETAILS

HARD COPY IS INTENDED TO BE 24"X36" WHEN PLOTTED. SCALE(S) INDICATED AND GRAPHIC QUALITY MAY NOT BE ACCURATE FOR ANY OTHER SIZES.

Issued For: _____ Date _____
ISSUE FOR RE-BID _____ 02/17/22

Project:
**The City of Kalamazoo
Bronson Park
Improvements Mound
Landscaping - Rebid**

Kalamazoo, MI

Sheet Title

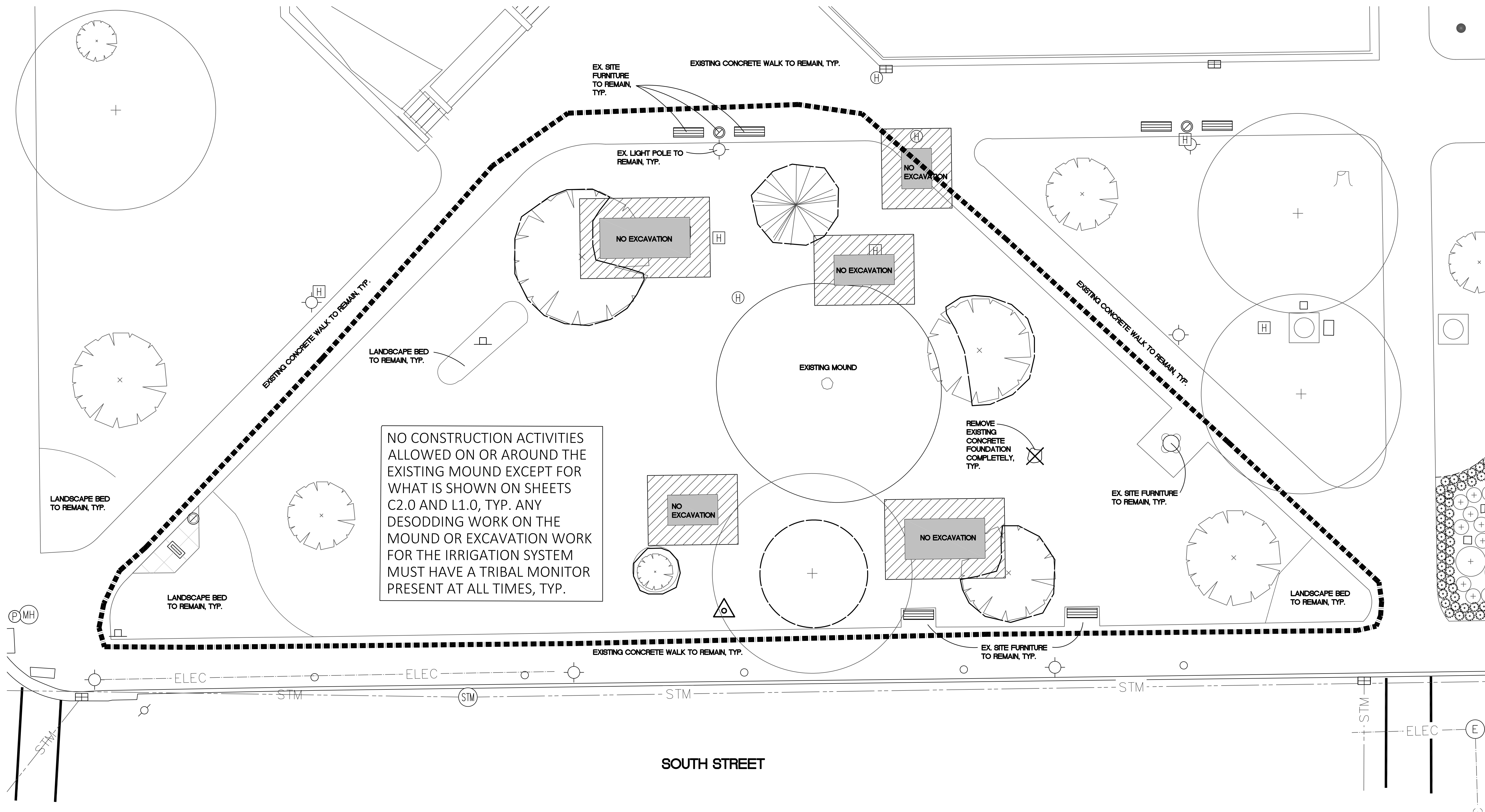
Cover Sheet

NOTES:

- 1) Except where other wise indicated on the plans or in the proposal and supplemental specifications or special provisions contained herein, all materials and workmanship shall be in accordance with Michigan Department of Transportation Standard Specifications for Construction, 1996 Edition.
- 2) Call Miss Dig, 1-800-482-7171 three working days, excluding Saturday, Sunday and holidays, before starting your project.

Job No. _____ Sheet No. _____

52104 **C0.0**



NO CONSTRUCTION ACTIVITIES ALLOWED ON OR AROUND THE EXISTING MOUND EXCEPT FOR WHAT IS SHOWN ON SHEETS C2.0 AND L1.0, TYP. ANY DESODDING WORK ON THE MOUND OR EXCAVATION WORK FOR THE IRRIGATION SYSTEM MUST HAVE A TRIBAL MONITOR PRESENT AT ALL TIMES, TYP.

HARD COPY IS INTENDED TO BE 24"x36" WHEN PLOTTED. SCALE(S) INDICATED AND GRAPHIC QUALITY MAY NOT BE ACCURATE FOR ANY OTHER SIZES.

Issued For: _____ Date: _____
ISSUE FOR RE-BID _____ 02/17/22

Project:
**The City of Kalamazoo
Bronson Park
Improvements Mound
Landscaping - Rebid**

Kalamazoo, MI

Sheet Title

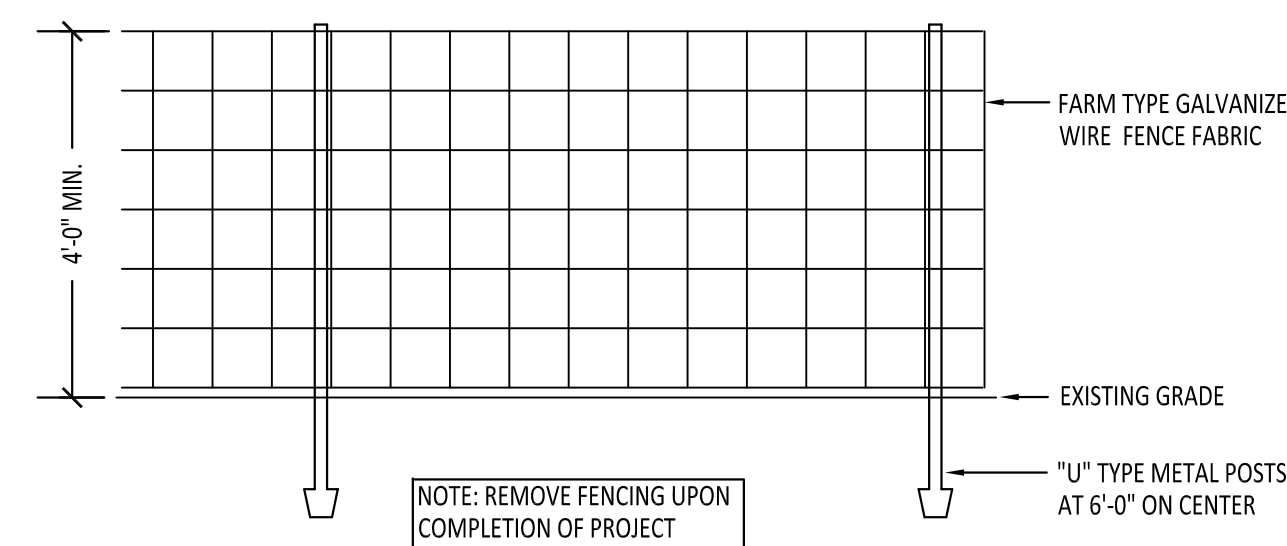
Demolition Plan

DEMOLITION NOTES:

1. SURVEY OF EXISTING CONDITIONS PROVIDED BY PREIN & NEWHOF INC. 7123 STADIUM DRIVE, KALAMAZOO MI, 49009 Ph: 269-372-1158
2. VERIFY LOCATIONS OF ALL BELOW GRADE UTILITIES PRIOR TO BEGINNING WORK. 72 HOURS BEFORE YOU DIG CALL "MISS DIG" AT 1-800-482-7171.
3. PROTECT ALL TREES & EXISTING FEATURES TO REMAIN AS SPECIFIED.
4. REFER TO LAYOUT PLAN FOR LIMITS OF WORK.
5. DISCREPANCIES BETWEEN SITE AND PLANS SHOULD BE REPORTED TO THE PROJECT MANAGER IMMEDIATELY.
6. ALL AREAS OF TREE CLEARING SHALL BE STAKED FOR ARCHITECT'S APPROVAL PRIOR TO CLEARING.
7. ALL TOPSOIL AND EXCESS FILL MATERIAL SHALL BE STOCKPILED ON SITE SEPARATELY FOR LATER RE-USE. LOCATE STOCKPILES IN AREAS AS DIRECTED BY CONSTRUCTION MANAGER AND PROTECT FROM EFFECTS OF EROSION.
8. THE MATCH-E-BE-NASH-SHE-WISH BAND OF POTTAWATOMI INDIANS WILL PERFORM A BLESSING CEREMONY ON THE SITE PRIOR TO ANY CONSTRUCTION. CONTRACTOR IS RESPONSIBLE FOR COORDINATING CONSTRUCTION SCHEDULE WITH OWNER AND LANDSCAPE ARCHITECT PRIOR TO START OF CONSTRUCTION.
9. NO CONSTRUCTION SHALL OCCUR DURING THE WEEKEND OF JUNE 4, 2022. EXACT CLOSURE DATES TO BE COORDINATED WITH THE CITY OF KALAMAZOO. ALL CONSTRUCTION WORK MUST BE STOPPED WITH NO EXPOSED UTILITY TRENCHES, HOLES, OR OTHER TRIPPING HAZARDS FOR PEDESTRIANS. THE MOUND MUST BE SECURED WITH ORANGE SNOWFENCING AND SIGNAGE SECURED TO THE FENCING. CITY OF KALAMAZOO TO PROVIDE SIGNAGE.

TREE PROTECTION NOTES:

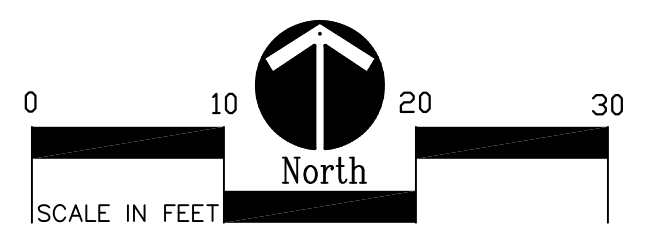
- PROVIDE AND MAINTAIN TEMPORARY TREE PROTECTION FENCING IN ALL LOCATIONS MARKED TO ANY WORK ON SITE (INCLUDING TOPSOIL STRIPPING OPERATIONS). REFER TO THE FOLLOWING NOTES AND THE SPECIFICATIONS FOR TREE PROTECTION REQUIREMENTS.
1. NO CONSTRUCTION OPERATIONS, EQUIPMENT, MATERIALS OR TOPSOIL SHALL BE ALLOWED WITHIN THE TREE PROTECTION AREAS.
 2. EXISTING GROUND COVER AND TOPSOIL SHALL NOT BE REMOVED FROM TREE PROTECTION AREAS DURING EARTHWORK PHASE.
 3. VEHICULAR TRAFFIC, PARKING, EQUIPMENT OR MATERIAL STORAGE MAY NOT OCCUR WITHIN THE TREE PROTECTION AREAS AT ANY TIME.
 4. NO EXCAVATION SHALL BE MADE WITHIN THE TREE PROTECTION AREAS EXCEPT AS NOTED OTHERWISE.



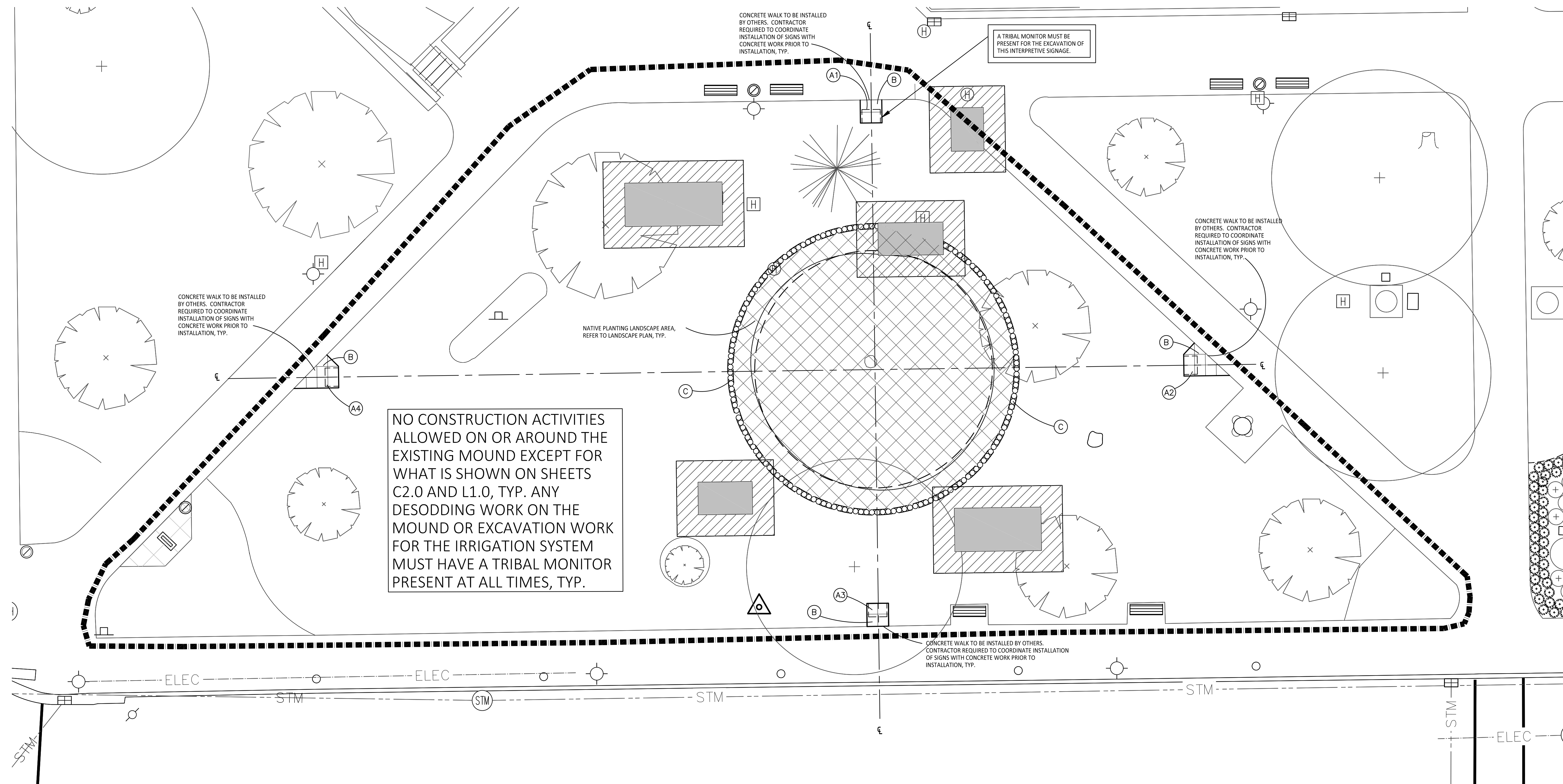
1 Tree Protection Fencing
NOT TO SCALE

DEMOLITION LEGEND:

- ABSOLUTELY NO EXCAVATION, PARKING, OR STORAGE IN THIS SHADED AREA
- MINIMAL WORK ALLOWED IN THIS AREA, BUT ONLY WITH PRIOR APPROVAL FROM OWNER AND WITH TRIBAL MONITOR PRESENT DURING ANY WORK.
- TEMPORARY TREE PROTECTION FENCE, REFER TO DETAIL 1/C1.0
- LIMIT OF WORK



Job No. _____ Sheet No. _____



NO CONSTRUCTION ACTIVITIES ALLOWED ON OR AROUND THE EXISTING MOUND EXCEPT FOR WHAT IS SHOWN ON SHEETS C2.0 AND L1.0, TYP. ANY DESODDING WORK ON THE MOUND OR EXCAVATION WORK FOR THE IRRIGATION SYSTEM MUST HAVE A TRIBAL MONITOR PRESENT AT ALL TIMES, TYP.

PROPOSED FEATURES LEGEND:

SYMBOL	DESCRIPTION	KEY	DESCRIPTION	DETAIL
	ABSOLUTELY NO EXCAVATION, PARKING, OR STORAGE IN THIS SHADED AREA	(A1)	NORTH INTERPRETIVE SIGN PANEL	1/C4.0
	MINIMAL WORK ALLOWED IN THIS AREA, BUT ONLY WITH PRIOR APPROVAL FROM OWNER AND WITH TRIBAL MONITOR PRESENT DURING ANY WORK.	(A2)	EAST INTERPRETIVE SIGN PANEL	1/C4.0
	NATIVE PLANTING AREA, REFER TO SHEET L1.0	(A3)	SOUTH INTERPRETIVE SIGN PANEL	1/C4.0
	LIMIT OF WORK	(A4)	WEST INTERPRETIVE SIGN PANEL	1/C4.0
	METAL EDGING, REFER TO DETAIL 4/C4.0	(B)	CONCRETE WALK (BY OTHERS)	5/C4.0
		(C)	GRANDFATHER & GRANDMOTHER STONES	2/C4.0
		SIGNS		
		(S1)	NO TRESPASSING SIGN	SEE SPECS.

LAYOUT NOTES:

1. SURVEY OF EXISTING CONDITIONS PROVIDED BY PREIN & NEWHOF INC. 7123 STADIUM DRIVE, KALAMAZOO MI, 49009 Ph: 269-372-1158
2. PAVEMENT DIMENSIONS AND RADII ARE TO EDGE OF PAVEMENT OR BACK OF CURB.
3. DISCREPANCIES BETWEEN SITE AND PLANS SHOULD BE REPORTED TO THE PROJECT MANAGER IMMEDIATELY.
4. VERIFY LOCATIONS OF ALL BELOW GRADE UTILITIES PRIOR TO BEGINNING WORK. 72 HOURS BEFORE YOU DIG CALL "MIS DIG" AT 1-800-482-7171.
5. PROVIDE BARRIER FREE PARKING SIGNS FOR ALL BARRIER FREE PARKING SPACES. ALL SIGNS TO COMPLY WITH THE MDOT MICHIGAN MANUAL OF UNIFORM TRAFFIC CONTROL DEVICES.
6. SITE LAYOUT POINTS SHOULD BE ESTABLISHED AND PROTECTED FOR FUTURE SITE WORK.
7. THE MATCH-E-BE-NASH-SHE-WISH BAND OF POTTAWATOMI INDIANS WILL PERFORM A BLESSING CEREMONY ON THE SITE PRIOR TO ANY CONSTRUCTION. CONTRACTOR IS RESPONSIBLE FOR COORDINATING CONSTRUCTION SCHEDULE WITH OWNER AND LANDSCAPE ARCHITECT PRIOR TO START OF CONSTRUCTION.
8. NO CONSTRUCTION SHALL OCCUR DURING THE WEEKEND OF JUNE 4, 2022. EXACT CLOSURE DATES TO BE COORDINATED WITH THE CITY OF KALAMAZOO. ALL CONSTRUCTION WORK MUST BE STOPPED WITH NO EXPOSED UTILITY TRENCHES, HOLES, OR OTHER TRIPPING HAZARDS FOR PEDESTRIANS. THE MOUND MUST BE SECURED WITH ORANGE SNOWFENCING AND SIGNAGE SECURED TO THE FENCING. CITY OF KALAMAZOO TO PROVIDE SIGNAGE.

BARRIER-FREE NOTES

BARRIER-FREE PARKING AND ACCESSIBLE ROUTE(S) MUST COMPLY WITH THE AMERICANS WITH DISABILITIES ACT AND MICHIGAN BARRIER-FREE CODE REQUIREMENTS, INCLUDING BUT NOT LIMITED TO THE FOLLOWING:

- 1:50 (2%) MAXIMUM CROSS-SLOPE ON ACCESSIBLE ROUTE.
- NO CHANGES IN LEVEL GREATER THAN 1/2" ALONG ACCESSIBLE ROUTE.
- 1:20 (5%) MAXIMUM LONGITUDINAL SLOPE ON ACCESSIBLE ROUTE (EXCEPT WHERE RAMPS ARE PROVIDED).
- 1:50 (2%) MAXIMUM SLOPE (IN ANY DIRECTION) IN B.F. PARKING AND ACCESS AISLES.

HARD COPY IS INTENDED TO BE 24"x36" WHEN PLOTTED. SCALE(S) INDICATED AND GRAPHIC QUALITY MAY NOT BE ACCURATE FOR ANY OTHER SIZES.

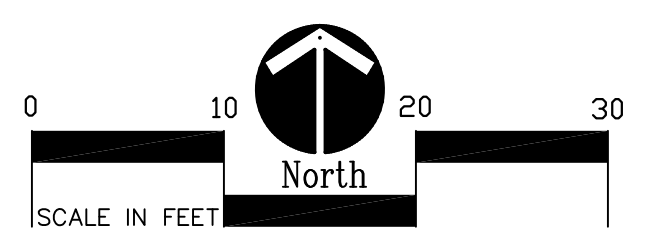
Issued For: _____ Date _____
ISSUE FOR RE-BID _____ 02/17/22

Project:
**The City of Kalamazoo
Bronson Park
Improvements Mound
Landscaping - Rebid**

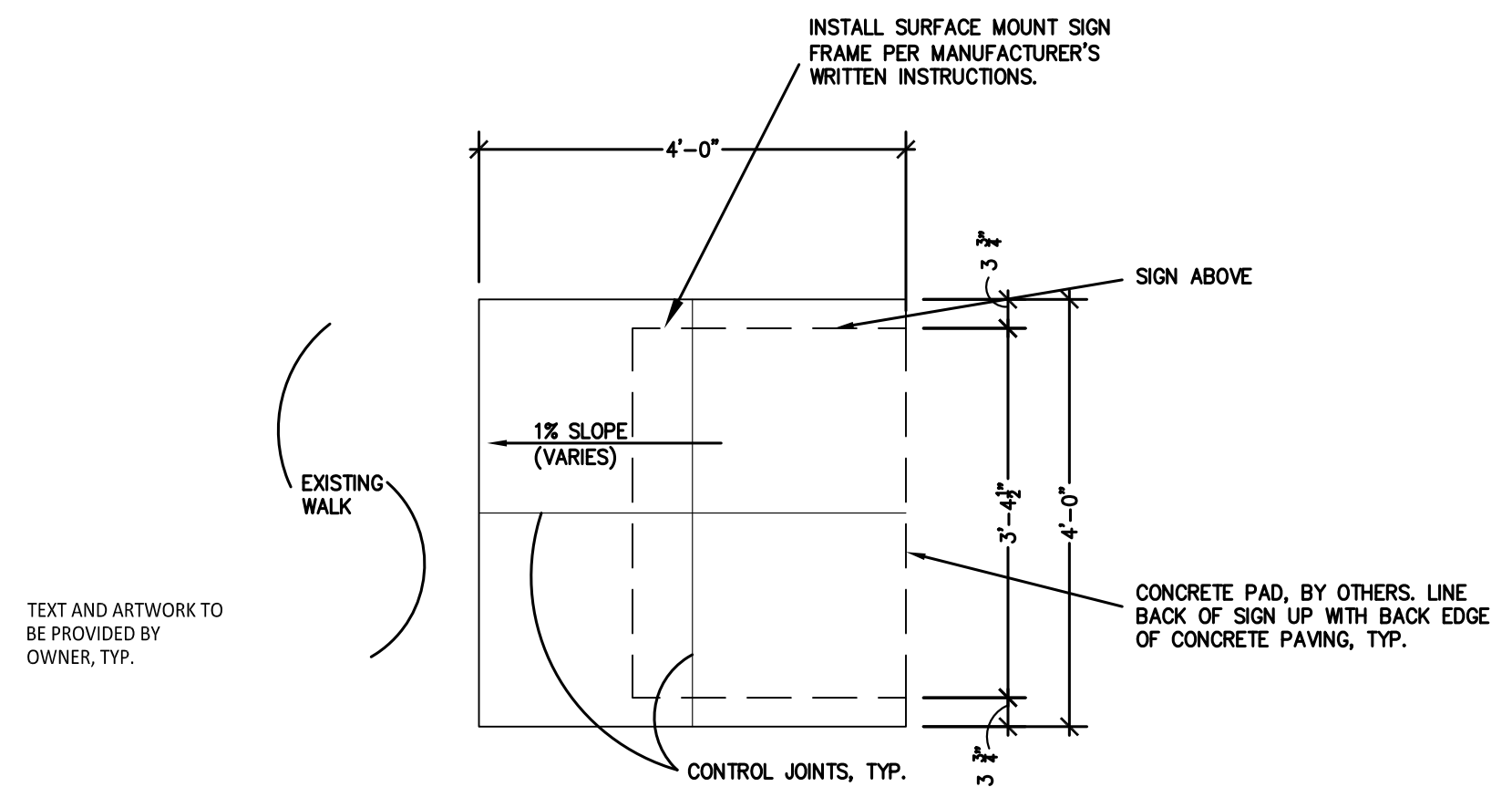
Kalamazoo, MI

Sheet Title

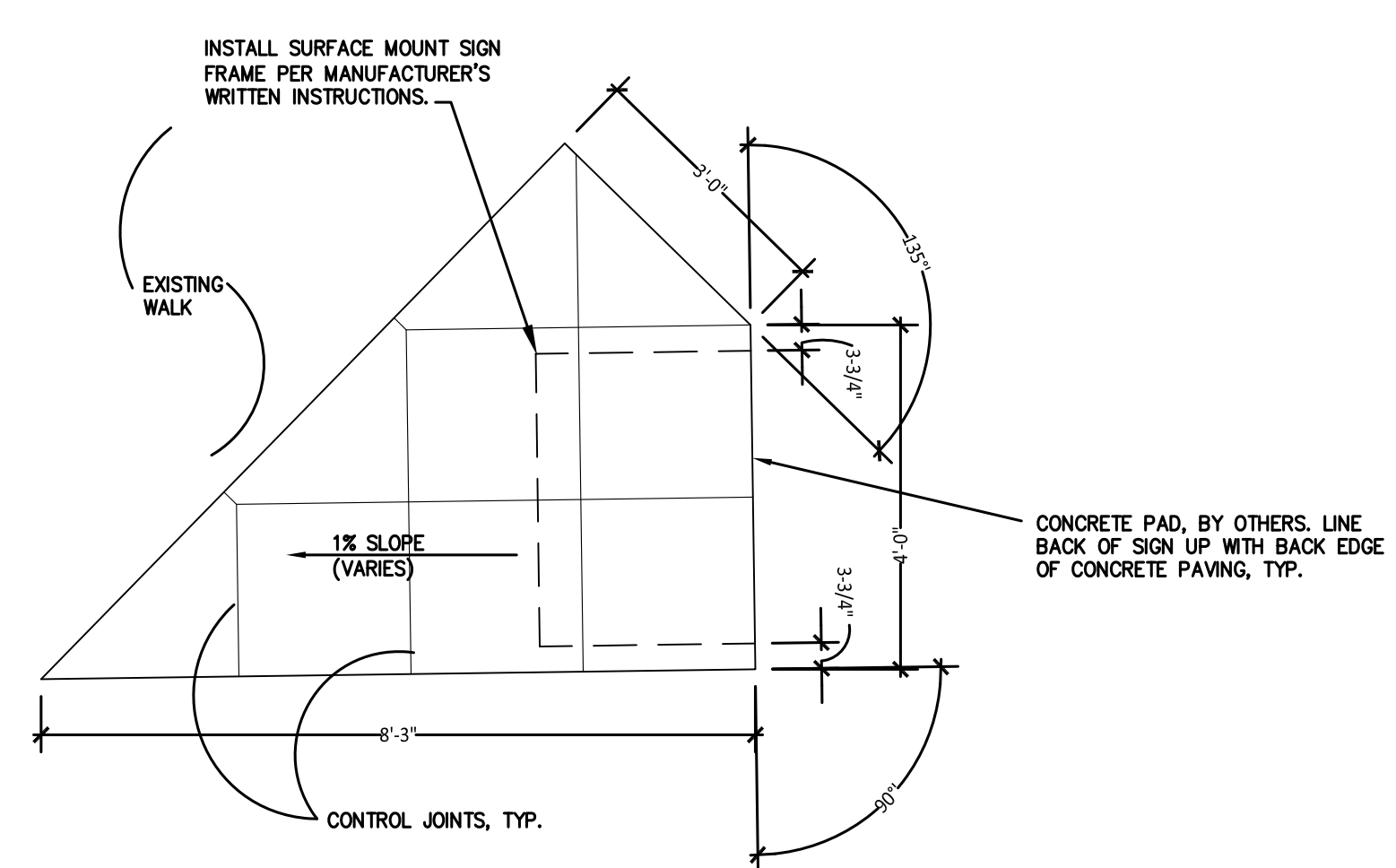
Layout Plan



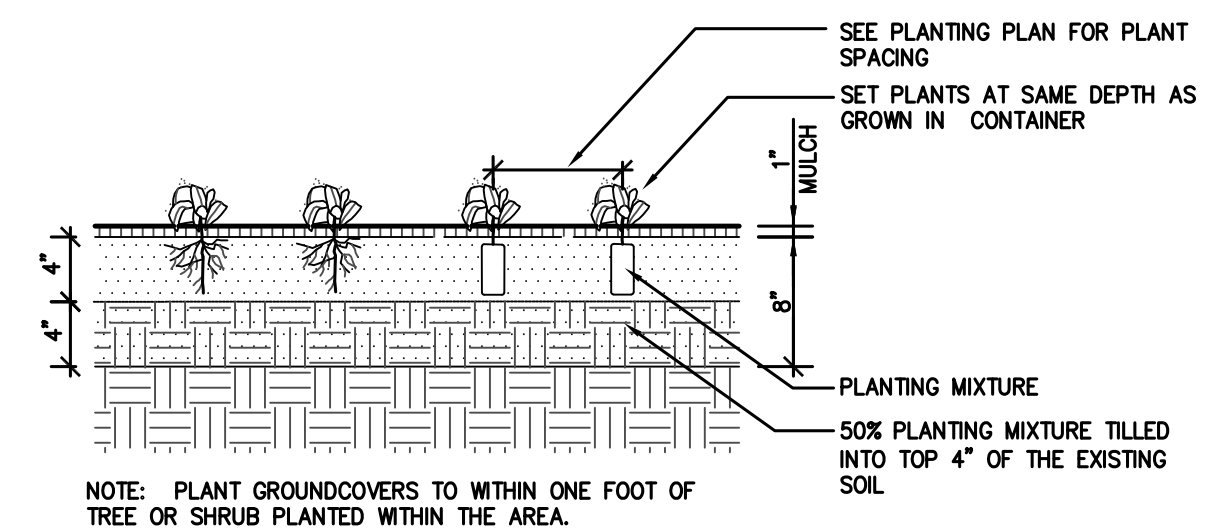
Job No. _____ Sheet No. _____



North + South Signs Plan

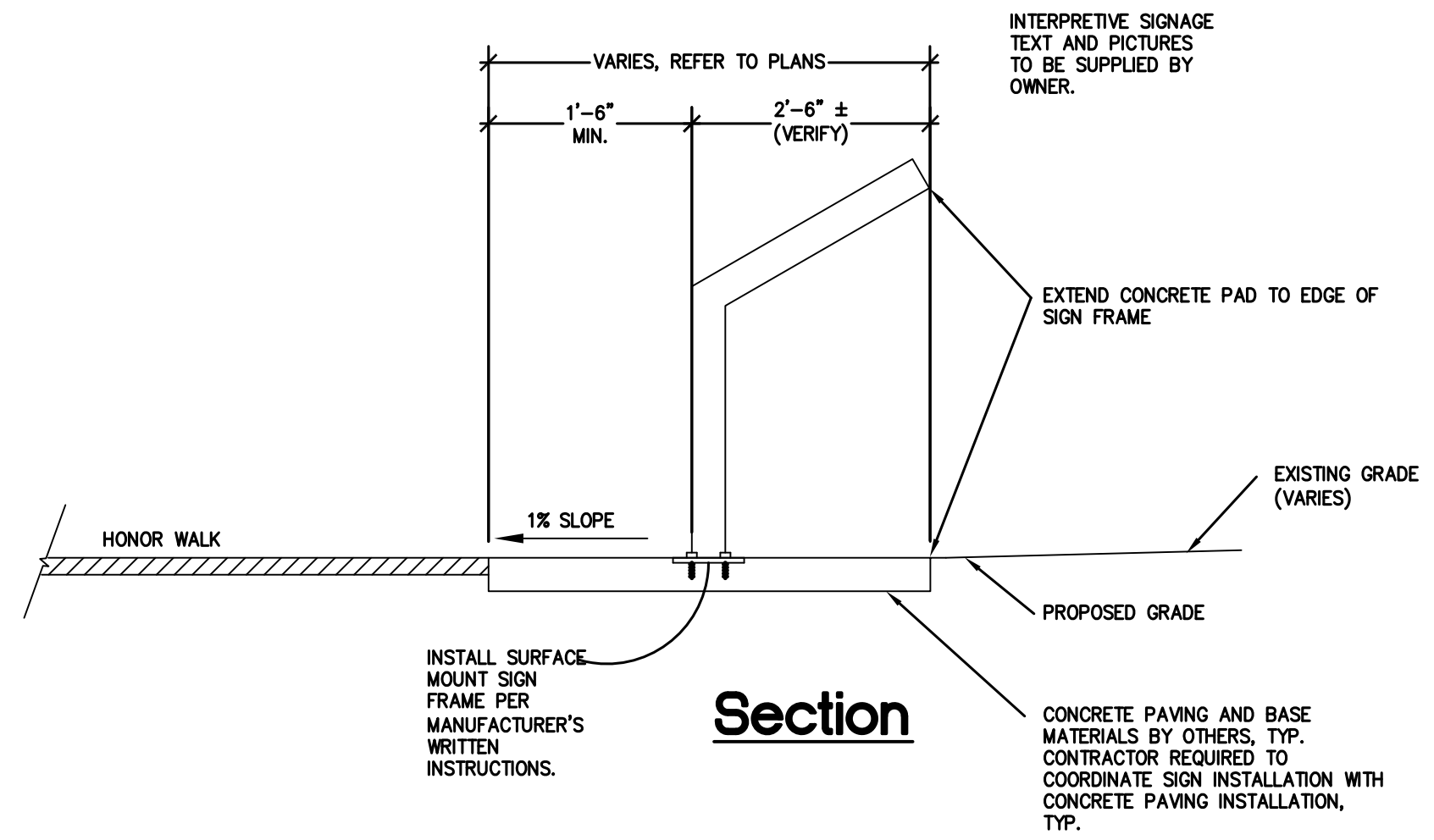


East + West Signs Plan

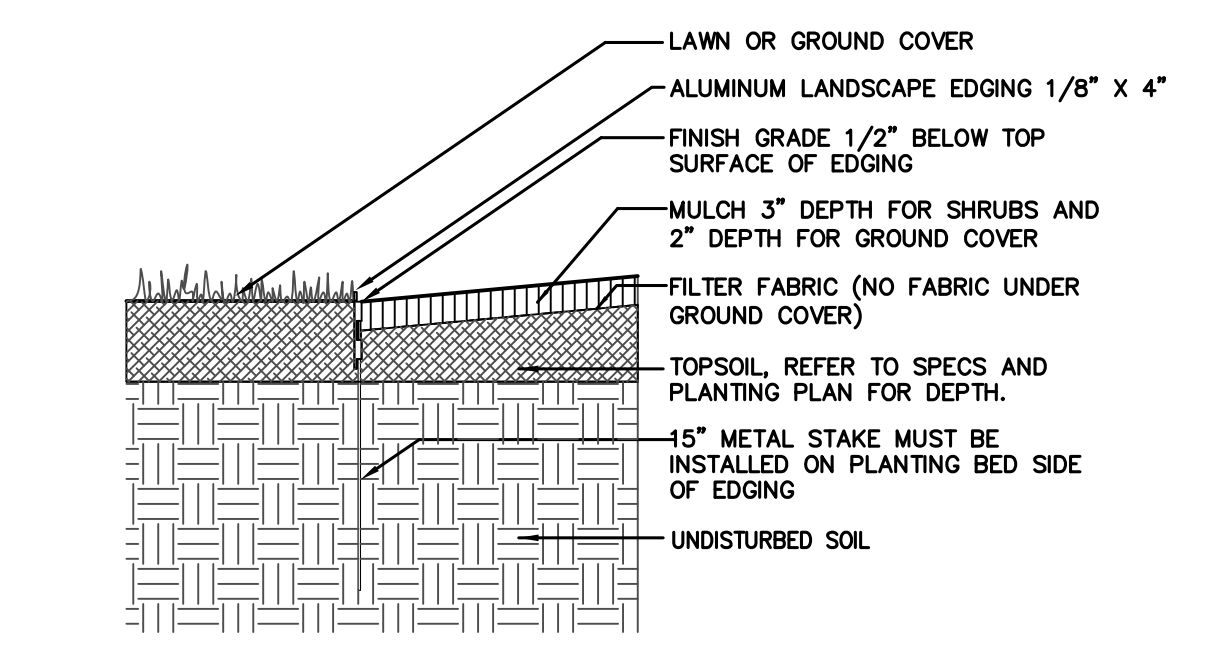


3 Upright Groundcover Planting
Not To Scale

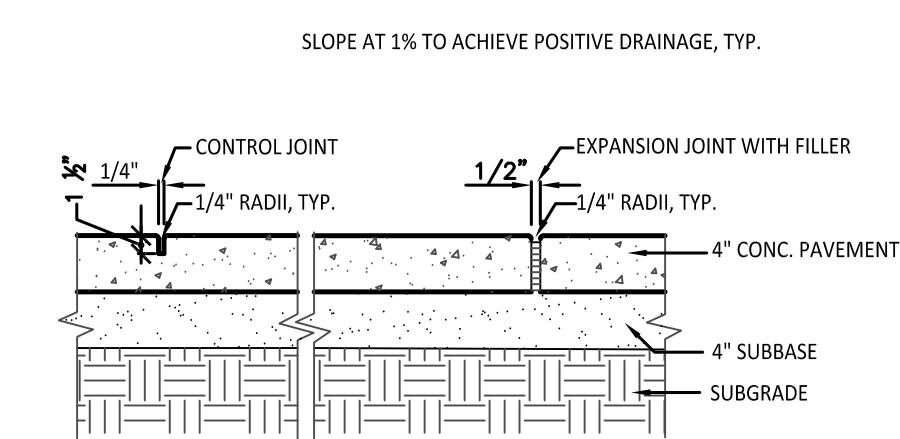
TEXT AND ARTWORK TO BE PROVIDED BY OWNER, TYP.



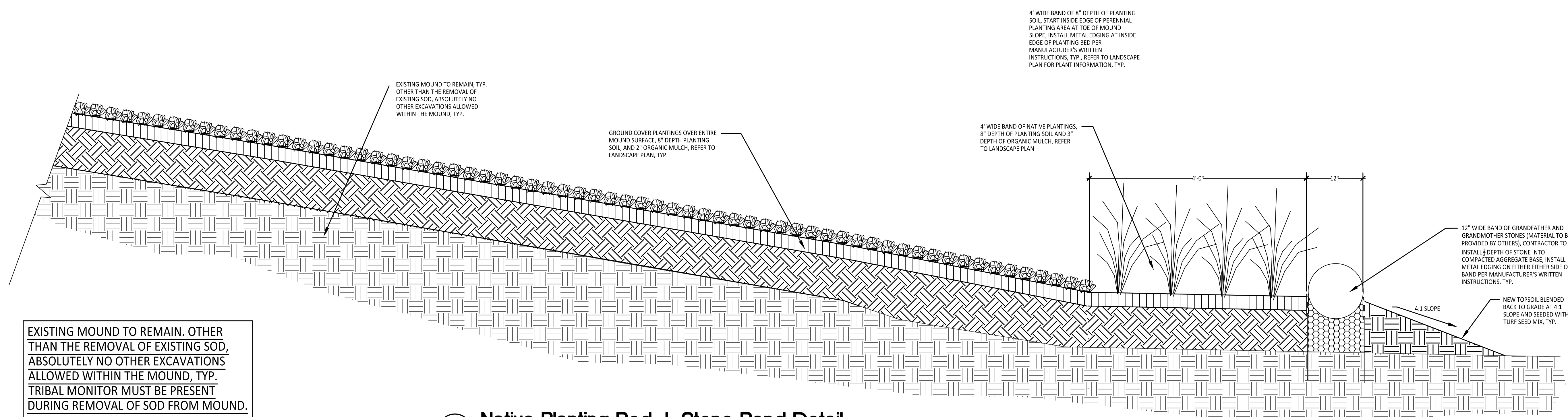
1 Interpretive Sign Detail
Not To Scale



4 Metal Edging Detail
Not To Scale



5 For Reference Only (By Others)
Not To Scale



EXISTING MOUND TO REMAIN. OTHER THAN THE REMOVAL OF EXISTING SOD, ABSOLUTELY NO OTHER EXCAVATIONS ALLOWED WITHIN THE MOUND, TYP. TRIBAL MONITOR MUST BE PRESENT DURING REMOVAL OF SOD FROM MOUND.

2 Native Planting Bed + Stone Band Detail
Not To Scale

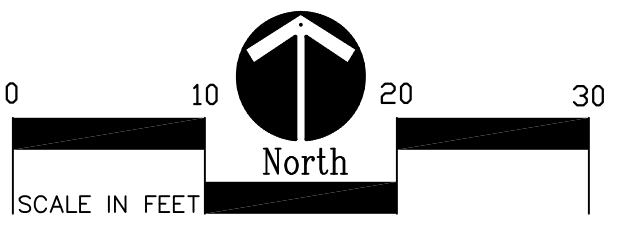
HARD COPY IS INTENDED TO BE 24"x36" WHEN PLOTTED. SCALE(S) INDICATED AND GRAPHIC QUALITY MAY NOT BE ACCURATE FOR ANY OTHER SIZES.

Issued For:	Date
ISSUE FOR RE-BID	02/17/22

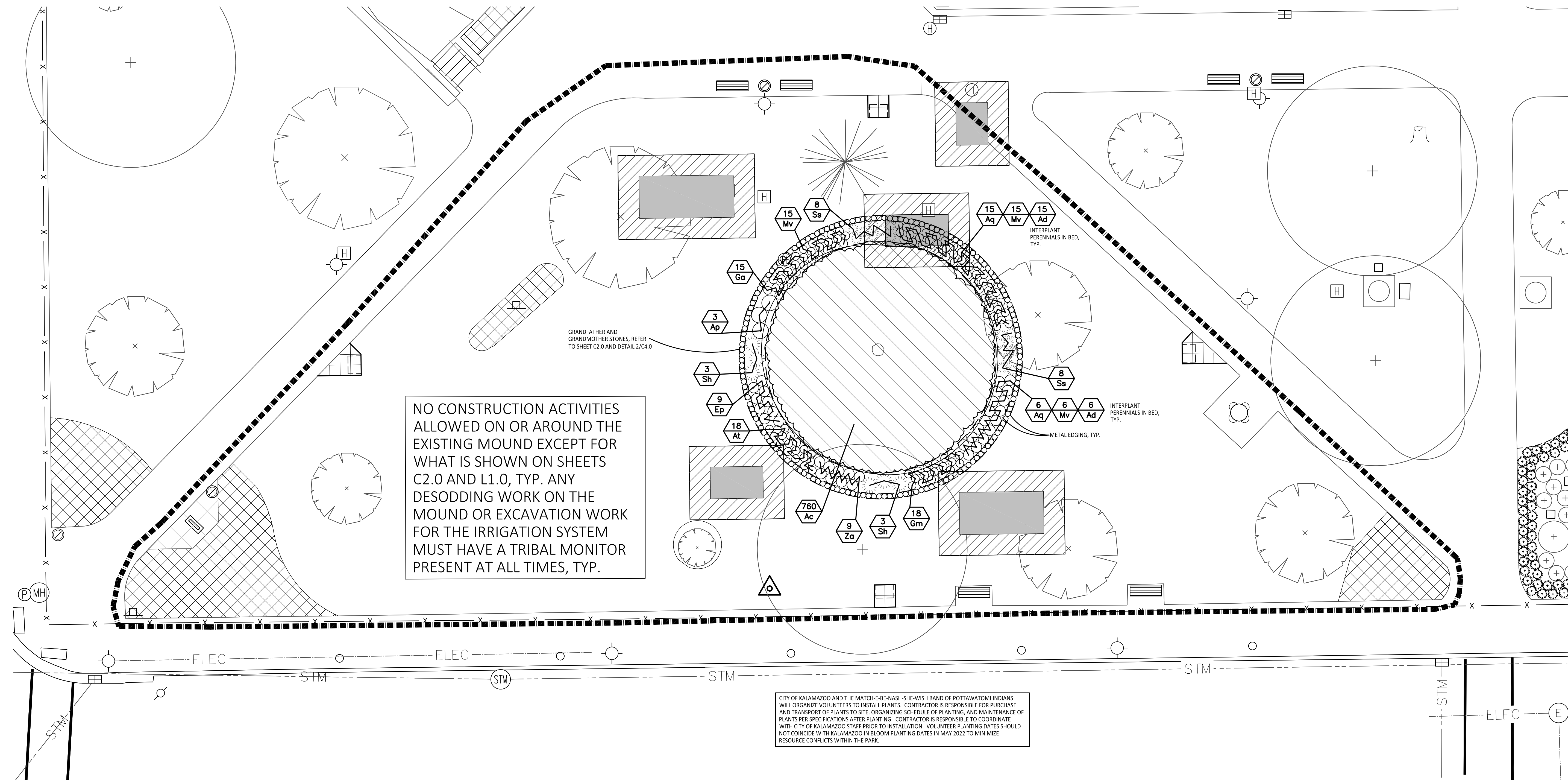
Project:
**The City of Kalamazoo
Bronson Park
Improvements Mound
Landscaping - Rebid**

Kalamazoo, MI
Sheet Title

Sheet Title



Job No. _____ Sheet No. _____



NO CONSTRUCTION ACTIVITIES ALLOWED ON OR AROUND THE EXISTING MOUND EXCEPT FOR WHAT IS SHOWN ON SHEETS C2.0 AND L1.0, TYP. ANY DESODDING WORK ON THE MOUND OR EXCAVATION WORK FOR THE IRRIGATION SYSTEM MUST HAVE A TRIBAL MONITOR PRESENT AT ALL TIMES, TYP.

CITY OF KALAMAZOO AND THE MATCH-E-BE-NASH-SHE-WISH BAND OF POTTAWATOMÍ INDIANS WILL ORGANIZE VOLUNTEERS TO INSTALL PLANTS. CONTRACTOR IS RESPONSIBLE FOR PURCHASE AND TRANSPORT OF PLANTS TO SITE, ORGANIZING SCHEDULE OF PLANTING, AND MAINTENANCE OF PLANTS PER SPECIFICATIONS AFTER PLANTING. CONTRACTOR IS RESPONSIBLE TO COORDINATE WITH CITY OF KALAMAZOO STAFF PRIOR TO INSTALLATION. VOLUNTEER PLANTING DATES SHOULD NOT COINCIDE WITH KALAMAZOO IN-BLOOM PLANTING DATES IN MAY 2022 TO MINIMIZE RESOURCE CONFLICTS WITHIN THE PARK.

HARD COPY IS INTENDED TO BE 24"x36" WHEN PLOTTED. SCALE(S) INDICATED AND GRAPHIC QUALITY MAY NOT BE ACCURATE FOR ANY OTHER SIZES.

Issued For: _____ Date _____
ISSUE FOR RE-BID _____ 02/17/22

PLANT LIST (SUBSTITUTIONS NOT ACCEPTABLE):

	SYM.	BOTANICAL NAME	COMMON NAME	SIZE	ROOT	COM.
PERENNIALS, GROUND COVERS	Ac	Asarum canadense	Wild Ginger	4" P.P.	Flat	12" O.C.
	Ad	Adiantum pedatum	Northern Maidenhair Fern	1 Gal.	Cont.	18" O.C.
	Ap	Asclepias purpurascens	Purple Milkweed	1 Gal.	Cont.	3" O.C.
	Aq	Aquilegia canadensis	Wild Columbine	1 Gal.	Cont.	18" O.C.
	At	Asclepias tuberosa	Butterfly Milkweed	1 Gal.	Cont.	18" O.C.
	Ep	Echinacea purpurea	Purple Coneflower	1 Gal.	Cont.	2" O.C.
	Ga	Gentiana alba	White Gentian	1 Gal.	Cont.	2" O.C.
	Gm	Geranium maculatum	Wild Geranium	1 Gal.	Cont.	18" O.C.
	Mv	Mertensia virginica	Virginia Bluebells	1 Gal.	Cont.	18" O.C.
	Za	Zizia aurea	Golden Alexander	1 Gal.	Cont.	2" O.C.
	ORNAMENTAL GRASSES	Sh	Sporobolus heterolepis	Prairie Dropseed	2 Gal.	Cont.
Ss		Schizachyrium scoparium	Little Bluestem	1 Gal.	Cont.	2' O.C.

PROPOSED FEATURES LEGEND:

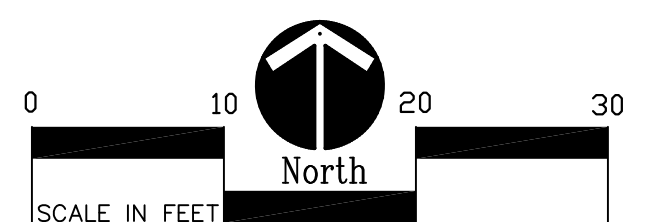
SYMBOL	DESCRIPTION	DETAIL
	ORNAMENTAL GRASSES	3 / C4.0
	PERENNIALS	3 / C4.0
	GROUND COVER	3 / C4.0
	ABSOLUTELY NO EXCAVATION, PARKING, OR STORAGE IN THIS SHADED AREA	
	MINIMAL WORK ALLOWED IN THIS AREA, BUT ONLY WITH PRIOR APPROVAL FROM OWNER AND WITH TRIBAL MONITOR PRESENT DURING ANY WORK.	
	PROPOSED BED LINE/ METAL EDGING	4 / C4.0
	LIMIT OF WORK	
	PLANT TAG - REFERS TO TYPE AND NUMBER OF PLANTINGS TO BE PROVIDED AND MAINTAINED BY CONTRACTOR.	

LANDSCAPE NOTES:

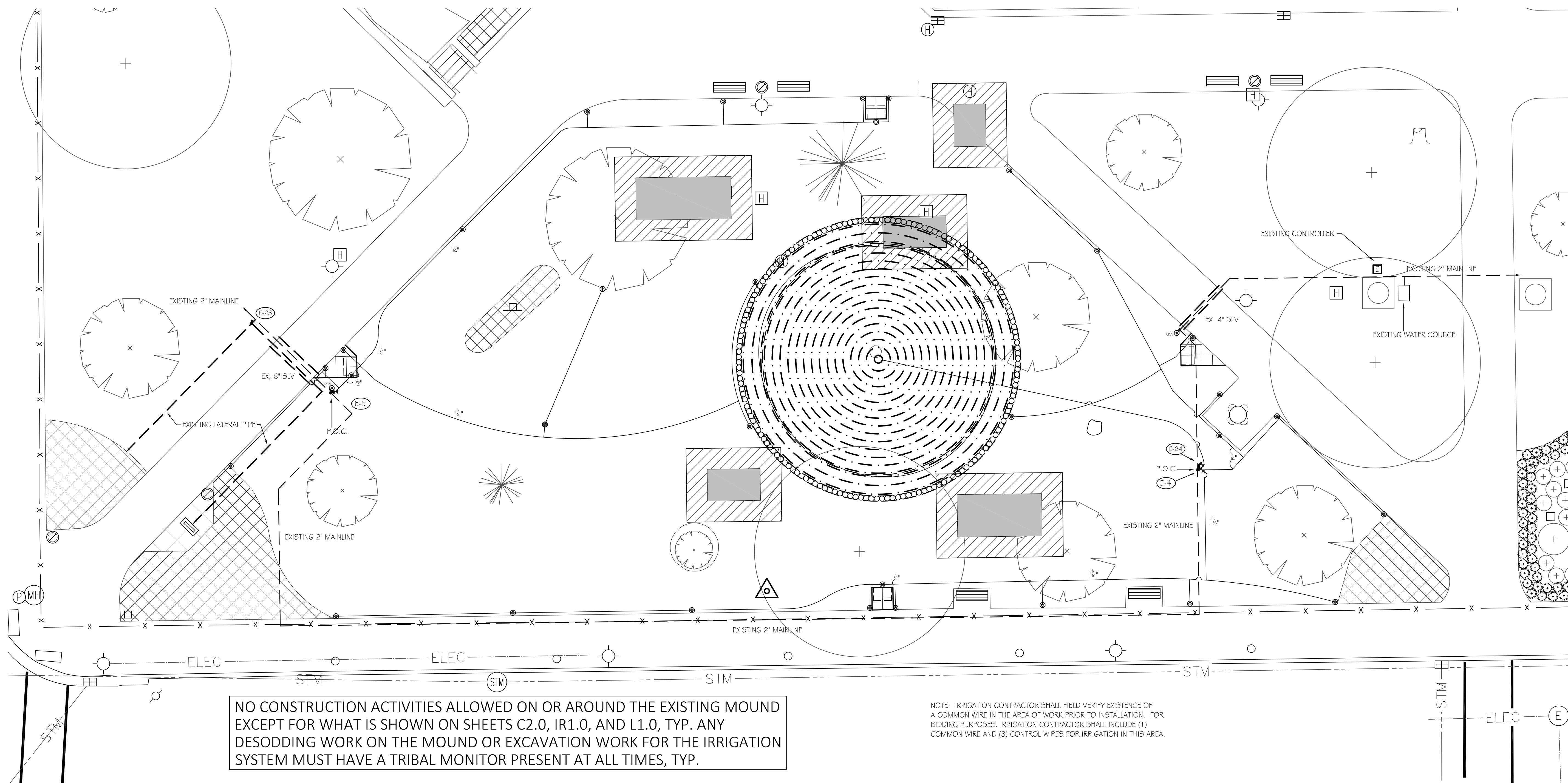
- SURVEY OF EXISTING CONDITIONS PROVIDED BY PREIN & NEWHOF INC. 7123 STADIUM DRIVE, KALAMAZOO MI, 49009 Ph: 269-372-1158
- CALL "MISS DIG" AND VERIFY ALL UNDERGROUND UTILITIES PRIOR TO BEGINNING WORK. 72 HOURS BEFORE YOU DIG CALL "MISS DIG" AT 1-800-482-7171. ANY UTILITIES DISTURBED BY CONSTRUCTION SHALL BE REPAIRED AT CONTRACTOR'S EXPENSE.
- ANY DISCREPANCIES BETWEEN THESE PLANS AND ACTUAL FIELD CONDITIONS SHOULD BE REPORTED TO THE CONSTRUCTION MANAGER IMMEDIATELY FOR RESOLUTION.
- IN AREAS OF NEW TURF PLACE 4" MINIMUM TOPSOIL, FINE GRADE & ESTABLISH TURF WITHIN SEED LIMIT LINES.
- PLACE SHREDDED HARDWOOD MULCH TO A 3" DEPTH IN ALL TREE & SHRUB BEDS & TO A 2" DEPTH IN ALL GROUND COVER BEDS.
- UNLESS OTHERWISE NOTED, TOPSOIL, FINE GRADE AND SEED ALL DISTURBED AREAS WITHIN THE SEEDING LIMIT SHOWN AND AREAS DISTURBED BY CONSTRUCTION.
- REPAIR AND RESTORE ANY DAMAGE OUTSIDE OF LIMIT OF WORK LINE TO ORIGINAL CONDITION.
- PROTECT ALL TREES AND EXISTING FEATURES TO REMAIN AS SPECIFIED.
- ALL TOPSOIL AND EXCESS FILL MATERIAL SHALL BE STOCKPILED ON SITE SEPARATELY FOR LATER RE-USE. LOCATE STOCKPILES IN AREAS AS DIRECTED BY CONSTRUCTION MANAGER AND PROTECT FROM EFFECTS OF EROSION.
- LANDSCAPE CONTRACTOR IS RESPONSIBLE FOR IRRIGATION SCHEDULING FOR THE ENTIRE MAINTENANCE PERIOD UNLESS OTHERWISE NOTED.
- SEE IRRIGATION PLANS SHEETS IRR. FOR DETAILED IRRIGATION DESIGN.
- CONTRACTOR RESPONSIBLE TO LOCATE SITE LIGHTING SERVICES. CONTRACTOR RESPONSIBLE TO NOTIFY CONSTRUCTION MANAGER IF DAMAGE TO LIGHTING ELECTRICAL DISTRIBUTION OCCURS.
- THE MATCH-E-BE-NASH-SHE-WISH BAND OF POTTAWATOMÍ INDIANS WILL PERFORM A BLESSING CEREMONY ON THE SITE PRIOR TO ANY CONSTRUCTION. CONTRACTOR IS RESPONSIBLE FOR COORDINATING CONSTRUCTION SCHEDULE WITH OWNER AND LANDSCAPE ARCHITECT PRIOR TO START OF CONSTRUCTION.
- NO CONSTRUCTION SHALL OCCUR DURING THE WEEKEND OF JUNE 4, 2022. EXACT CLOSURE DATES TO BE COORDINATED WITH THE CITY OF KALAMAZOO. ALL CONSTRUCTION WORK MUST BE STOPPED WITH NO EXPOSED UTILITY TRENCHES, HOLES, OR OTHER TRIPPING HAZARDS FOR PEDESTRIANS. THE MOUND MUST BE SECURED WITH ORANGE SNOWFENCING AND SIGNAGE SECURED TO THE FENCING. CITY OF KALAMAZOO TO PROVIDE SIGNAGE.

Project:
**The City of Kalamazoo
Bronson Park
Improvements Mound
Landscaping - Rebid**

Kalamazoo, MI
Sheet Title
**Site Landscape
Plan**



Job No. _____ Sheet No. _____



NO CONSTRUCTION ACTIVITIES ALLOWED ON OR AROUND THE EXISTING MOUND EXCEPT FOR WHAT IS SHOWN ON SHEETS C2.0, IR1.0, AND L1.0, TYP. ANY DESODDING WORK ON THE MOUND OR EXCAVATION WORK FOR THE IRRIGATION SYSTEM MUST HAVE A TRIBAL MONITOR PRESENT AT ALL TIMES, TYP.

NOTE: IRRIGATION CONTRACTOR SHALL FIELD VERIFY EXISTENCE OF A COMMON WIRE IN THE AREA OF WORK PRIOR TO INSTALLATION. FOR BIDDING PURPOSES, IRRIGATION CONTRACTOR SHALL INCLUDE (1) COMMON WIRE AND (3) CONTROL WIRES FOR IRRIGATION IN THIS AREA.

HARD COPY IS INTENDED TO BE 24"X36" WHEN PLOTTED. SCALE(S) INDICATED AND GRAPHIC QUALITY MAY NOT BE ACCURATE FOR ANY OTHER SIZES.

Issued For:	Date
ISSUE FOR RE-BID	02/17/22

LEGEND

•••••	570Z-12P	10'-MPR SERIES	TORO FIXED SPRAY POP-UP (12')
•••••	570Z-12P	12'-MPR SERIES	TORO FIXED SPRAY POP-UP (12')
•••••	570Z-12P	15'-MPR SERIES	TORO FIXED SPRAY POP-UP (12')
•	570Z-12P	TVAN-12 NOZZLE	TORO FIXED SPRAY POP-UP (12')
•	570Z-12P	TVAN-15 NOZZLE	TORO FIXED SPRAY POP-UP (12')
⊙	T5PCK (P/C)	#1.5 LOW ANGLE NOZZLE	TORO GEAR DRIVEN ROTARY POP-UP
⊕	T5PCK (F/C)	#3.0 LOW ANGLE NOZZLE	TORO GEAR DRIVEN ROTARY POP-UP
⊙	T5PCK (P/C)	#3.0 NOZZLE	TORO GEAR DRIVEN ROTARY POP-UP
•	T5PCK (F/C)	#6.0 NOZZLE	TORO GEAR DRIVEN ROTARY POP-UP
⊙	474-00		TORO 1" QUICK COUPLER VALVE W/ (1) KEY AND HOSE SWIVEL
⚡	2400TF		IRRITROL 1" ELECTRIC VALVE
⚡	252-26-06		TORO 1-1/2" ELECTRIC VALVE
⊠			EXISTING 24 STATION PEDESTAL MOUNTED CONTROLLER
—		SDR 26 CLASS 160 PVC PIPE (ALL PIPE 1-1/2" AND LARGER)	
—		100# POLYETHYLENE PIPE (PE-3408 NSF APPROVED) (ALL PIPE DOWNSTREAM OF VALVE 1-1/4" AND SMALLER EXCEPT FOR DRIP PIPE)	
NOT SHOWN	#14 UL APPROVED 24V RED CONTROL WIRE WITH A #14 UL APPROVED WHITE COMMON WIRE		
•		POINT OF CONNECTION (P.O.C.)	
—	TLCV4-18XXX		NETAFIM .4 GPH CV DRIP PIPE
—	TLCXXX		NETAFIM CV BLANK TUBING (AS SUPPLY # EXHAUST HEADERS)

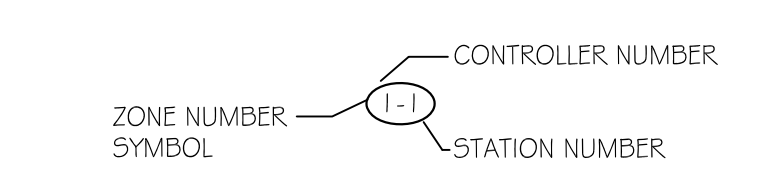
NOT SHOWN	PRV075HF45V2K	NETAFIM 3/4" PRESSURE REGULATOR
NOT SHOWN	DF075-140	NETAFIM 3/4" FILTER
NOT SHOWN	TLO50MFV-1	NETAFIM LINE-FLUSHING VALVE
NOT SHOWN	10-CV-01	NETAFIM OPERATION/PRESSURE INDICATOR STAKE

GENERAL NOTES:

- COORDINATE THIS WORK WITH ALL OTHER TRADES.
- ALL PLUMBING AND ELECTRICAL SHALL BE INSTALLED ACCORDING TO STATE AND LOCAL CODES.
- ALL SLEEVES ARE EXISTING.
- ALL PIPE NOT SIZED DOWNSTREAM OF VALVE IS 1" EXCEPT DRIP PIPE.
- IRRIGATION CONTRACTOR'S POINT OF CONNECTION SHALL BE ON EXISTING 2" MAINLINE AT THE LOCATIONS SHOWN.
- IRRIGATION CONTRACTOR SHALL ADJUST THE FLOW CONTROL FEATURE ON ALL ELECTRIC VALVES PER THE MANUFACTURER'S RECOMMENDATIONS TO MAXIMIZE THE VALVES PERFORMANCE AND LONGEVITY.
- IF SITE PRESSURE IS NOT ADEQUATE, A BOOSTER PUMP AND RELATED EQUIPMENT MAY BE REQUIRED AT ADDITIONAL COST TO OWNER.
- IRRIGATION PIPE AND EQUIPMENT SHOWN IN PAVED AREAS IS FOR CLARITY ONLY AND SHALL BE INSTALLED WITHIN THE TURF & LANDSCAPE AREAS.
- PIPE ROUTING IS DIAGRAMMATIC. ALL EQUIPMENT AND PIPE ARE TO BE FIELD ADJUSTED TO TAKE INTO CONSIDERATION ANY OBSTRUCTIONS AND ALL LANDSCAPE.
- ANY EXCAVATION WORK FOR THE IRRIGATION SYSTEM MUST HAVE A TRIBAL MONITOR PRESENT AT ALL TIMES.
- NOTE: ALL REFERENCES TO EXISTING IRRIGATION SYSTEMS AND THEIR COMPONENTS ARE BASED ON ORIGINAL BID DOCUMENTS AND AS-BUILTS (IF AVAILABLE). IRRIGATION CONTRACTOR SHALL FAMILIARIZE THEMSELVES WITH EXISTING IRRIGATION SYSTEM(S) PRIOR TO INSTALLATION OF ANY NEW IRRIGATION.

WATER REQUIREMENTS: 36 GPM @ CURRENT SYSTEM PSI.

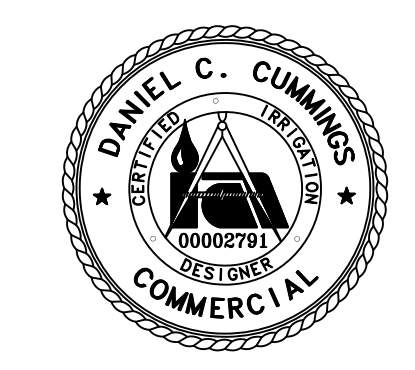
ZONE NUMBER	VALVE SIZE	GPM	ZONE TYPE
E-4	1-1/2"	36	TURF ROTORS
E-5	1-1/2"	36	TURF ROTORS
E-24	1"	7	LANDSCAPE DRIP



(E-24)
APPROXIMATELY 1510' OF TLCV4-18XXX CV DRIP PIPE AND 251' OF TLCXXX BLANK TUBING
(1) PRV075HF45V2K
(1) DF075-140
(1) TLO50MFV-1
(1) 10-F-01

ABSOLUTELY NO EXCAVATION, PARKING, OR STORAGE IN THIS SHADED AREA

MINIMAL WORK ALLOWED IN THIS AREA, BUT ONLY WITH PRIOR APPROVAL FROM OWNER AND WITH TRIBAL MONITOR PRESENT DURING ANY WORK.



Know what's below.
Call before you dig.

THIS DESIGN IS BASED ON INFORMATION PROVIDED BY THE ARCHITECT AND/OR OWNER WHO ASSUMES FULL RESPONSIBILITY FOR ITS CORRECTNESS.

TORO
Spartan Distributors

487 W. Division St.
Sparta, MI 49345
Ph: 616.887.7301
Fax: 616.887.6288

1050 Opdyke Road
Auburn Hills, MI 48326
Ph: 248.373.8800
Fax: 248.373.8899

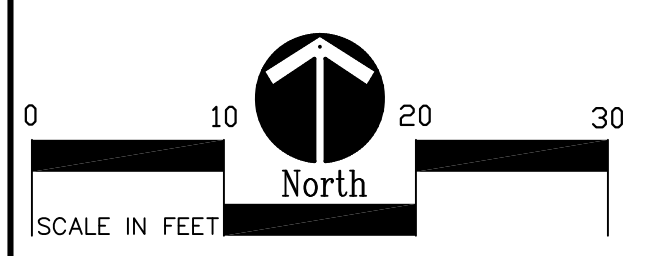
800.822.2216

Design By: CUMMINGS, C.I.D.
Plan #: 21-053C
Date: 5-26-21 PRELIMINARY
7/14/21

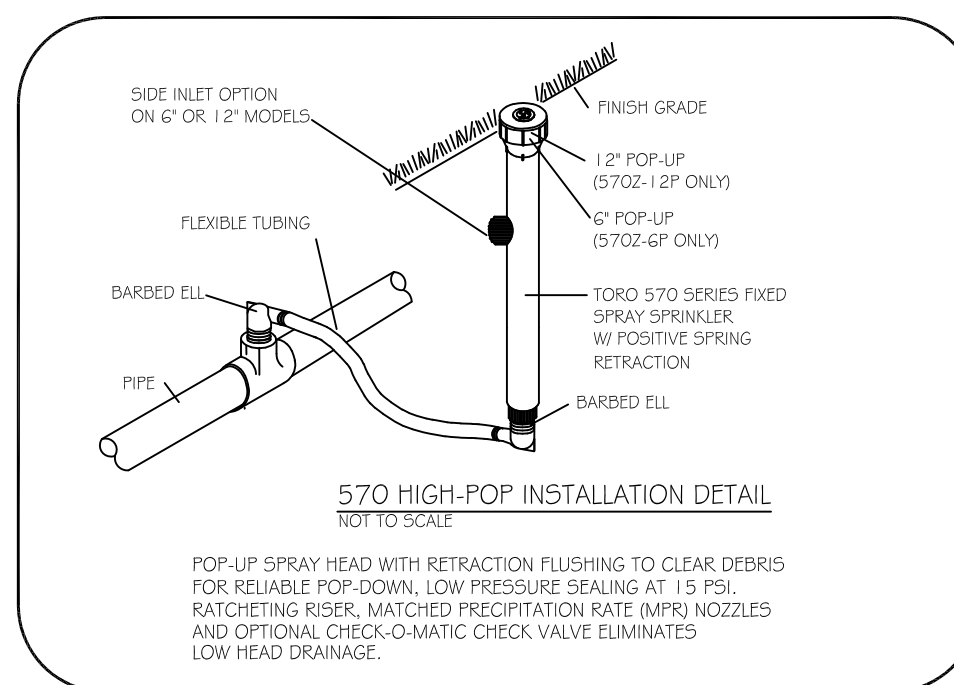
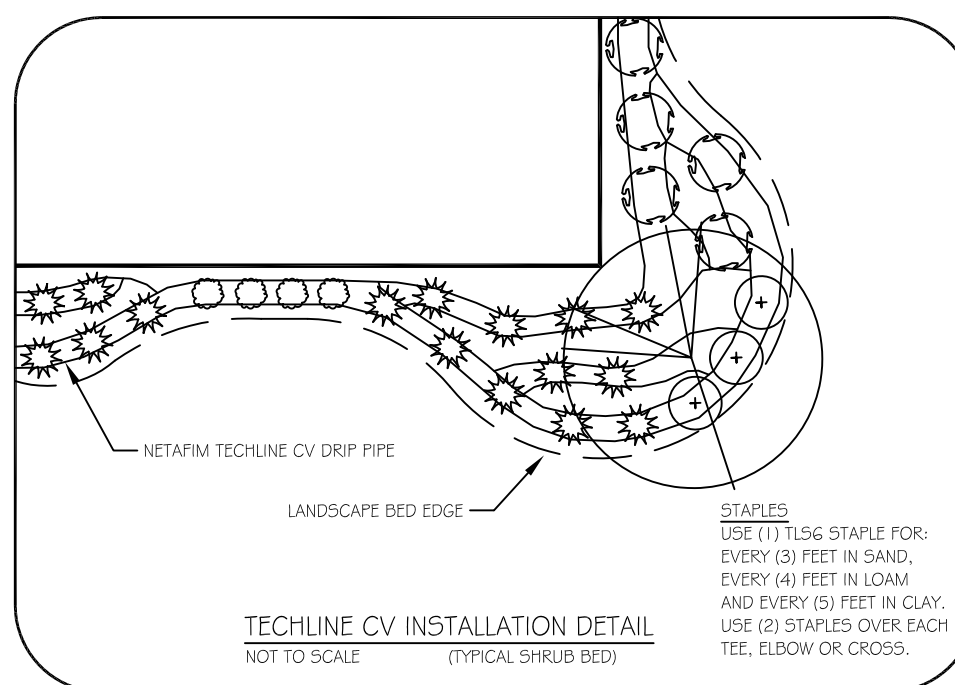
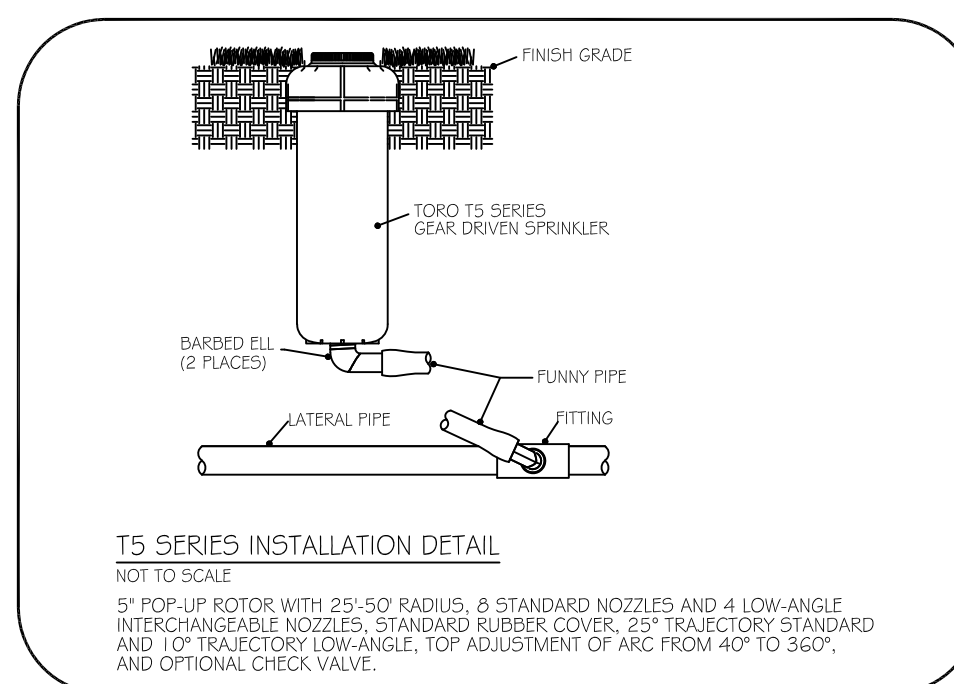
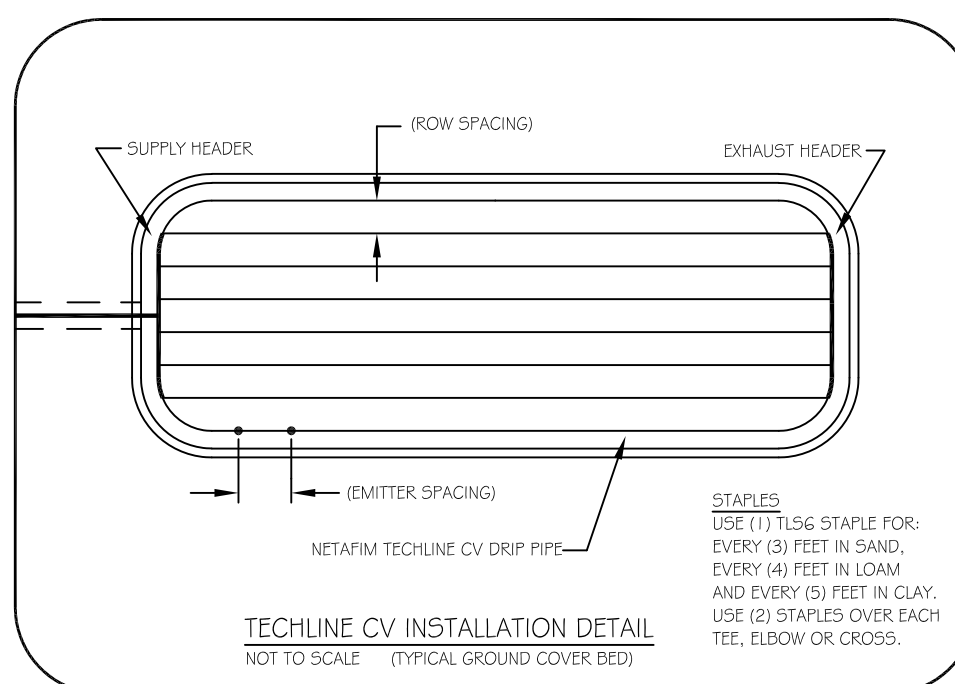
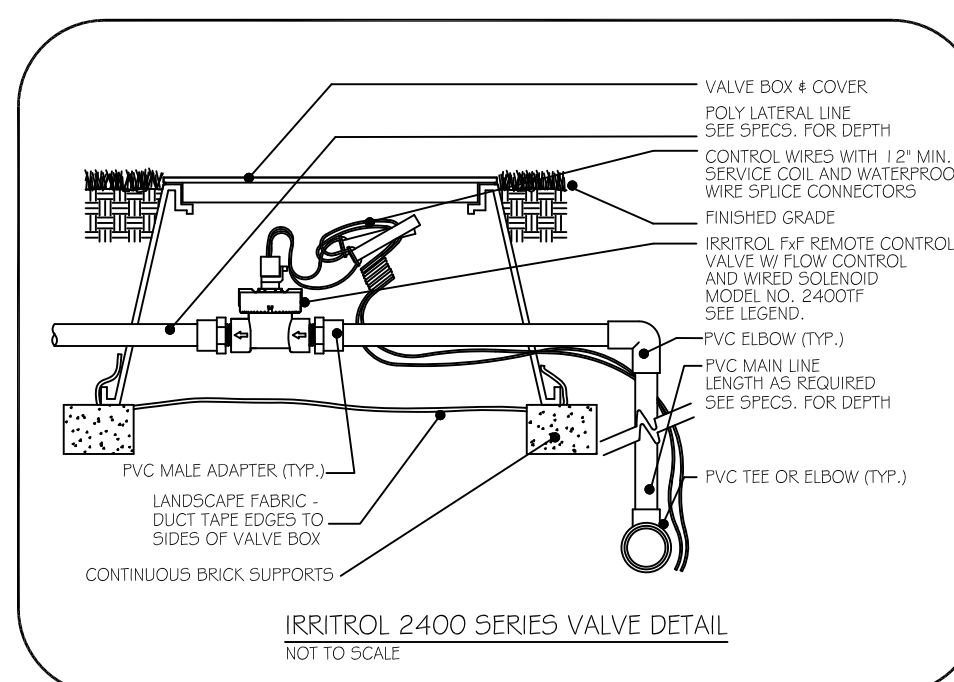
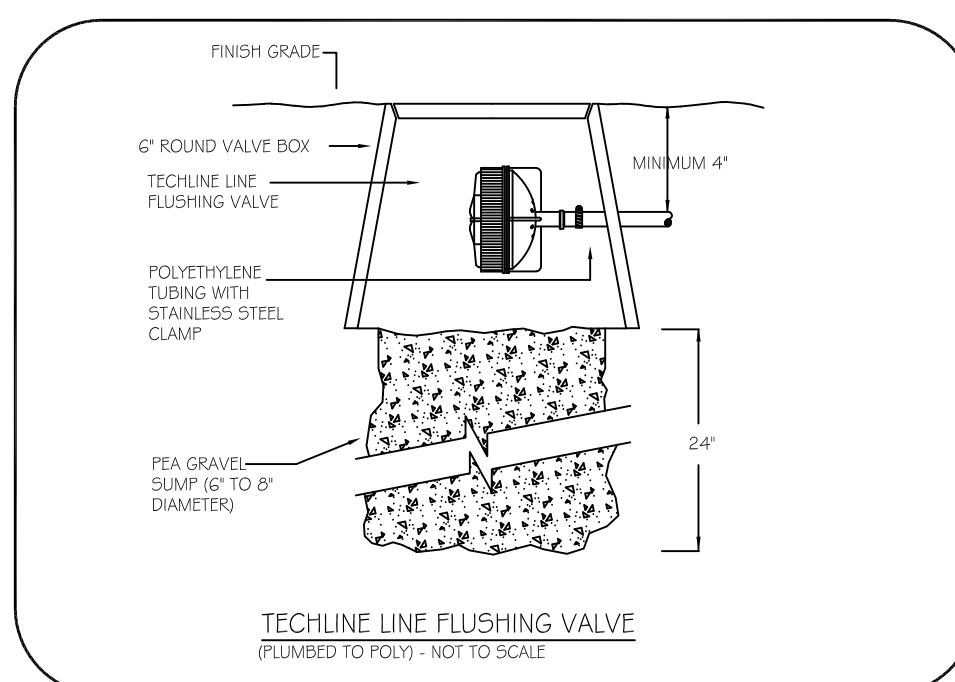
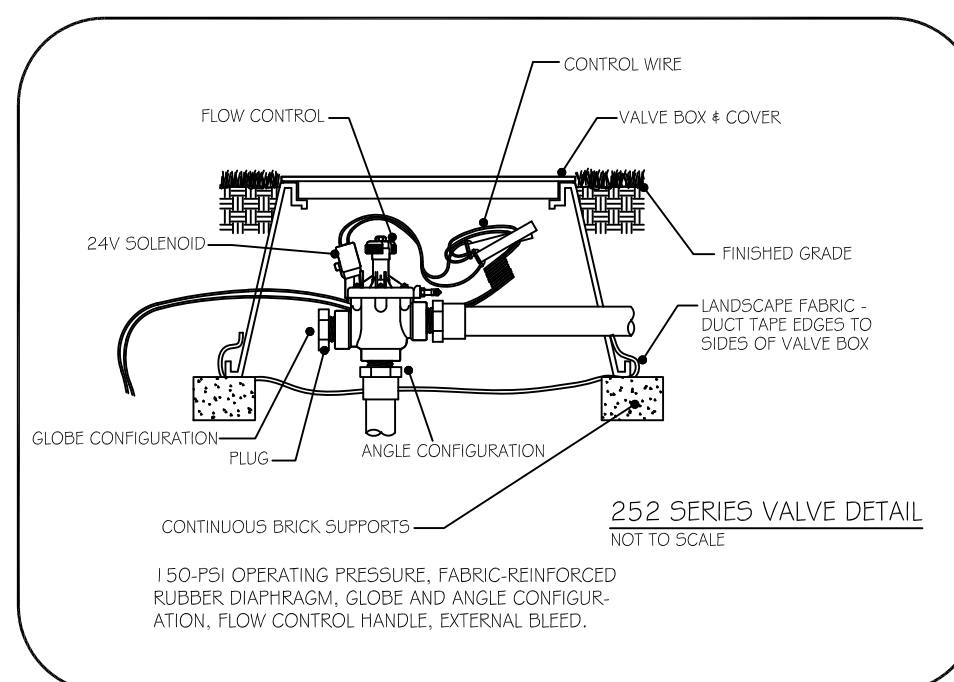
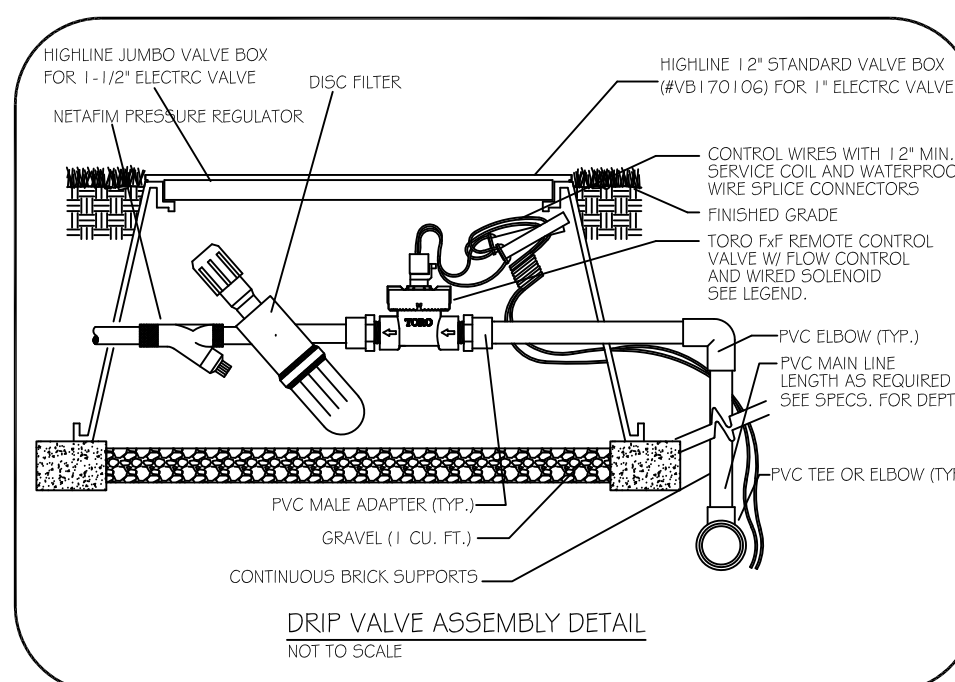
Revisions:

Project:
**The City of Kalamazoo
Bronson Park
Improvements Mound
Landscaping - Rebid**

Kalamazoo, MI
Sheet Title
Site Irrigation Plan



Job No. **52104** Sheet No. **IR1.0**



LEGEND

•••••	570Z-1 2P	10-MPR SERIES	TORO FIXED SPRAY POP-UP (1 1/2")
•••••	570Z-2 2P	12-MPR SERIES	TORO FIXED SPRAY POP-UP (1 1/2")
•••••	570Z-3 2P	15-MPR SERIES	TORO FIXED SPRAY POP-UP (1 1/2")
•	570Z-1 2P	TVAN-1 2 NOZZLE	TORO FIXED SPRAY POP-UP (1 1/2")
•	570Z-2 2P	TVAN-1 5 NOZZLE	TORO FIXED SPRAY POP-UP (1 1/2")
⊕	T5PCK (P/C)	#1.5 LOW ANGLE NOZZLE	TORO GEAR DRIVEN ROTARY POP-UP
⊕	T5PCK (P/C)	#3.0 LOW ANGLE NOZZLE	TORO GEAR DRIVEN ROTARY POP-UP
⊕	T5PCK (P/C)	#3.0 NOZZLE	TORO GEAR DRIVEN ROTARY POP-UP
⊕	T5PCK (P/C)	#6.0 NOZZLE	TORO GEAR DRIVEN ROTARY POP-UP
⊕	474-00		TORO 1" QUICK COUPLER VALVE W/ (1) KEY AND HOSE SWIVEL
⚡	2400TF		IRRITROL 1" ELECTRIC VALVE
⚡	252-26-06		TORO 1-1/2" ELECTRIC VALVE

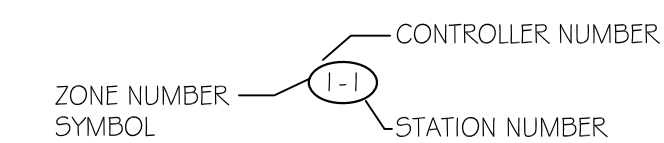
- EXISTING 24 STATION PEDESTAL MOUNTED CONTROLLER
- SDR 26 CLASS 1 60 PVC PIPE (ALL PIPE 1-1/2" AND LARGER)
- 1 00# POLYETHYLENE PIPE (PE-3406 NSF APPROVED) (ALL PIPE DOWNSTREAM OF VALVE 1-1/4" AND SMALLER EXCEPT FOR DRIP PIPE)
- NOT SHOWN #14 UL APPROVED 24V RED CONTROL WIRE WITH A #14 UL APPROVED WHITE COMMON WIRE
- POINT OF CONNECTION (P.O.C.)
- TLCV4-1 8XXX NETAFIM .4 GPH CV DRIP PIPE
- TLCVXXX NETAFIM CV BLANK TUBING (AS SUPPLY & EXHAUST HEADERS)
- NOT SHOWN PRV075HF45V2K NETAFIM 3/4" PRESSURE REGULATOR
- NOT SHOWN DF075-140 NETAFIM 3/4" FILTER
- NOT SHOWN TL050MFV-1 NETAFIM LINE-FLUSHING VALVE
- NOT SHOWN 10-CV-01 NETAFIM OPERATION/PRESSURE INDICATOR STAKE

GENERAL NOTES:

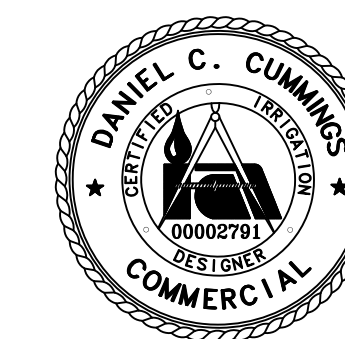
1. COORDINATE THIS WORK WITH ALL OTHER TRADES.
2. ALL PLUMBING AND ELECTRICAL SHALL BE INSTALLED ACCORDING TO STATE AND LOCAL CODES.
3. ALL SLEEVES ARE EXISTING.
4. ALL PIPE NOT SIZED DOWNSTREAM OF VALVE IS 1" EXCEPT DRIP PIPE.
5. IRRIGATION CONTRACTOR'S POINT OF CONNECTION SHALL BE ON EXISTING 2" MAINLINE AT THE LOCATIONS SHOWN.
6. IRRIGATION CONTRACTOR SHALL ADJUST THE FLOW CONTROL FEATURE ON ALL ELECTRIC VALVES PER THE MANUFACTURER'S RECOMMENDATIONS TO MAXIMIZE THE VALVES PERFORMANCE AND LONGEVITY.
7. IF SITE PRESSURE IS NOT ADEQUATE, A BOOSTER PUMP AND RELATED EQUIPMENT MAY BE REQUIRED AT ADDITIONAL COST TO OWNER.
8. IRRIGATION PIPE AND EQUIPMENT SHOWN IN PAVED AREAS IS FOR CLARITY ONLY AND SHALL BE INSTALLED WITHIN THE TURF & LANDSCAPE AREAS.
9. PIPE ROUTING IS DIAGRAMMATIC. ALL EQUIPMENT AND PIPE ARE TO BE FIELD ADJUSTED TO TAKE INTO CONSIDERATION ANY OBSTRUCTIONS AND ALL LANDSCAPE.
10. ANY EXCAVATION WORK FOR THE IRRIGATION SYSTEM MUST HAVE A TRIBAL MONITOR PRESENT AT ALL TIMES.
11. NOTE: ALL REFERENCES TO EXISTING IRRIGATION SYSTEMS AND THEIR COMPONENTS ARE BASED ON ORIGINAL BID DOCUMENTS AND AS-BUILTS (IF AVAILABLE). IRRIGATION CONTRACTOR SHALL FAMILIARIZE THEMSELVES WITH EXISTING IRRIGATION SYSTEM(S) PRIOR TO INSTALLATION OF ANY NEW IRRIGATION.

WATER REQUIREMENTS: 36 GPM @ CURRENT SYSTEM PSI.

ZONE NUMBER	VALVE SIZE	GPM	ZONE TYPE
E-4	1-1/2"	36	TURF ROTORS
E-5	1-1/2"	36	TURF ROTORS
E-24	1"	7	LANDSCAPE DRIP



(E-24)
APPROXIMATELY 1510' OF TLCV4-1 8XXX CV DRIP PIPE AND 25' OF TLCVXXX BLANK TUBING
(1) PRV075HF45V2K
(1) DF075-140
(1) TL050MFV-1
(1) 10-F-01



Know what's below.
Call before you dig.

THIS DESIGN IS BASED ON INFORMATION PROVIDED BY THE ARCHITECT AND/OR OWNER WHO ASSUMES FULL RESPONSIBILITY FOR ITS CORRECTNESS.

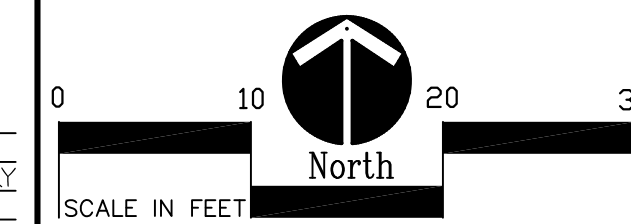
HARD COPY IS INTENDED TO BE 24"x36" WHEN PLOTTED. SCALE(S) INDICATED AND GRAPHIC QUALITY MAY NOT BE ACCURATE FOR ANY OTHER SIZES.

Issued For:	Date
ISSUE FOR RE-BID	02/17/22

Project:
**The City of Kalamazoo
Bronson Park
Improvements Mound
Landscaping - Rebid**

Kalamazoo, MI

Sheet Title
Irrigation Details



Job No. _____ Sheet No. _____

52104

IR1.1



Spartan Distributors

487 W. Division St.
Sparta, MI 49345
Ph: 616.887.7301
Fax: 616.887.6288

1050 Opdyke Road
Auburn Hills, MI 48326
Ph: 248.373.8800
Fax: 248.373.8899

800.822.2216

Design By: CUMMINGS, C.I.D.
Plan #: 21-053C
Date: 5-26-21 PRELIMINARY
7/14/21

Revisions:
